



AD motion

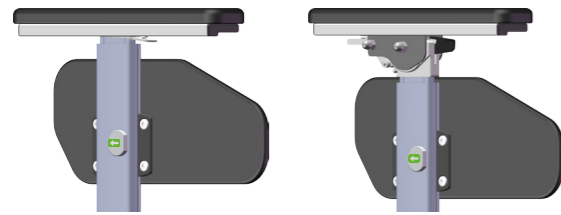
HD motion

HD Motion is an all-new comfort wheelchair for children and youth and their individual needs.

With two chassis widths, two chassis lengths, and many convenient adjustments HD Motion can easily adapt to different body types and sizes.

HD Motion is built for an active lifestyle and the daily challenge of performing both indoors and outdoors.

ARMRESTS



Armrests are easy to place and to remove, and can be adjusted in height and depth without tools. Low and angle-adjustable armrest models are available.

LEG RESTS



Two alternate legrests are available, separate and one-piece. The knee joints of the legrests can be adjusted in depth. Both models can be angled 80° to 140°.

COLOURS

HD Motion is available in three different colours for frame components: Metallic grey, green, and orange.



EASY TO WORK WITH

Well-balanced and easy to manoeuvre. Convenient placement of tilt and recline levers.

ADJUSTABLE SEAT WIDTH



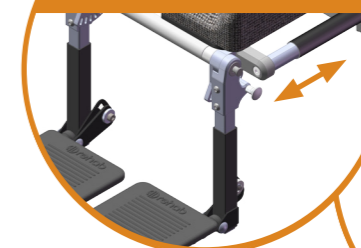
FLEXI BACK



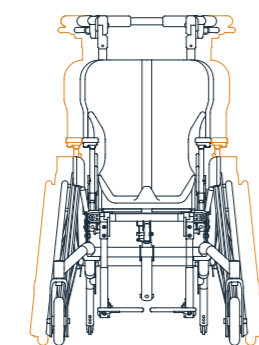
MANY CONFIGURATIONS

- 2 chassis widths
- 2 chassis lengths
- 3 backrest lengths
- 3 drive wheel positions

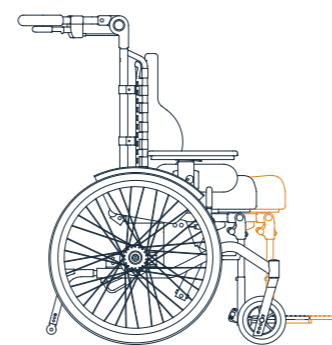
KNEE JOINT ADJUSTMENT



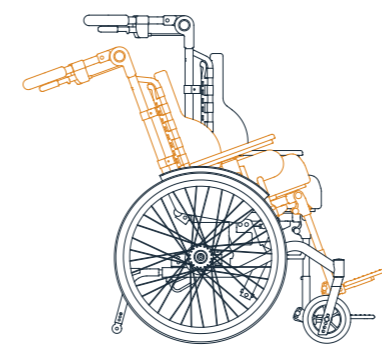
ADJUSTABLE PUSH BAR



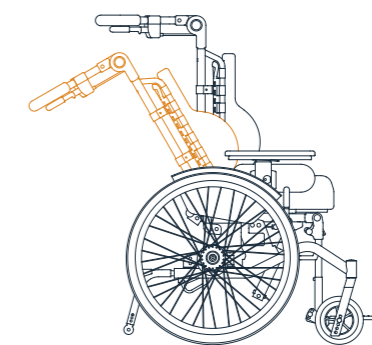
Seat width (2 chassis)
28-32 cm or 32-36 cm



Seat depth (2 chassis)
33,5-40 cm or 42,5-49 cm



Seat tilt
0° - 30°



Back recline
90° - 120°

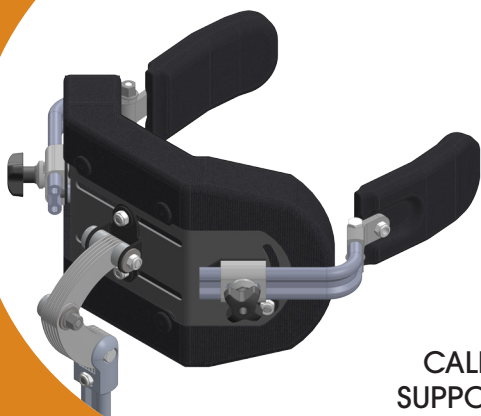




ACCESSORIES

A selection of accessories. More accessories are coming soon.

HEADREST



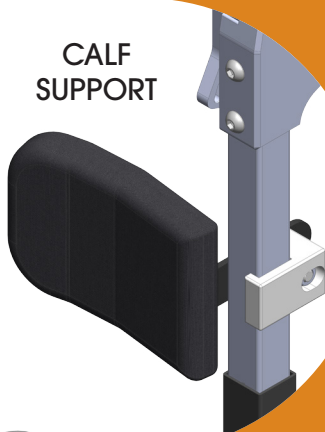
POMMEL



THORACIC SUPPORT



CALF SUPPORT



TRAY TABLE



Seat width sw30	28-32 cm
Seat width sw34	32-36 cm
Seat depth K (w/o cushions)	33,5 - 40 cm
Seat depth L (w/o cushions)	42,5 - 49 cm
Seat height, 16"/22" wheels	42 cm
Back recline	90 - 120°
Seat tilt	0 - 30°
Leg rest angle	80 - 140°
Max user weight	75 kg



Made in
Sweden

HD rehab

www.hdrehab.se · info@hdrehab.se · 08 - 767 04 80