

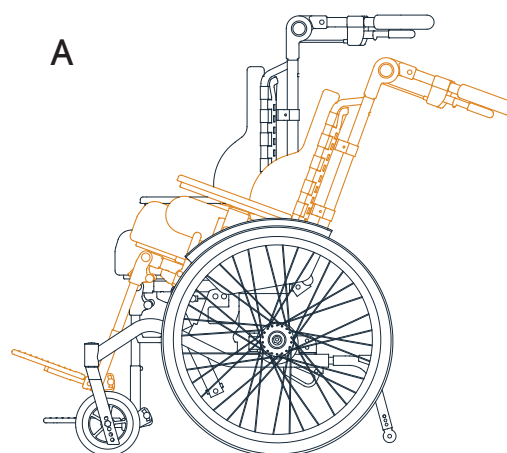
Seat tilt and Back recline

HD Motion has controls for seat tilt and back recline conveniently placed on the push bar. They are coloured green for seat tilt and grey for back recline. Gas springs assist both seat tilt and back recline.

Seat tilt

HD Motion has a standard seat tilt of 0-30 degrees (A).

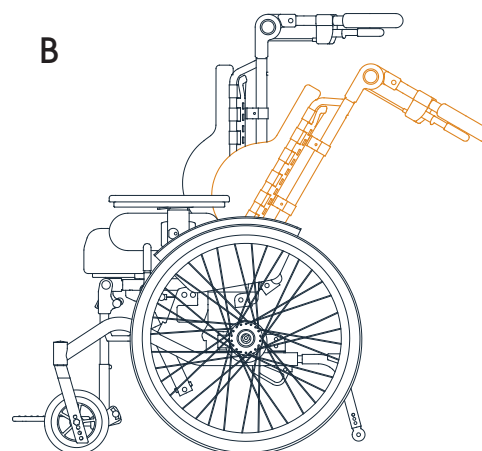
It is possible to modify the seat tilt forward, -5 degrees, for example to facilitate transferring out of the wheelchair (B). The tilt range is then -5° - 25°. Information on modifying for forward tilt is found in *Technical Information*, doc.nr. 96720-1.



Back recline

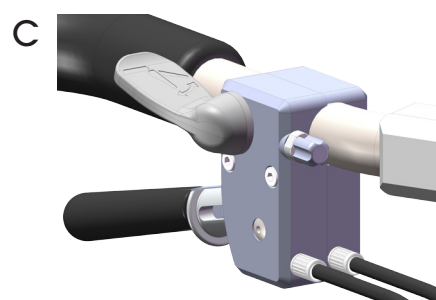
HD Motion has a standard back recline of 90-120 degrees (B).

If needed a fixed back angle can be selected, for example after an operation where the user needs a particular position for the back or hips. The gas spring is then replaced with a rod. The rod is adjustable to set a back angle between 90-105 degrees (tools required). Information on replacing the gas spring with the rod is found in *Technical Information*, doc.nr. 96720-1.



It is also possible to lock the back recline at a particular angle with a lock which is mounted at the controls (C).

Existing wheelchairs can be equipped with lockable recline angle. See the Assembly instructions *Lockable recline angle*, doc.nr. 96816-1.



Keep in mind

- Increased forward tilt increases the risk of sliding forward in the wheelchair.