

Seat height

An individual risk assessment must be completed for alternative configurations of HD Motion wheelchairs. Determine if tipping and/or pinching risks increase due to the modifications. If there is an elevated risk it must be determined if the alternative configuration is nonetheless warranted. Be sure to inform all concerned parties about all risks.

Refer to Risk Information, doc.nr. 96711-1. Read this document before ordering an alternative configuration.

HD Motion 22

HD Motion 22 has a standard seat height of 42 cm, measured from the floor to the seat plate. The wheelchair can be raised 3 cm or 5 cm with adapters (A). The seat height can also be raised or lowered by changing drive wheels. 24" drive wheels are used if the seat is to be raised and 20" drive wheels are used if the seat is to be lowered. See measurements in Table 1.

Note: Specific tip protectors are required if the drive wheel size is changed, see Technical Information.

Adapters in combination with 24" drive wheels give a very large increase in seat height which in some configurations (max seat width) can create conflicts. Wheel mounts without cambering are recommended in this case.

HD Motion 16

HD Motion 16 has a standard seat height of 42 cm, measured from the floor to the seat plate. The wheelchair can be raised 3 cm or 5 cm with adapters (A). See measurements in Table 1.

A



Height adapter 3 cm



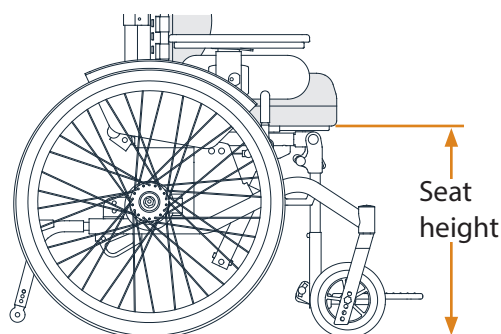
Height adapter 5 cm

Seat height measurement

Seat height is listed in Table 1. With original HD Motion seat cushions the seat height increases by 4,5 cm.

Table 1 - Seat height, floor to seat plate [cm]

	HD Motion 22	HD Motion 16
Standard	42	42
Height adapter 3 cm	45	45
Height adapter 5 cm	47	47
24" drive wheels	45	-
20" drive wheels	40	-



Keep in mind

- Changing of height adapters and drive wheels must always be done by qualified technicians.
- Changing to 20" drive wheels and 125 mm castors affects driving characteristics, particularly outdoors.
- Raising the seat makes raises the centre of gravity of the wheelchair, which increases tipping risk, particularly on sloped surfaces.
- Raising the seat also affects the lateral stability of the wheelchair.
- Raising the seat may limit the possibility to come in under tables.
- Height adapters are supplied with a label on the outside to indicate that important information should be noted. See Risk Information, document number 96711-1

Article Numbers

All article numbers are included in the Ordering Guide, document number 96750-1.