

When positioning a user thoracic support can be used to improve the user's posture and balance, to give stability in sitting, and to prevent the user from leaning to the side.

There are two variants of thoracic support for HD Motion, Thoracic Support Standard (A) and Thoracic Support Adjustable (B). Thoracic support Standard is available with two different mounts, fixed and swing. Thoracic support Adjustable comes with swing mount. The swing mount allows the support to be swung away to the side.



## Thoracic Support Standard

Thoracic Support Standard is used when the user leans to the side. It can also be used in an effort to control a flexible spinal scoliosis or to prevent further deterioration.

## Thoracic Support Adjustable

Thoracic Support Adjustable (B) offers support for users who lean sideways and diagonally forward. It can also be used to distribute the pressure over a larger area of the trunk.

## Settings

### Height

The height of the thoracic support is set by choosing which holes to use when attaching the mounting bracket to the backrest (C). The mount can then be finely adjusted 2 cm in height (D).

### Width

The position of the pad is adjusted in width by setting the depth of the mounting profile in the mounting bracket (E).

### Angle

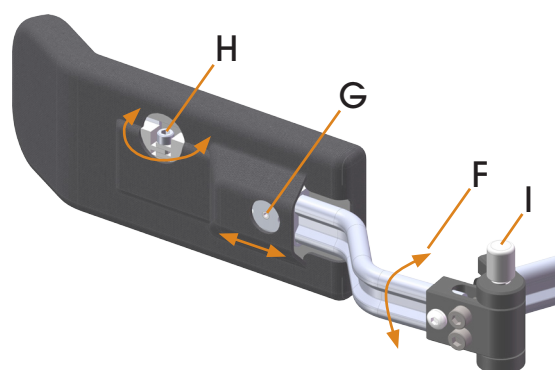
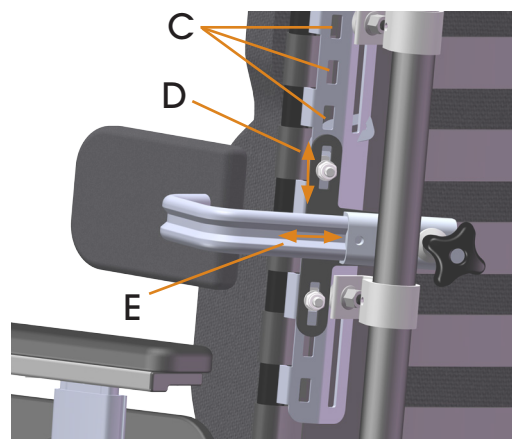
Thoracic supports with swing mount can be adjusted in angle in towards the user's body (F). This setting locks the swing function at the desired position.

### Pad (Thoracic Support Adjustable)

The pad can be adjusted in depth (G) and can be shaped/formed (H) to suit the user's body.

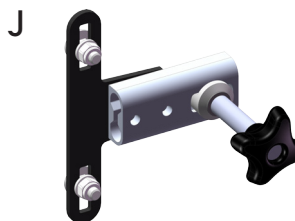
### Swing Mount

The swing function allows the thoracic support to be swung out to the side by pushing a button (I), e.g. when transferring in or out of the wheelchair.



## Mounting bracket

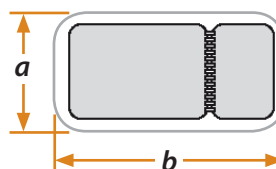
The mounting bracket (J) for the thoracic support is ordered separately.



## Measurements - Pads

Table 1 - Measurements - Pads [cm]

Model	a height	b depth	thick- ness
Thoracic Support Standard	8,5	13	2,5
Thoracic Supp. Adjustable	8,5	22	2,5



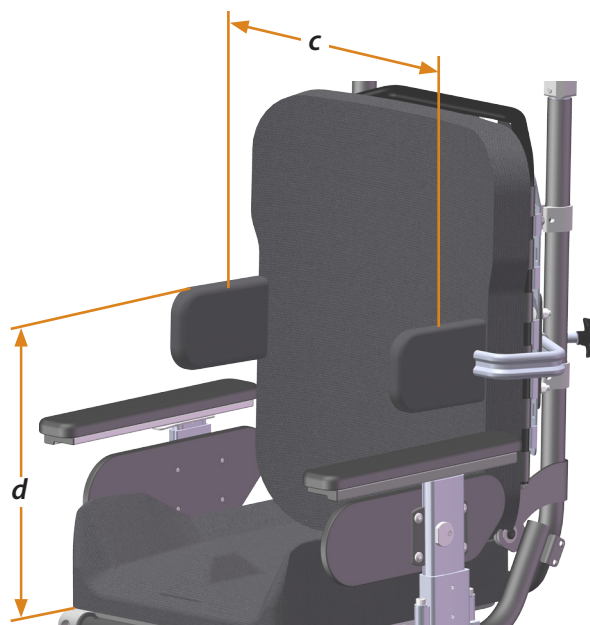
## Setting dimensions

Table 2 - Setting dimensions [cm]

Chassis width	c min	c max	d min * (lowest possible position is limited by armrest height)	d max ** (measured with backrest at highest position)
sw 30	22	28	26 / 30	38 / 44 / 50
sw 34	26	32	26 / 30	38 / 44 / 50

\* Armrest Low / Standard.

\*\* Backrest Extra-short / Short / Long.



## Covers

Thoracic support pads are upholstered with black Trevira. The cover is removable and washable at 60° C. Covers can also be ordered separately.

## Keep in mind

- Note that the use of thoracic supports requires careful individual fitting, to get good support and to avoid pressure that can cause injury.
- Avoid placing the support near the patient's armpit as this area is generally considered to be intimate and sensitive to pressure.

## Article Numbers

All article numbers are included in the Ordering Guide, document number 96750-1.