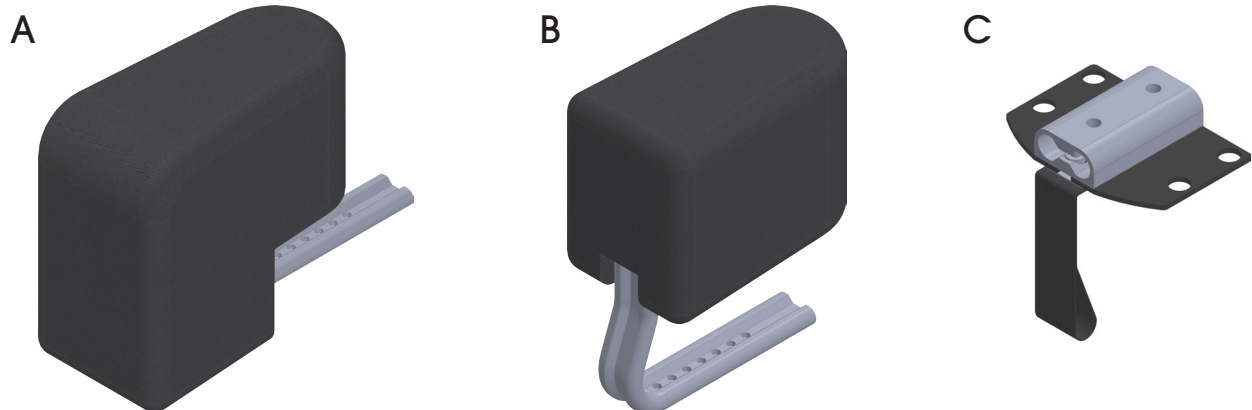


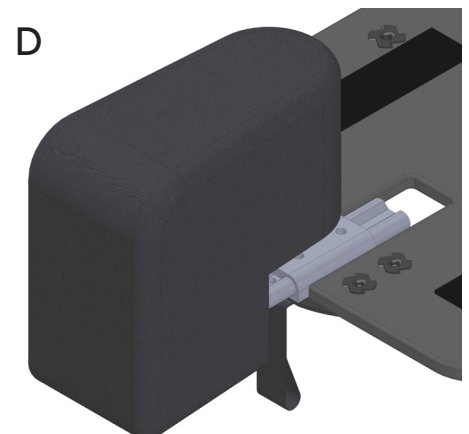
A pommel is used to give support to or to separate the user's legs. There are two types of pommel, Knee Abductor (A) and Leg Abductor (B). The two types differ in the shape of the mounting profile and the size and form of the cushion. Both types have soft padding covering a firm core.

The pommel is attached to the seat plate with a pommel mount (C). The pommel is easily removed from the mount when transferring in and out of the wheelchair.



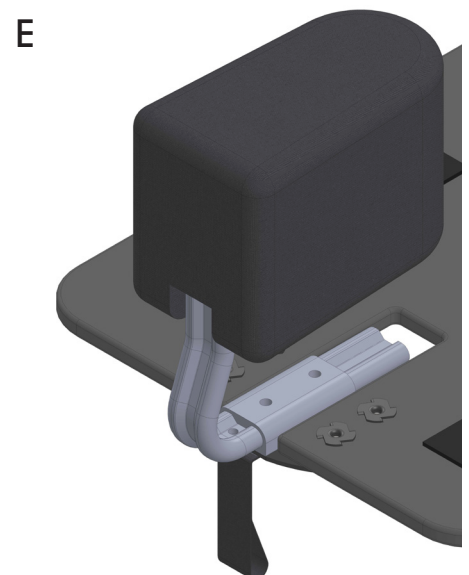
Knee Abductor

The Knee Abductor cushion (D) is L-shaped and distributes pressure to a larger area of the user's legs and knees. The cushion can be adjusted in height on the mounting profile. It can be set to different depths in the mount. Knee Abductors are available in two sizes.



Leg Abductor

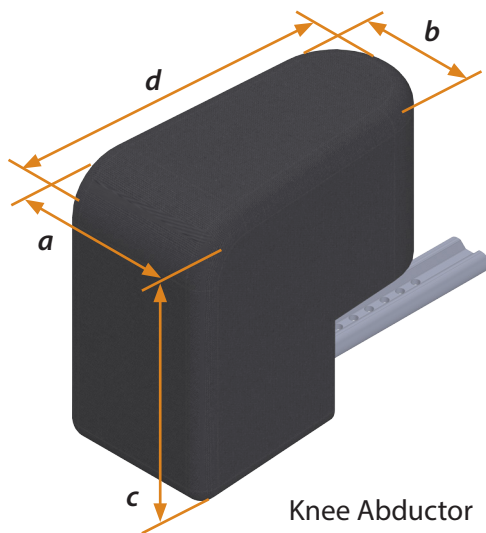
The Leg Abductor (E) has a shorter cushion than the Knee Abductor, and is placed further in over the seat. The cushion can be adjusted in height on the mounting profile. It can be set to different depths in the mount.



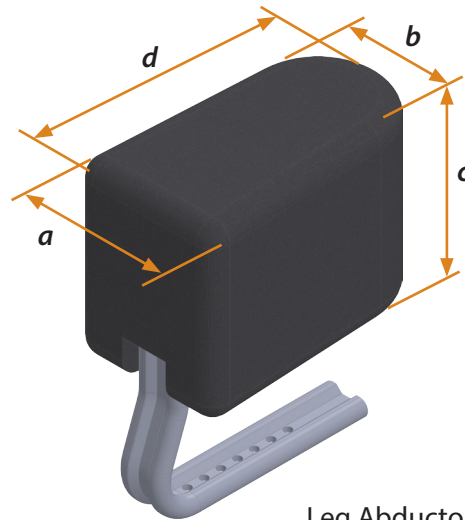
Measurements

Table 1 - Measurements [cm]

Model	<i>a</i> width front	<i>b</i> width back	<i>c</i> height	<i>d</i> length
Knee Abductor Small	6	5	15	15
Knee Abductor Large	9	7	15	16,5
Leg Abductor	8	7	10	12,5



Knee Abductor



Leg Abductor

Covering

Pommels are covered with Dartex material which is wipeable.

Keep in mind

- The pommel mount should be removed if a pommel is no longer used.
- If the user slides forward against the pommel there is a risk for discomfort or injury.

Article Numbers

All article numbers are included in the Prescription Form, document number 96750-1.