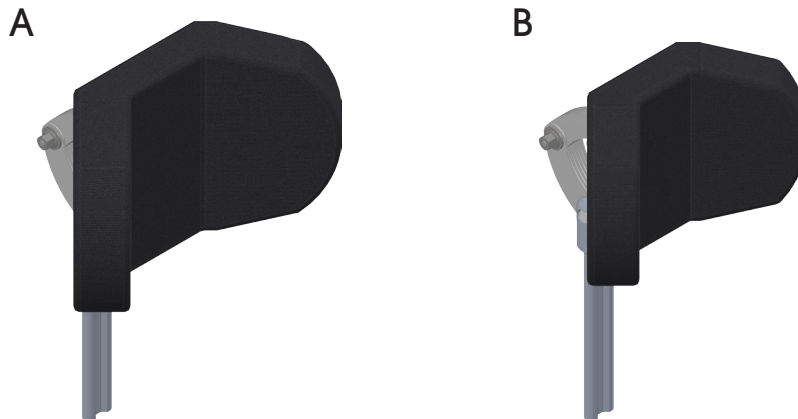
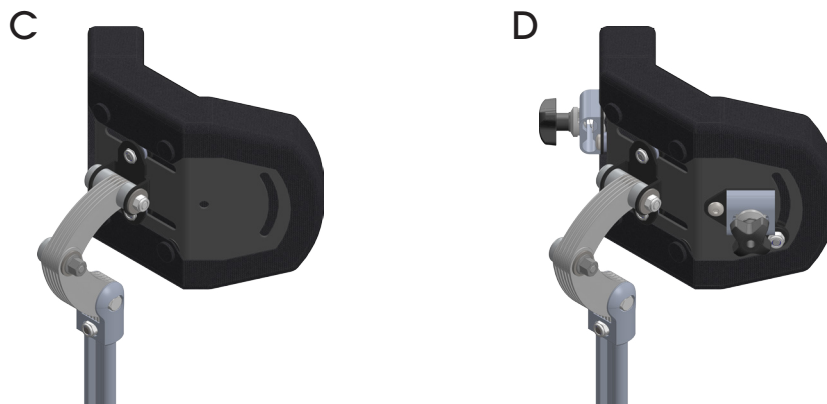


A headrest is used to give support to the users head when tilting or reclining the wheelchair. It also gives support if the user has weak neck muscles or a lot of head movement. A headrest must always be used when travelling in a vehicle.

Headrests are available in two sizes, large (A) and small (B). The headrest has a cupped form, which gives comfortable support to the sides. The lower part is slightly more round to give support to the neck.

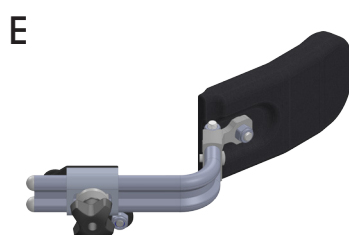


Headrests are available with (C) or without (D) mounts for side supports.



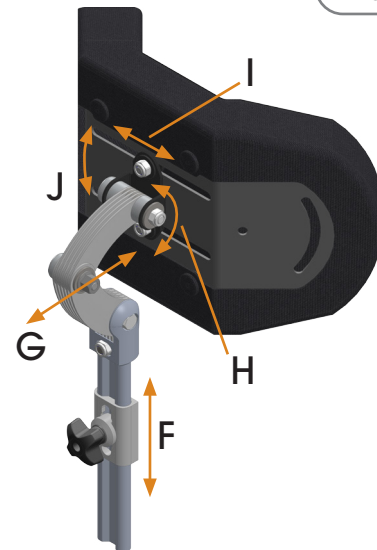
Side supports

Side support (E) is used when the user has an increased need of lateral stability on one or both sides. The side support can be used on either the right side or the left side. The side support cushions are the same for both large and small headrests.



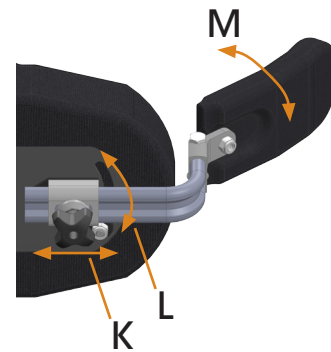
Settings

The headrest consists of two parts; a cushion, and a mounting profile that fits in a mount on the back of the wheelchair. The headrest can be adjusted in height (F) with the mounting profile. The cushion can be adjusted forward and back (G) and in angle (H) via the linking plates. The headrest cushion can also be adjusted laterally in the built-in slots (I), as well as angled slightly up or down (J).



Settings for Side support

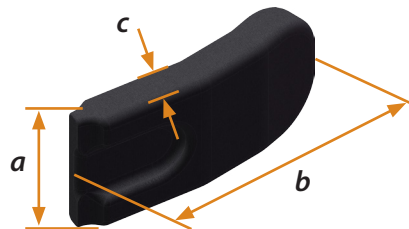
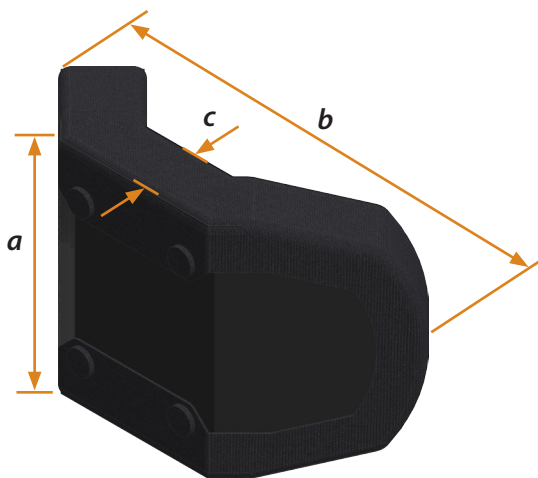
The side support can be adjusted laterally (K) and rotation (L) in the side support mount. The side support cushion can be turned in to an appropriate angle towards the users head (M).



Measurements

Table 1 - Measurements - cushion [cm]

	a height	b width	c thickness
Headrest large	15,5	27	3 (mid back)
Headrest small	13	22	3 (mid back)
Side support	6	12	2



Covering

The headrest cover consist of black Trevira CS on the front (against the users head) and black Dartex on the back. The cover is removable and washable at 60° C. The side support cover is made of wipeable black Dartex. Covers can also be ordered separately.

Keep in mind

- Be alert that the user does not become stuck in the headrest or side supports.
- If side supports are used, be sure that the users field of vision is not limited more than necessary.

Article Numbers

All article numbers are included in the Ordering Guide, document number 96750-1.