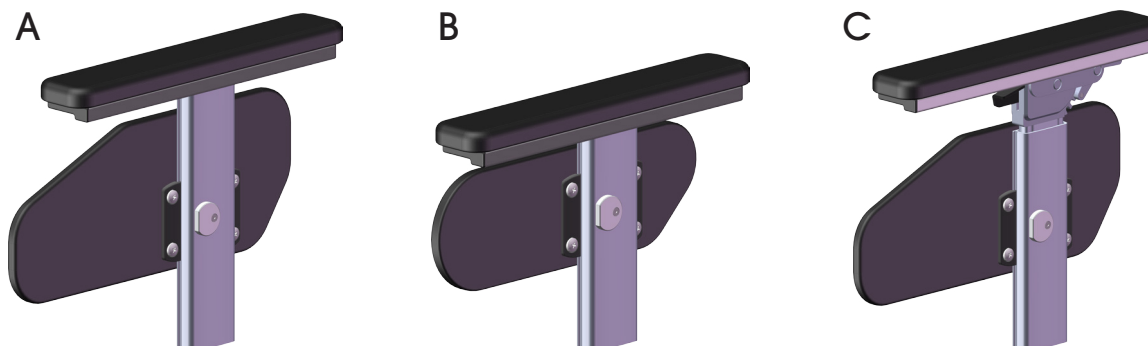


Armrests are available in three variations; Armrest Standard (A), Armrest Low (B) and Armrest Angle Adjustable (C).



Armrest Standard

Armrest Standard consists of a moulded polyurethane armrest pad and an upholstered side support. The height is adjustable (9 settings) and the depth is adjustable (9 settings). Both height and depth are adjusted without tools. A scale is included for the height setting.

Armrest Low

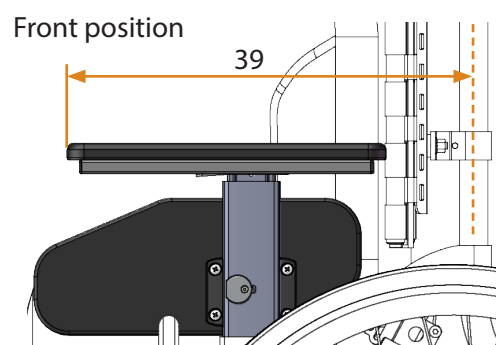
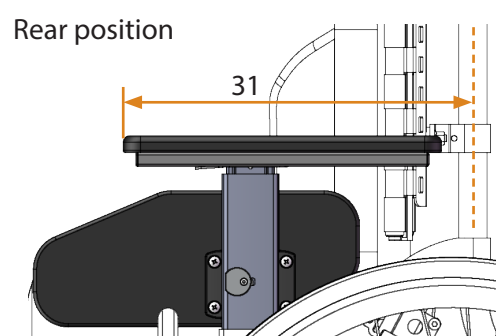
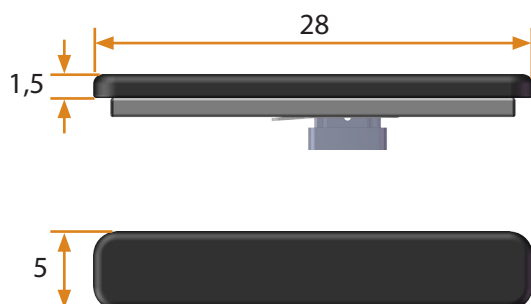
Armrest Low consists of a moulded polyurethane armrest pad and an upholstered side support. The height is adjustable (6 settings) and the depth is adjustable (9 settings). Both height and depth are adjusted without tools. A scale is included for the height setting.

Armrest Angle Adjustable

The armrest pad of Armrest Angle Adjustable can be angled up or down (36° in 4 settings), in addition to adjustments for height (7 settings) and depth (9 settings). A scale is included for the height setting.

Measurements - Armrest

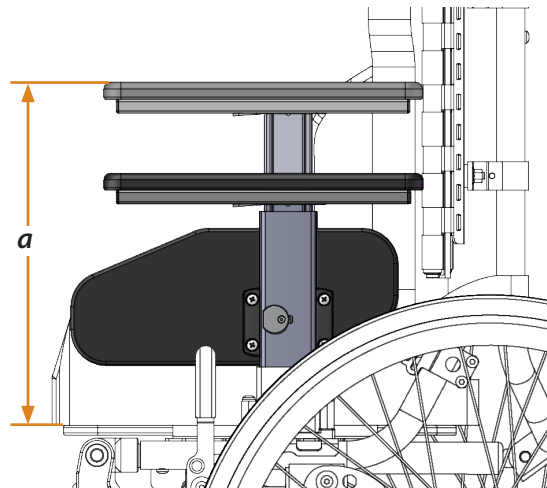
(All dimensions in cm)



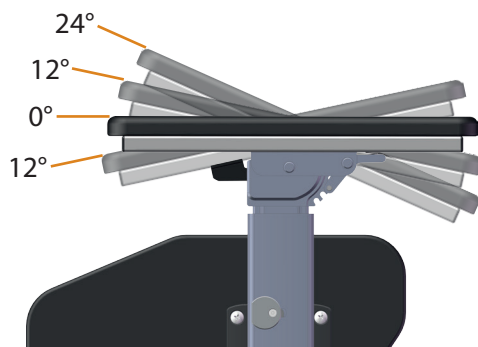
Height

Table 1 - Armrest height [cm]

Model	<i>a</i> lowest	<i>a</i> highest
Standard	22	30
Low	18	23
Angle adjustable	24	30

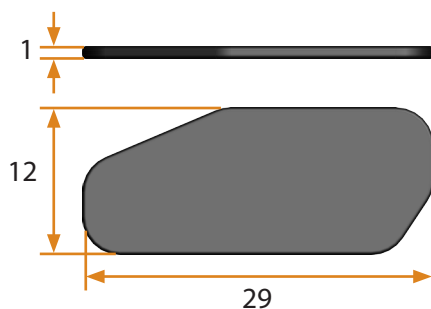


Angle - Armrest Angle Adjustable

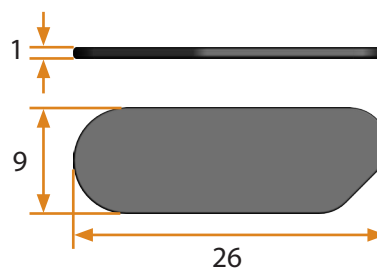


Measurements - Side supports

Side support - Standard



Side support - Low



Keep in mind

- If the armrest pad is adjusted backward when the back is reclined it is possible for the back to be blocked by the armrest and unable to be tilted up. Check and move the armrest pad forward when necessary.
- With the seat width at the widest setting and the armrest pads adjusted backward it is possible for them to rub against the fenders when the seat is tilted backward. The wheelchair must never be driven in this configuration.

Article Numbers

All article numbers are included in the Ordering Guide, document number 96750-1.