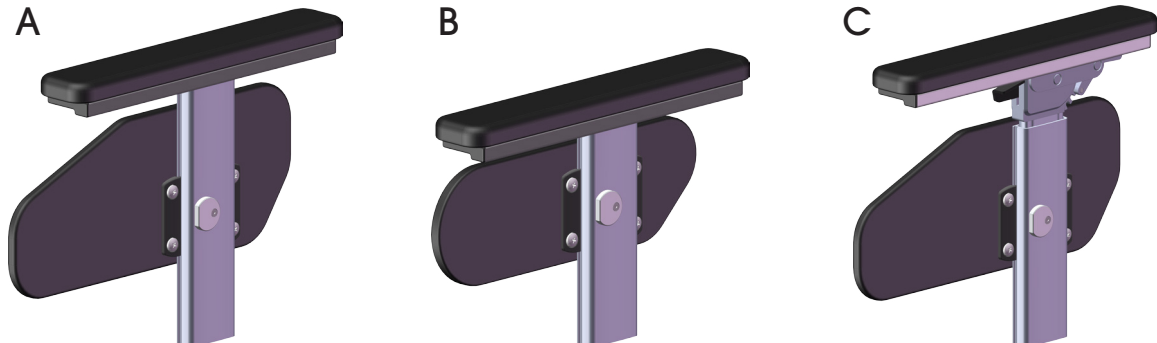


Armrests are available in three variations; Armrest Standard (A), Armrest Low (B) and Armrest Angle Adjustable (C).



Armrest Standard

Armrest Standard consists of a moulded polyurethane armrest pad and an upholstered side support. The height is adjustable (9 settings) and the depth is adjustable (9 settings). Both height and depth are adjusted without tools. A scale is included for the height setting.

Armrest Low

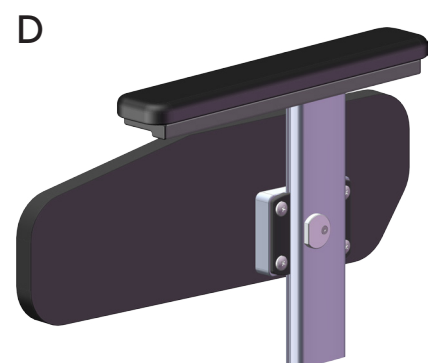
Armrest Low consists of a moulded polyurethane armrest pad and an upholstered side support. The height is adjustable (6 settings) and the depth is adjustable (9 settings). Both height and depth are adjusted without tools. A scale is included for the height setting.

Armrest Angle Adjustable

The armrest pad of Armrest Angle Adjustable can be angled up or down (36° in 4 settings), in addition to adjustments for height (7 settings) and depth (9 settings). A scale is included for the height setting. The side support for Armrest Angle Adjustable is the same as for Armrest Standard.

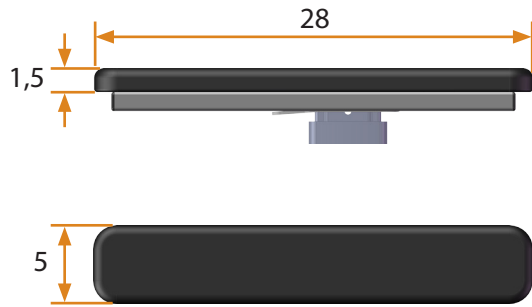
Wedge Side Support

The armrests can optionally be fitted with Wedge Side Supports 5° (D). With outwardly rotated hip joints these supports help hold the user's femurs parallel. Pressure is distributed along the thigh and risk for point pressure on the knee is reduced. Wedge Side Supports are longer than standard supports and cannot be combined with extra side padding.

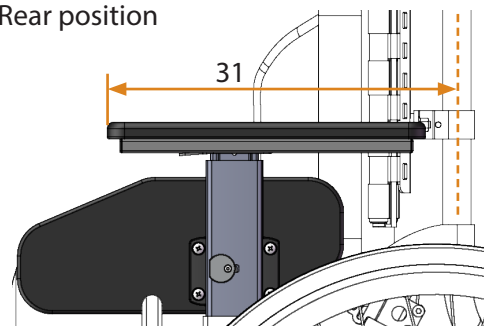


Measurements - Armrest

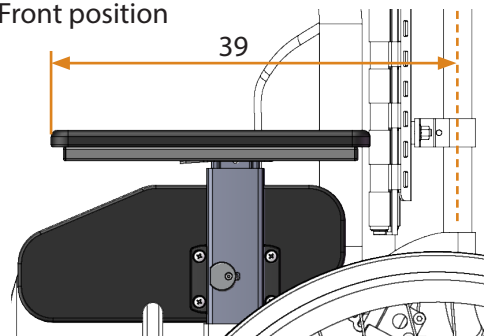
(All dimensions in cm)



Rear position



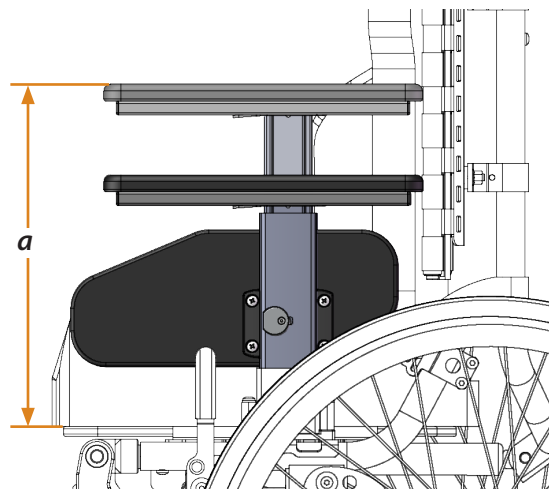
Front position



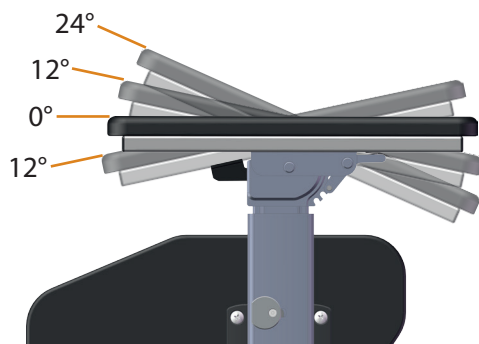
Height

Table 1 - Armrest height [cm]

Model	<i>a</i> lowest	<i>a</i> highest
Standard	22	30
Low	18	23
Angle adjustable	24	30

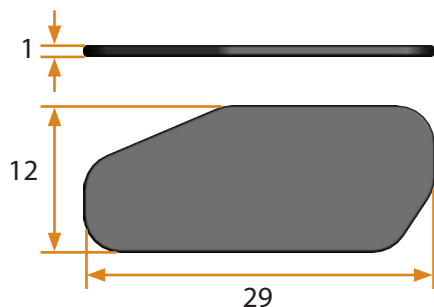


Angle - Armrest Angle Adjustable

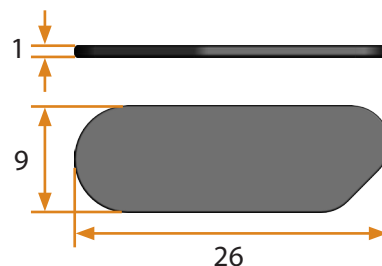


Measurements - Side supports

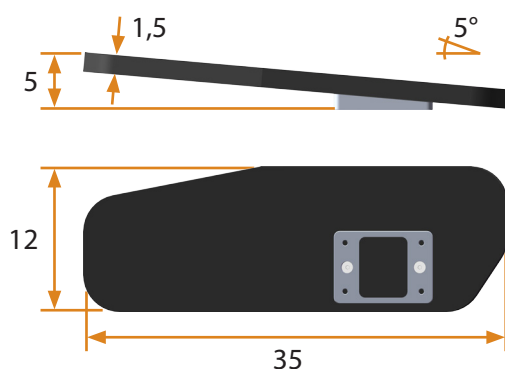
Side support - Standard



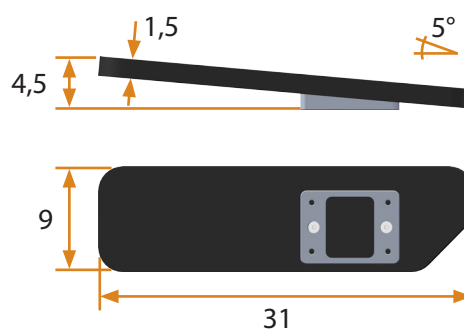
Side support - Low



Wedge side support - Standard



Wedge side support - Low



Keep in mind

- If the armrest pad is adjusted backward when the back is reclined it is possible for the back to be blocked by the armrest and unable to be tilted up. Check and move the armrest pad forward when necessary.
- With the seat width at the widest setting and the armrest pads adjusted backward it is possible for them to rub against the fenders when the seat is tilted backward. The wheelchair must never be driven in this configuration.

Article Numbers

All article numbers are included in the Ordering Guide, document number 96750-1.