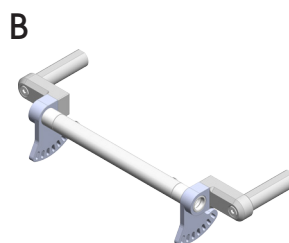
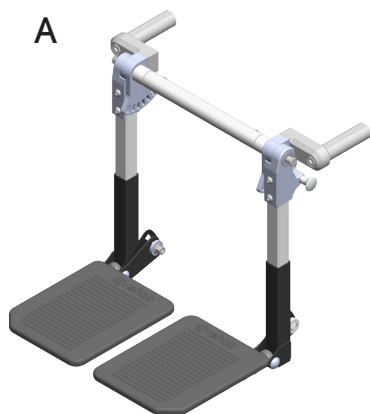


# Separate Leg Rests

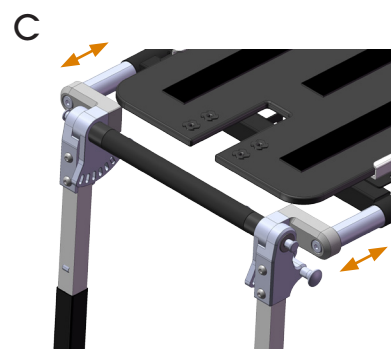
There are two leg rest systems available for HD Motion: Separate Leg Rests (A) and Centre Leg Rest, see Info Sheet Centre Leg Rest, document number 96901-1. Leg Rest Separate consists of a Mount (angle adjustable) (B), Leg rest tubes, and Footrests. For Leg rest tubes and Footrests, see below.



## Mount for leg rests

The leg rest position can be adjusted forward and back 6 cm in five positions. This is done by moving the telescoping rods of the leg rest mount in the seat frame (C).

Adjustment of the leg rest position is done together with setting the seat depth, see Info Sheet Chassis, document number 96914-1. The seat plate position must therefore be checked at the same time and adjusted to a suitable position.



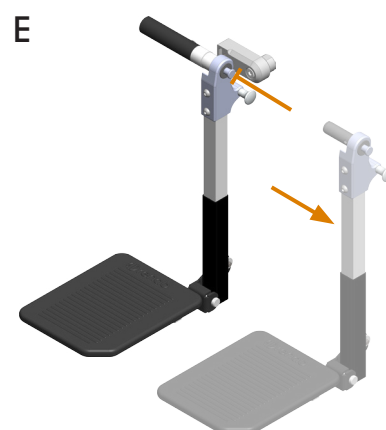
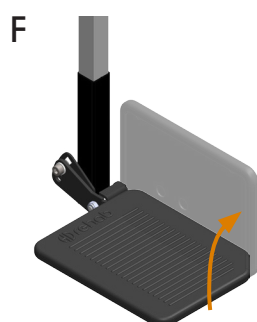
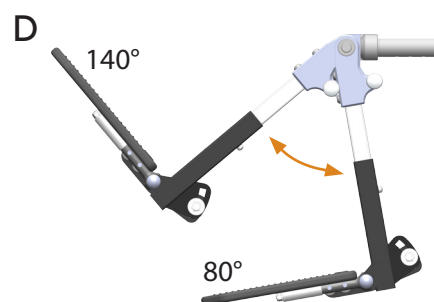
## Separate Leg Rests

Separate Leg Rests are used when different heights or angles are needed for the legs, e.g. with different leg lengths or contracture. Each leg rest can be angled between 80° and 140° in 7 positions (D).

Angle adjustable leg rests are used to break spasticity by allowing a shallower angle for the knees, or for when the user needs a change of leg position, for example when resting or when active.

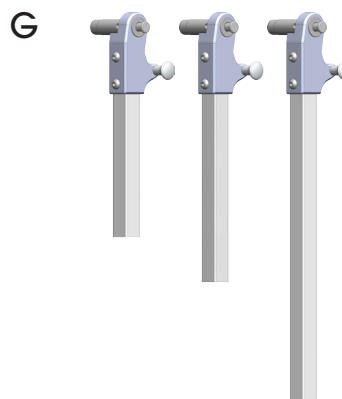
Each leg rest can be removed by pushing a release button and pulling the leg rest out to the side (E).

The foot plates can be folded up to the side to allow for standing transfers (F).



### Leg rest tubes

Leg rest tubes are available in three lengths: short, standard, and long (G). These are combined with Separate Footrests, Standard or Short, depending on the required total leg rest length. See Table 1.

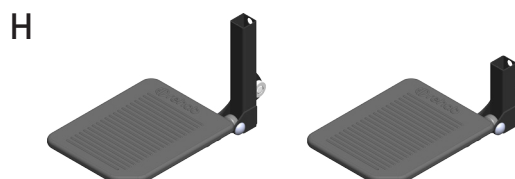


### Separate Footrests

Each footrest consists of a footrest tube and a footrest plate.

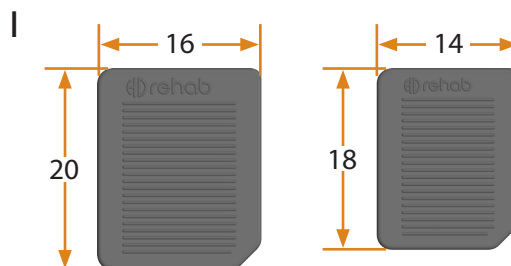
#### Footrest Tube

Footrest tubes are available in two lengths, Standard and Short (H), which are combined with the three lengths of leg rest tubes.

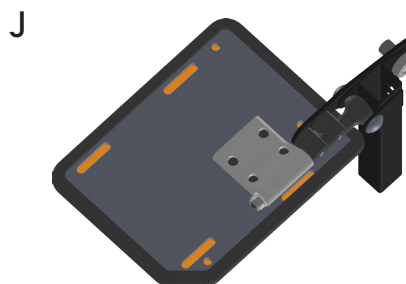


#### Footrest Plate

Separate footrest plates are available in two sizes, large for seat width 34 chassis and small for seat width 30 chassis (I).

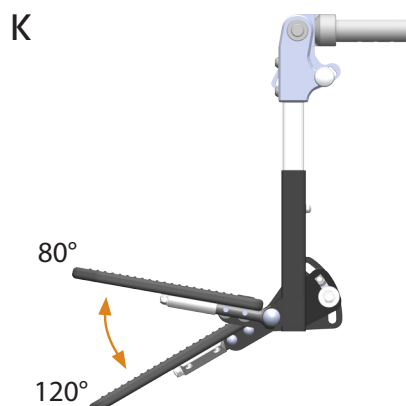


Each foot plate consists of a metal plate and a rubber covering. The metal plate (J) has holes and slots for foot straps and ankle holders. The top side of the footrest plate is covered with a removable moulded rubber covering. It is possible to cut desired holes in the rubber covering, or to order it already cut out.



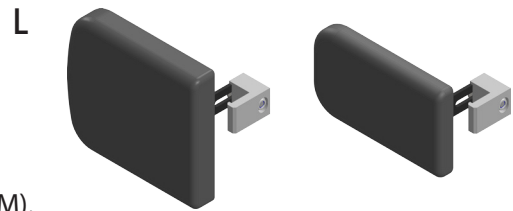
### Settings

Each footrest can be angled up and down continuously between 80° and 120° (K).



### Calf Supports

Centre Leg Rest can be equipped with calf supports, large or small (L). Each calf support consists of a calf support pad and a calf support bracket.

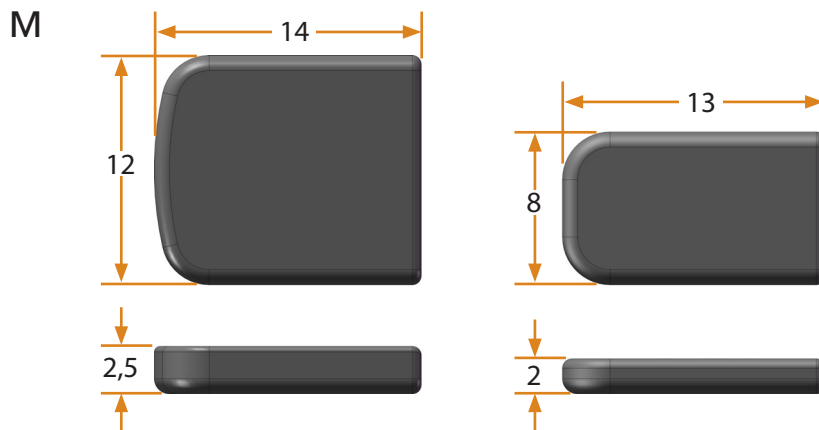


### Calf Support Pad

Calf support pads are available in two sizes, large and small (M).

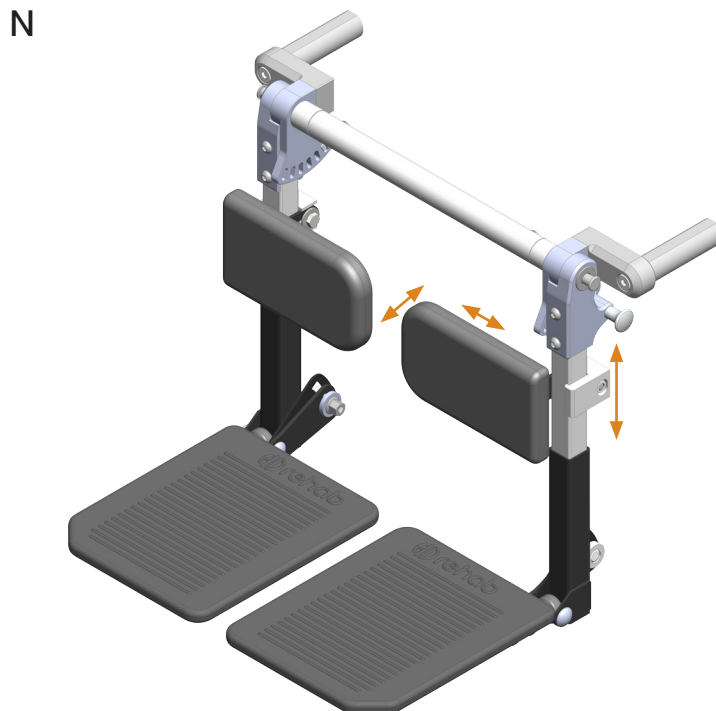
### Calf Support Bracket

Small and large calf supports have the same calf support bracket.



### Settings

Calf supports can be adjusted in height, the range depending on the length and position of the footrest and leg rest. It is possible to adjust the calf support forward 2,5 cm and sideways 1,5 cm (L).

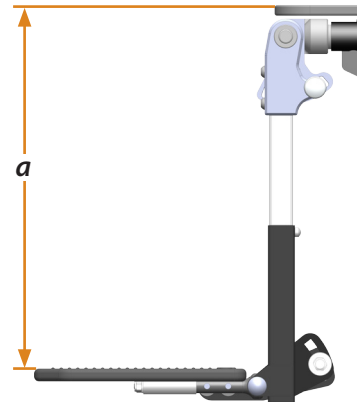


### Leg rest length

Leg rests are available in three lengths: short, standard, and long. These are combined with the separate footrests, short or standard, depending on the total leg rest length required. See Table 1 below.

*Table 1 - Functional length (cm). Measured from top of the seat plate to the top of the footrest plate with the leg rest at 90°.*

Leg rest	Footrest	<i>a</i> min	<i>a</i> max
Short	Short	19	25
Standard	Standard	23	35
Long	Standard	35	47



### Covers

Calf support pads are covered with Dartex, which is wipeable.

### Article Numbers

All article numbers are included in the Ordering Guide, document number 96750-1.