

There are two leg rest systems available for HD Motion: Centre Leg Rest (A) and Separate Leg Rests, see Info Sheet Separate Leg Rests, document number 96902-1.

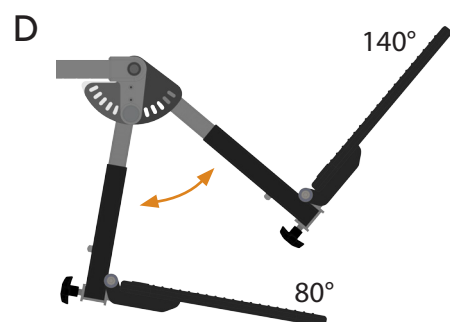
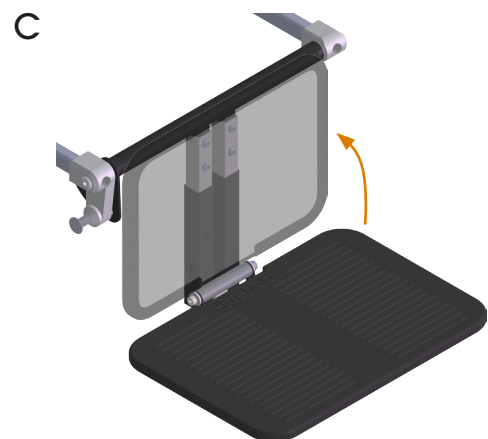
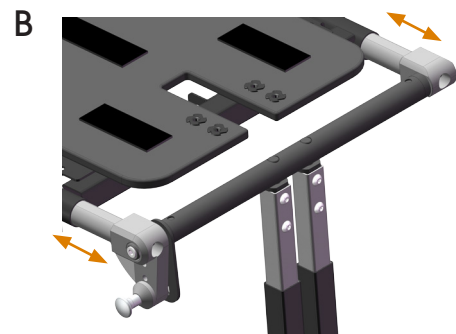
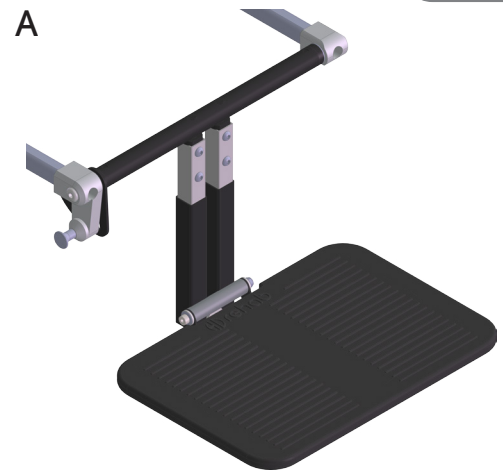
Centre Leg Rest

The leg rest position can be adjusted forward and back 6 cm in five positions. This is done by moving the telescoping rods of the leg rest mount in the seat frame (B).

Adjustment of the leg rest position is done together with setting the seat depth, see Info Sheet Chassis, document number 96914-1. The seat plate position must therefore be checked at the same time and adjusted to a suitable position.

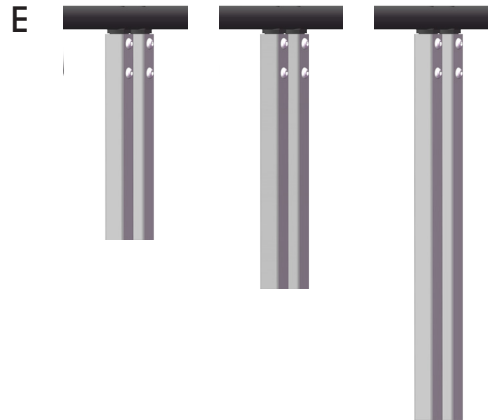
Centre Leg Rest provides ample space for standing transfers as the foot plate is easily folded up (C).

The leg rest can be angle adjusted between 80° and 140° in 7 positions (D). Angle adjustable leg rests are used to break spasticity by allowing a shallower angle for the knees when the user needs a change of leg position, for example when resting or when active.



Leg rest tubes

Leg rest tubes are available in three lengths: short, standard, and long (E). These are combined with One Piece Footrest, Standard or Short, depending on the required total leg rest length. See Table 1.

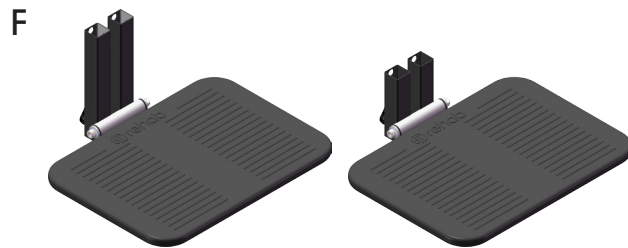


One-piece Footrest

One-piece Footrest consists of footrest tubes and foot plate.

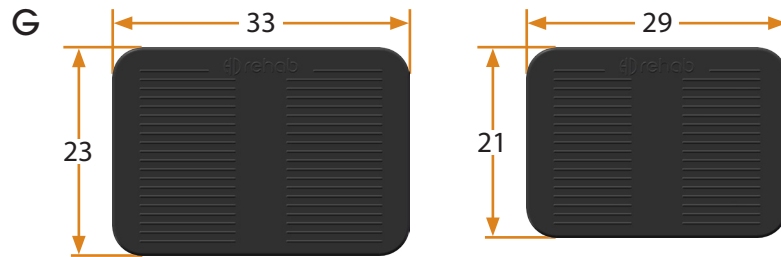
Footrest Tubes

Footrest tubes are available in two lengths, Standard and Short (F), which are combined with the three lengths of leg rest tubes.

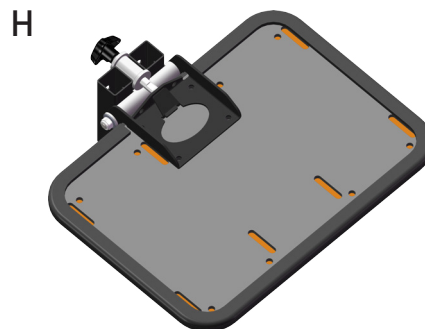


Foot Plate

Two sizes of one piece foot plate are available, large for seat width 34 chassis and small for seat width 30 chassis (G).

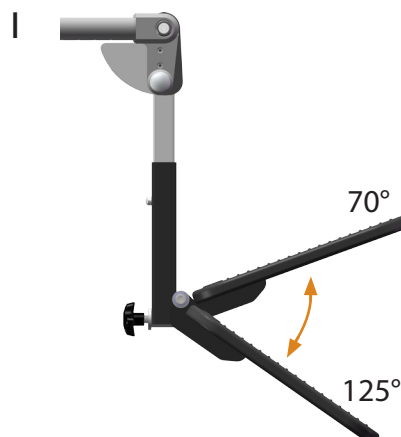


The foot plate consists of a metal plate and a rubber covering. The metal plate (H) has holes and slots for foot straps and ankle holders. The top side of the footrest plate is covered with a removable moulded rubber covering. It is possible to cut desired holes in the rubber covering, or to order it already cut out.



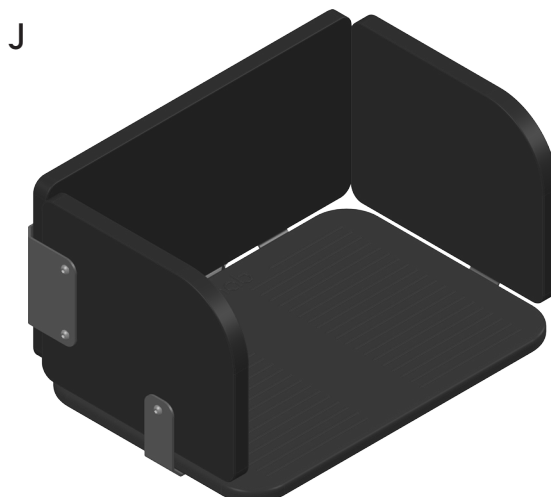
Settings

The footrest can be angled up and down continuously between 70° and 125° (I).



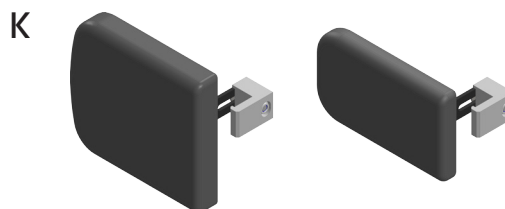
Foot Box

Foot Box (J) is available as an alternative for users who need protection due to involuntary foot and leg movements. The foot box consists of a one-piece footrest equipped with side padding and a calf support.



Calf Supports

Centre Leg Rest can be equipped with calf supports, large or small (K). Each calf support consists of a calf support pad and a calf support bracket.

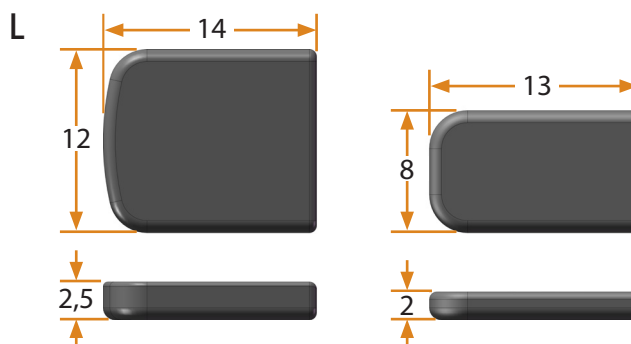


Calf Support Bracket

Small and large calf supports have the same calf support bracket.

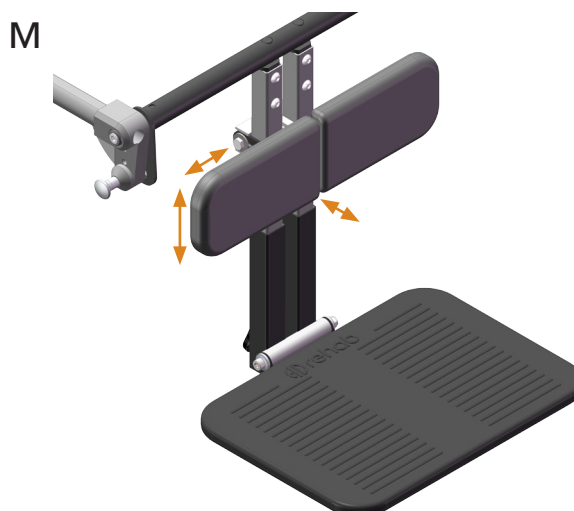
Calf support pad

Calf support pads are available in two sizes, large and small (L).



Settings

Calf supports can be adjusted in height, the range depending on the length and position of the footrest and leg rest. It is possible to adjust the calf support forward 2,5 cm and sideways 1,5 cm (M).



Leg rest length

The leg rest is available in three lengths: short, standard, and long. These are combined with the One-piece Footrest or Foot Box, short or standard, depending on the total leg rest length required.

Table 1 - Functional length (cm). Measured from top of the seat plate to the top of the footrest plate with the leg rest at 90°.

Leg rest	Footrest / Foot Box	<i>a</i> min	<i>a</i> max
Short	Short	19	25
Standard	Standard	23	35
Long	Standard	35	47



Covers

Calf support pads and foot box padding are covered with Dartex, which is wipeable.

Article Numbers

All article numbers are included in the Ordering Guide, document number 96750-1.