

Intended use

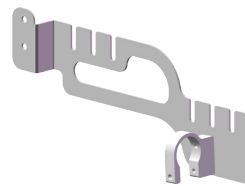
Wheel covers 16" are intended to be used for HD Motion with 16" drive wheels.

Parts included

2 x wheel cover
(RH and LH)



2 x bracket
(RH and LH)



2 x screw M5x35



4 x screw M6x16



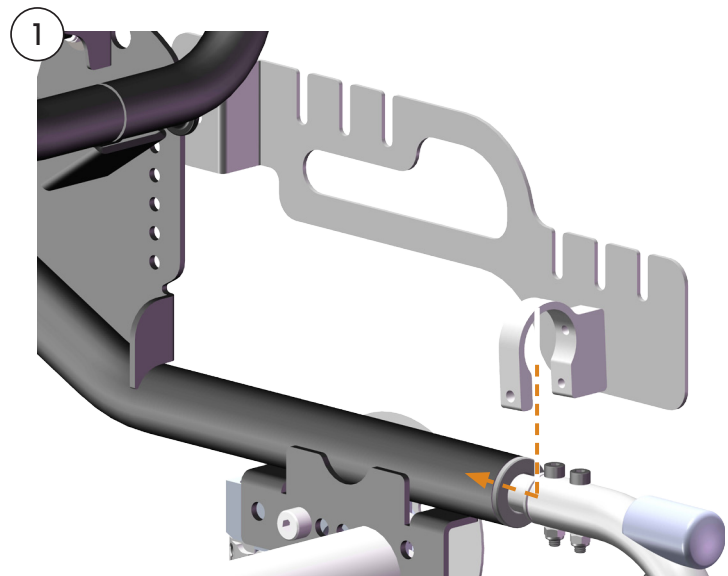
4 x lock nut M6



Assembly

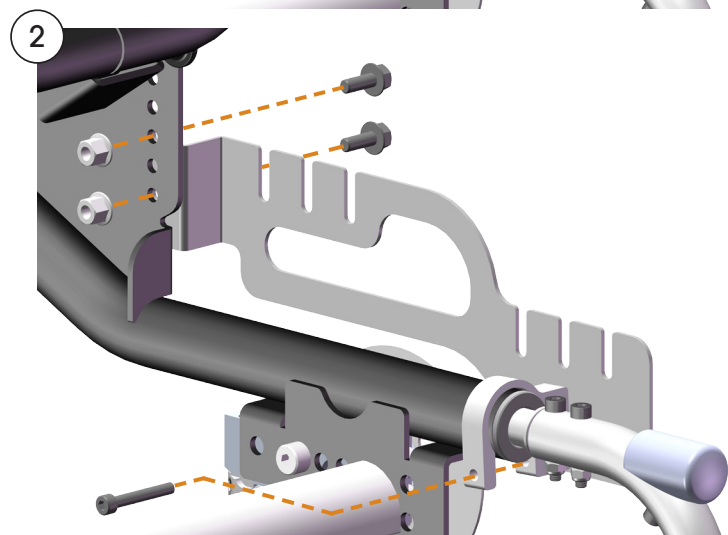
- ① Remove the drive wheel.

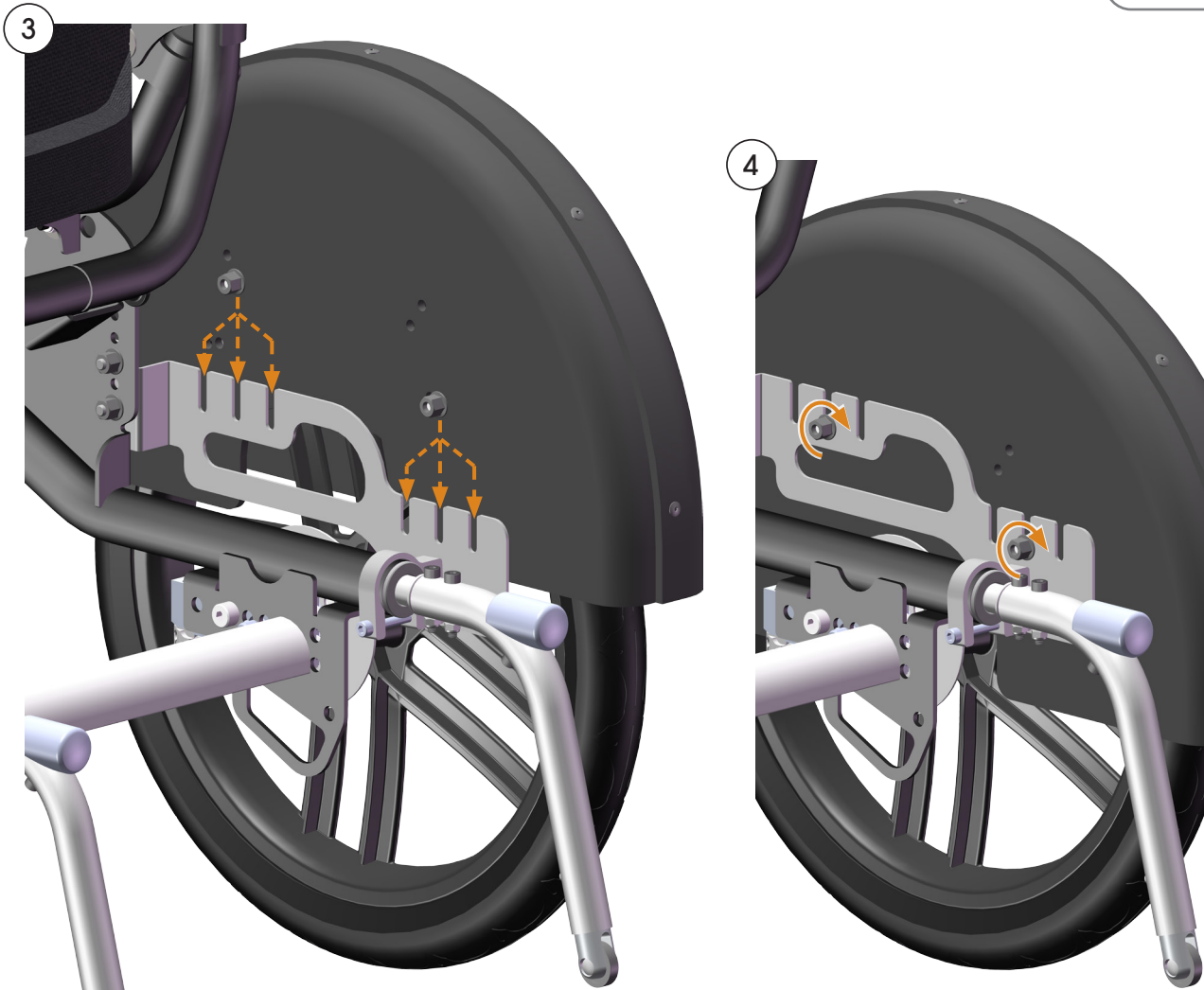
Place the bracket on the tube of the wheel frame.



- ② Screw the bracket in place.

Note: The screw through the clamp should be tightened securely but not excessively.





- ③ Re-mount the drive wheel.
Fit the wheel cover on to the bracket. Note that there are 3 positions on the bracket, to correspond with the 3 drive wheel positions.
- ④ Tighten the nuts on the wheel cover
- ⑤ Repeat these steps for the other drive wheel.

Use and Care instructions

Always replace damaged parts immediately. For more information see *Maintenance Instructions*, document number 96730-1.