

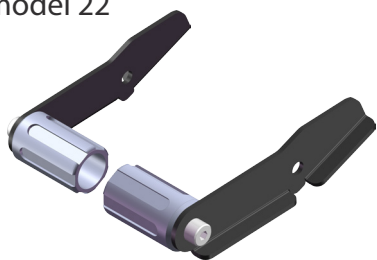
### Intended use

Tip pedal is used as a steadying point for the foot when the wheelchair is tipped up on the drive wheels.

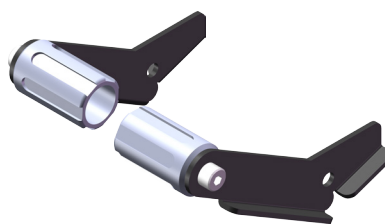
### Parts included

1 pair of tip pedals

model 22



model 16



2 x screw



2 x locking nut



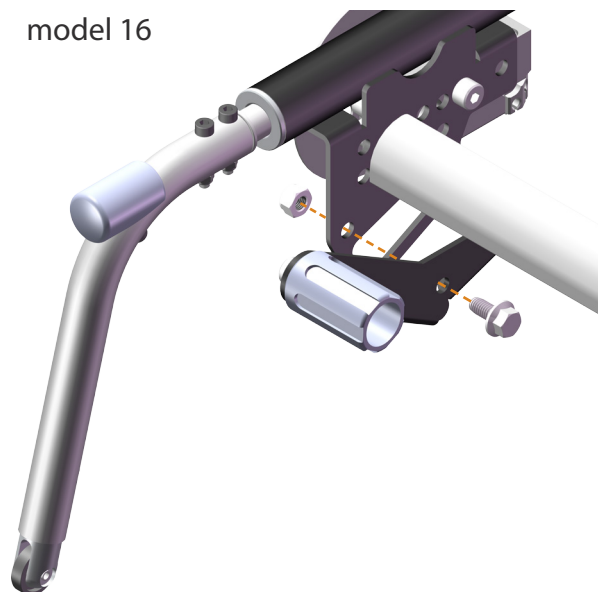
### Assembly

Remove the drive wheels. Assemble the tip pedals on each side with the included screws and nuts.

model 22



model 16



### Use and Care instructions

Always replace damaged parts immediately. For more information see Maintenance Instructions, document number 96730-1.