

Intended use

IV pole and mounting bracket are intended to be used with HD Motion. Using an IV pole with the wheelchair can make it easier for the user to be more mobile for certain treatments and examinations.

IV Pole and Mounting bracket are ordered separately. Note that neither product is intended to be used with equipment from other manufacturers.

Parts included (IV pole)

1 x IV pole



1 x IV hook



1 x screw M5x14



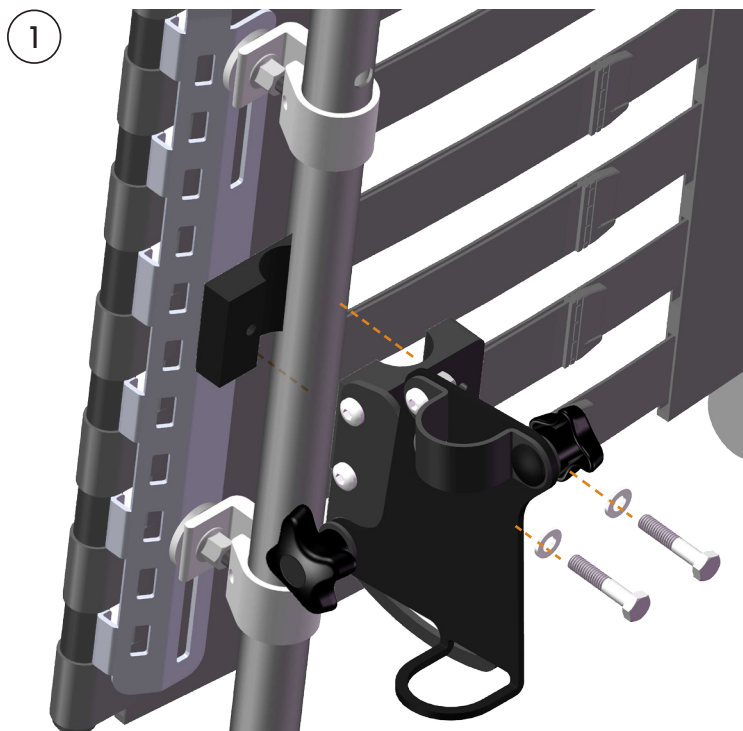
Parts included (Mounting bracket)

1 x mounting bracket
(LH model shown)

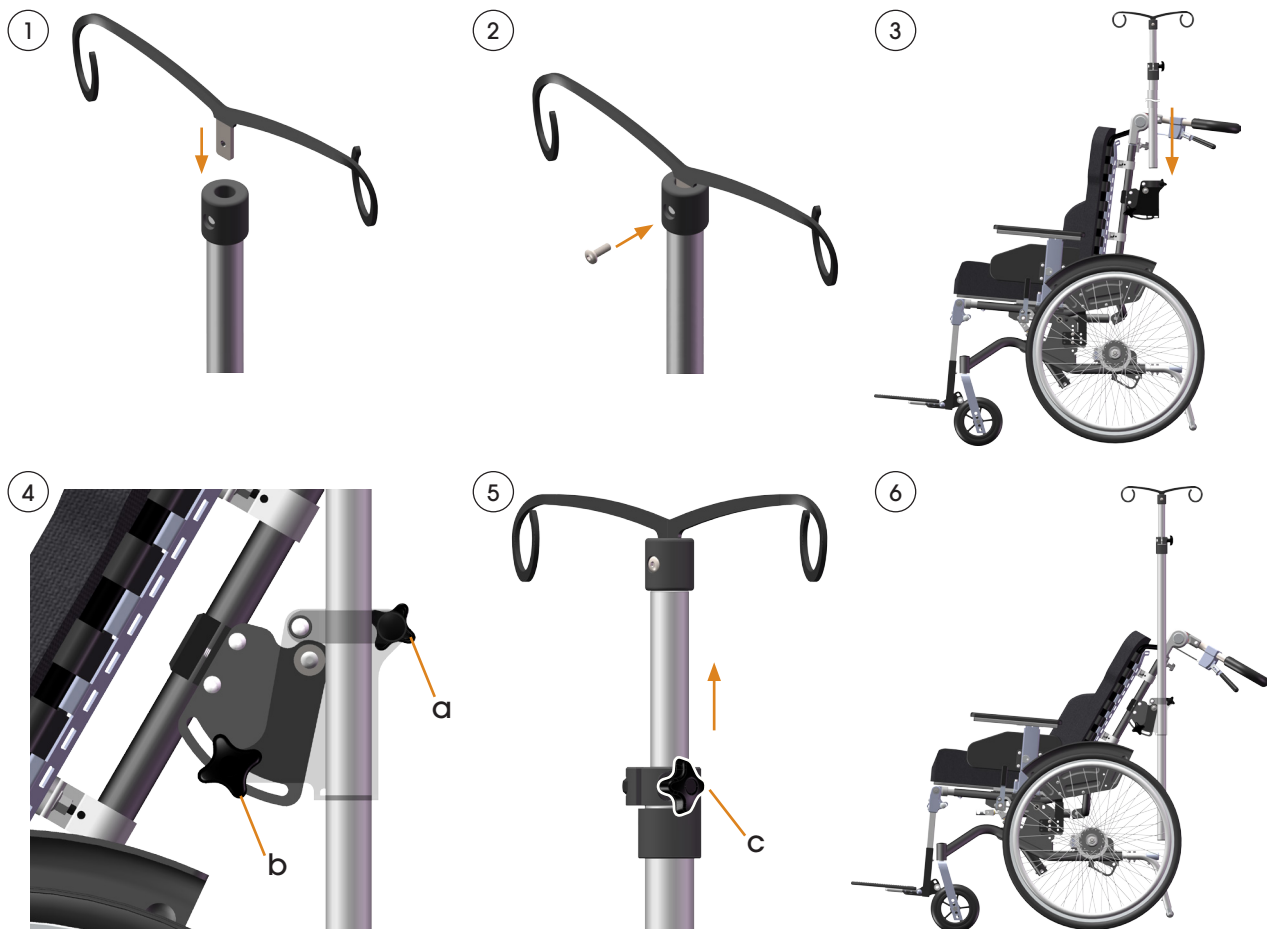


Assembly of Mounting bracket

- 1 Screw the mounting bracket in place on the back frame tube with the included screws and washers.



Assembly of IV pole



- ① Push the hook into the top bushing. Note the alignment of the hole.
- ② Secure the hook in place with the screw.
- ③ Lower the pole through the mounting bracket to the desired height.
Note: The tip protectors limit how low the IV pole can be mounted.
- ④ Tighten the clamp with the knob (a).
- ⑤ Loosen the knob (c) and adjust the inner pole to the desired height. Tighten the knob.
- ⑥ When the wheelchair is tilted the angle of the IV pole can be adjusted with the front knob (b, seen in step 4) to keep it vertical.

Use and Care instructions

- Make sure that problems or risks do not occur when the wheelchair adjustments are used. The IV pole entails increased risk of tipping, especially in a tilted position with heavy drip bags. Attention must be paid.



- Make sure the knobs are tightened before use, otherwise the IV pole can fall forward or backward.



- Always keep the IV pole as vertical as possible. Use the front knob (b) to adjust the angle.
- Always use tip protectors.
- IV pole should not be used together with the Bag Hook accessory.
- Maximum total weight for the IV pole together with drip bags is 6 kg.
- Always replace damaged parts immediately. For more information see *Maintenance Instructions*, document number 96730-1.