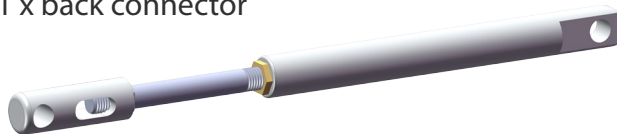


### Intended use

Fixed back connector is used with HD Motion to set a fixed back angle between 90 and 105°. It replaces the original gas spring and back recline control.

### Parts included

1 x back connector



1 x cover plug



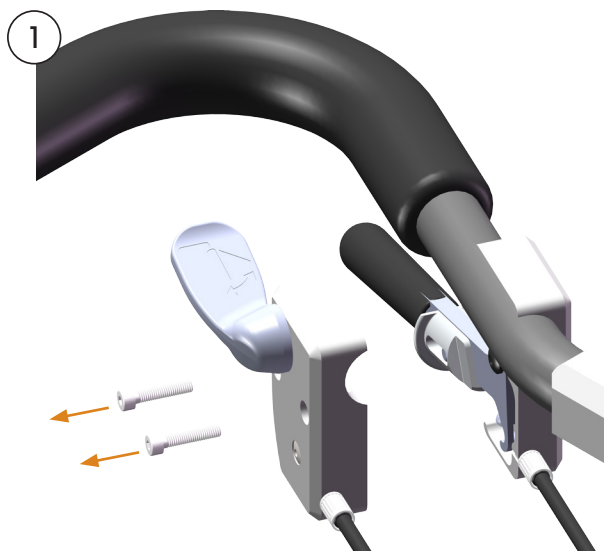
1 x screw M6



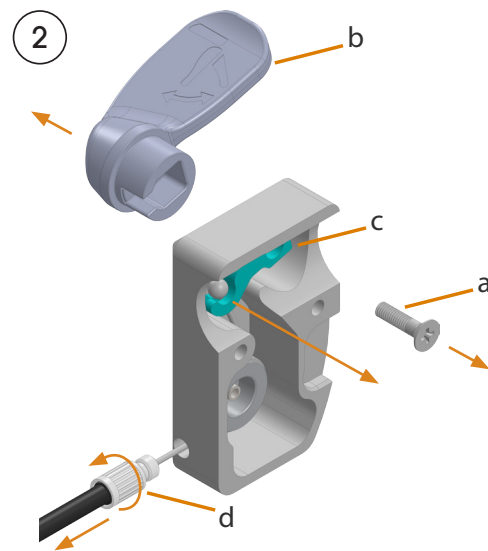
### Assembly

To be done by a duly qualified person.

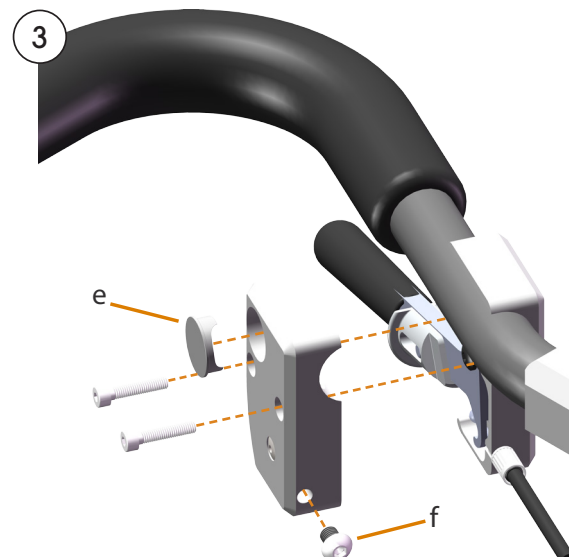
Remove the seat cushion and seat plate.



① Unscrew the inner half of the control housing on the left side of the push bar. Leave the outer half of the housing in place.

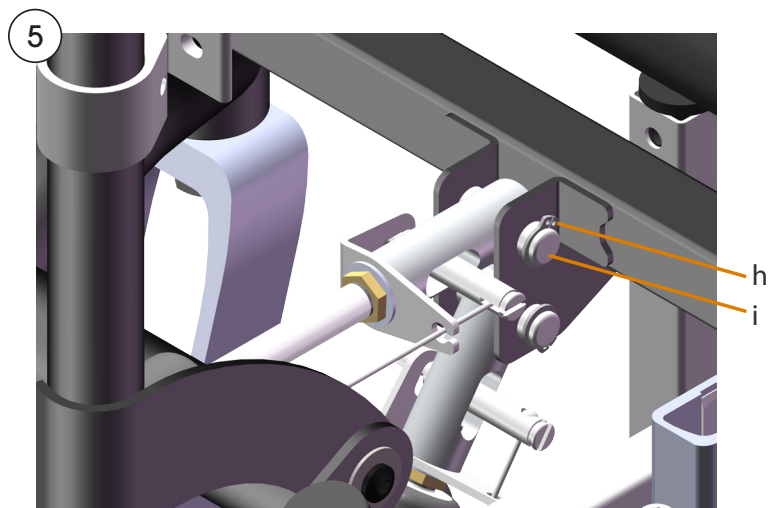


② Remove the screw (a). Remove the lever (b) and the arm (c). Unscrew the end sleeve (d) and remove the cable.

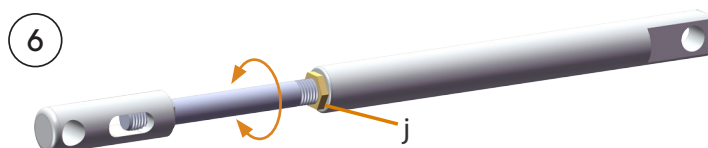


③ Cover the holes in the housing with the cover plug (e) and screw (f).

Reassemble the housing with the original screws. Check that the control is sitting properly and that the brake function has not been affected.

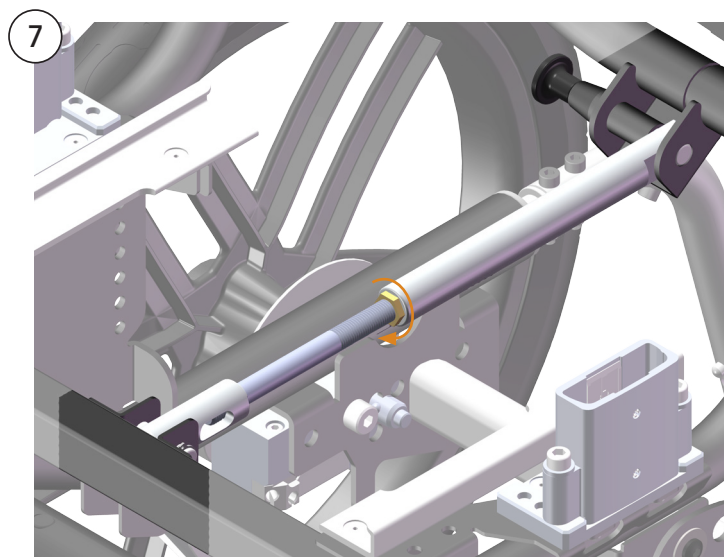


④ Grasp the push bar with one hand and pull the locking pin (g). Fold the back frame backward.



⑤ Release the gas spring from the front of the seat frame by removing the retaining ring (h) and knocking out the connecting pin (i).

⑥ Roughly adjust the back connector for the desired angle but do not tighten the nut (j). When fully screwed in the connector gives a back angle of  $\sim 105^\circ$ .



⑦ Assemble the back connector in the seat frame with the original pin and retaining ring.

**Note:** The retaining ring must be handled correctly. If damaged it must be replaced.

Attach the back frame with the back connector. Finely adjust the angle as necessary. Tighten the nut after adjusting.

⑧ Check that connections are secure.

## Use and Care instructions

Always replace damaged parts immediately. For more information see *Maintenance Instructions*, document number 96730-1.