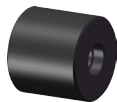


Intended use

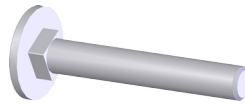
Back spacers are used to create a shorter seat depth than is otherwise possible.

Parts included

4 x spacer



4 x bolt MVBF M6



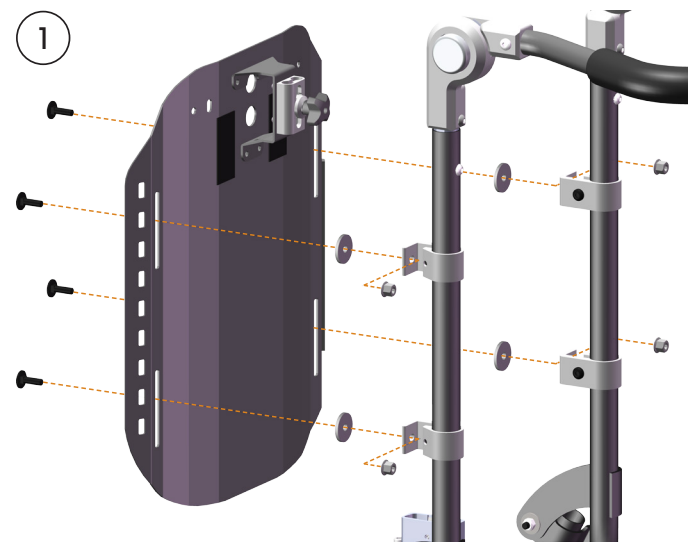
4 x flange nut M6



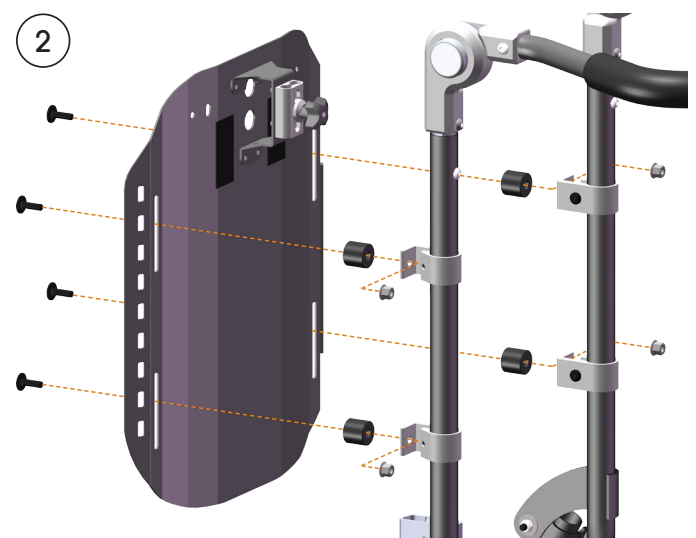
Assembly

Remove back cushion, seat cushion, and armrests.

- ① Remove the backrest system from the backrest brackets.



- ② Assemble the 4 back spacers between the backrest clamps and the backrest with the included bolts and nuts.



Use and Care instructions

Always replace damaged parts immediately. For more information see *Maintenance Instructions*, document number 96730-1.