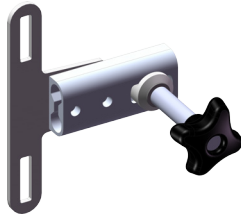


### Intended use

Thoracic support mount is intended to be used with an approved thoracic support from HD Rehab.

### Parts included

1 x mount



2 x bolt MVBF M6x16



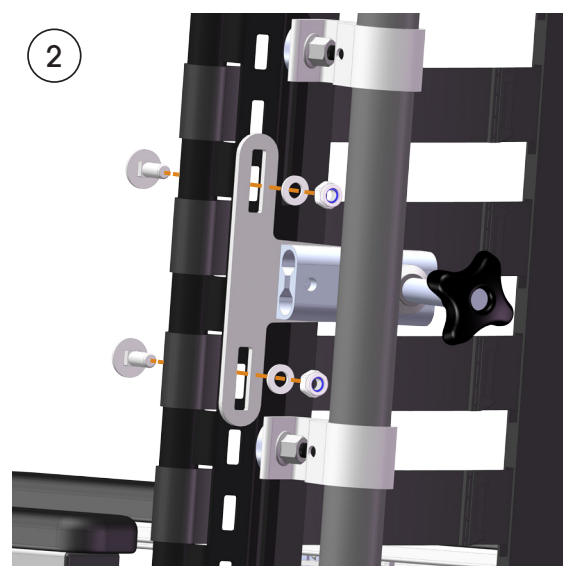
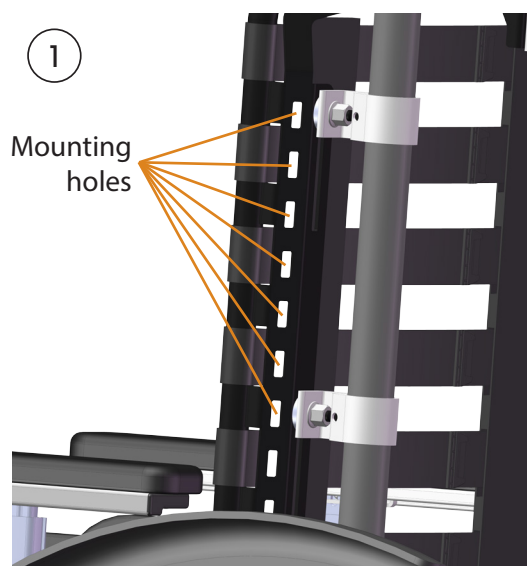
2 x washer



2 x locknut M6



### Assembly



- ① Remove the back cushion. The thoracic support mount is attached to the back side of the backrest system and can be placed at various heights. Choose mounting holes to suit the desired height for the thoracic support and place the slots of the mount against the holes.
- ② Fasten the mount in place with the included bolts, washers, and locknuts. Put the back cushion back in place.

### Use and Care instructions

Always replace damaged parts immediately. For more information see *Maintenance Instructions*, document number 96730-1.