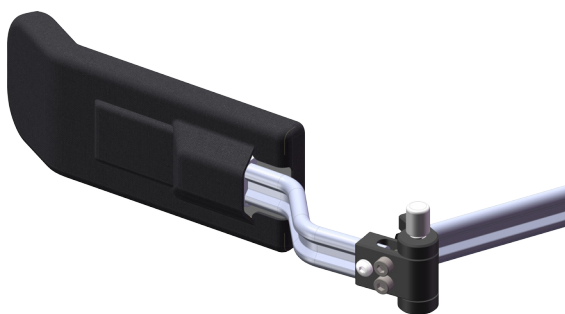


## Intended use

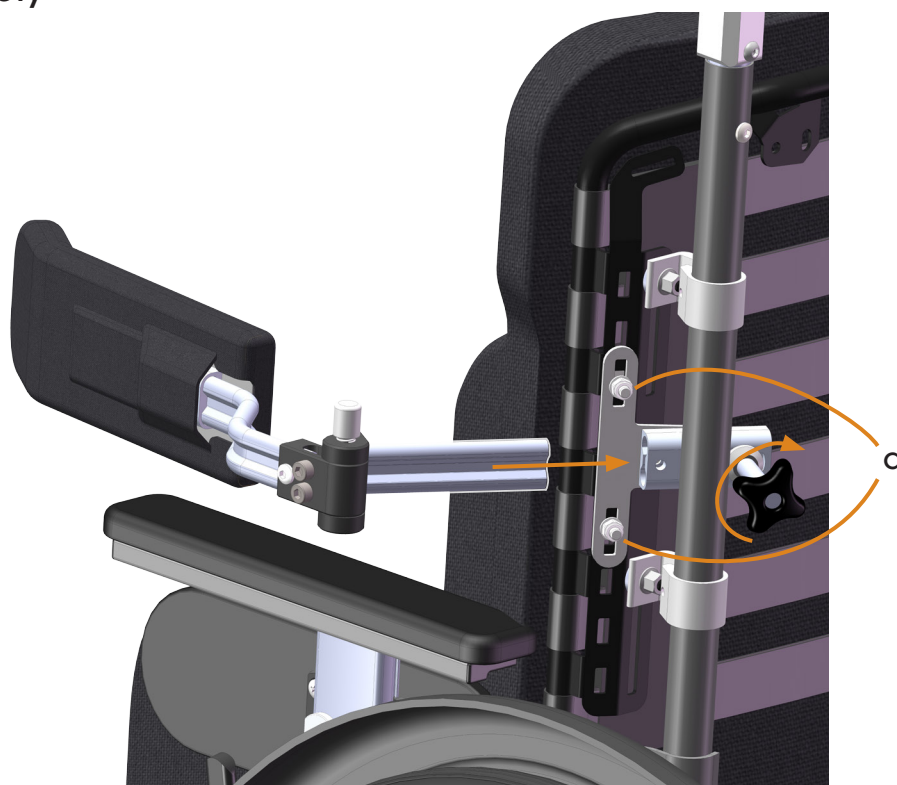
Thoracic support Adjustable with Swing-away is intended to be used with a thoracic support mount from HD Rehab. See the assembly instructions *Thoracic support mount*, document number 96808-1.

## Parts included

1 x thoracic support Adjustable,  
Swing (LH model shown)



## Assembly

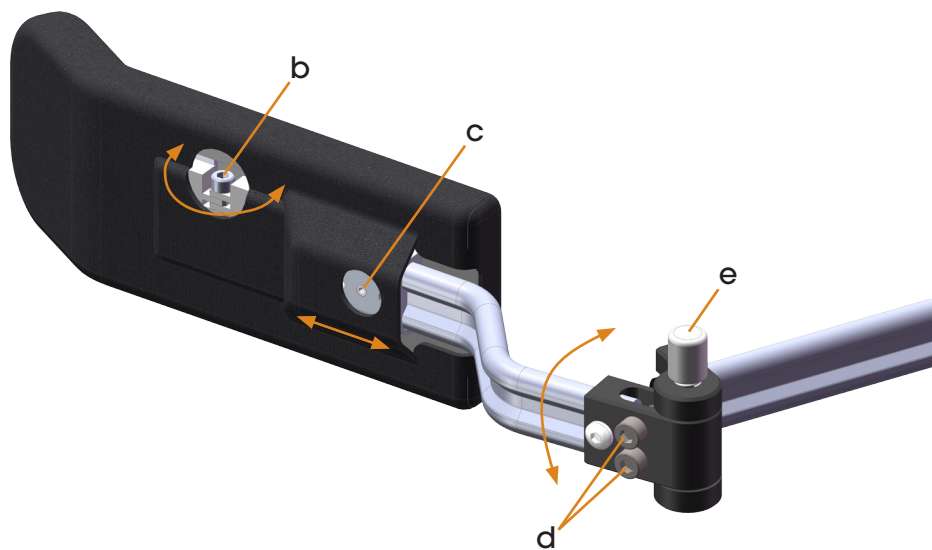


Insert the thoracic support in the thoracic support mount. When the support is at the desired position tighten the knob firmly.

Fine adjustment of the vertical position is done by loosening the nuts (a) and sliding the mount up or down in the slots.

## Adjustment of position

To be done by a duly qualified person.



1. Put the thoracic support in the mount.
2. Ensure that the swing-away mechanism is in a locked position. Loosen the screws (d) slightly.
3. Turn the thoracic support cushion inward against the user's body.
4. Tighten the screws (d) firmly to lock the thoracic support in position.
5. The cushion can be adjusted in depth. This is done with the set screw (c) under the cover.
6. The cushion can be formed by adjusting the angle. This is done with the set screw (b) under the cover.

## Use

Use the button (e) to release and swing away the thoracic support when necessary.

**Note:** The support should be relieved of pressure to make it easy to push the button.

## Care instructions

Hard surfaces can be wiped clean with mild cleaner and water as needed. The cover can be washed per the instructions which are sewn in.

Always replace damaged parts immediately. For more information see Maintenance Instructions, document number 96730-1.