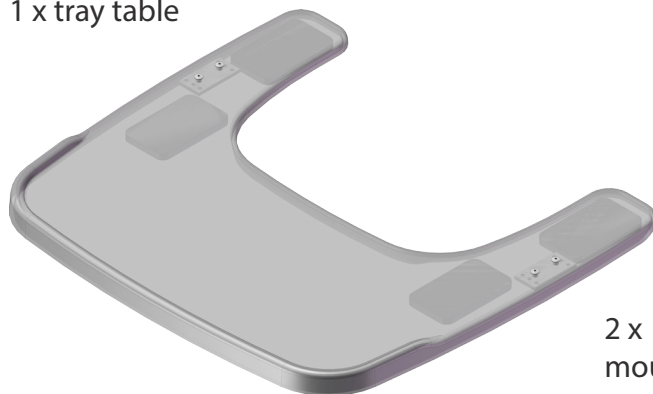


### Intended use

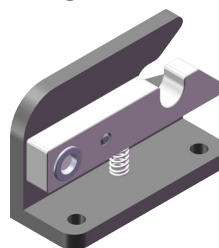
Tray table is intended as a general resting surface during daily activities, such as when eating.

### Parts included

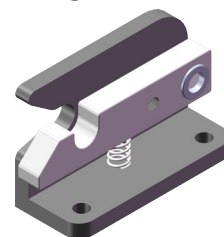
1 x tray table



1 x fitting RH



1 x fitting LH



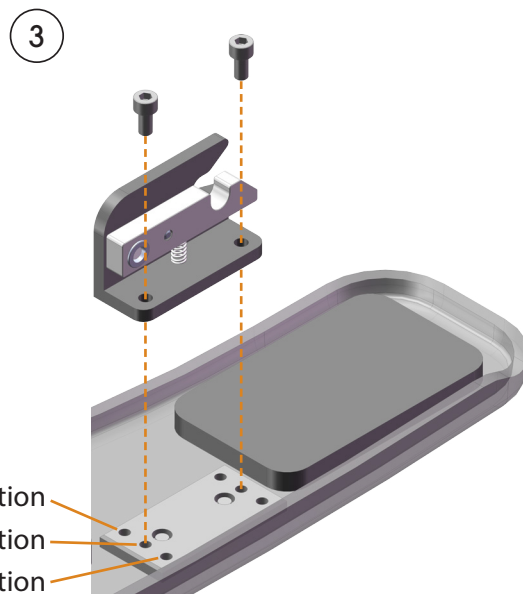
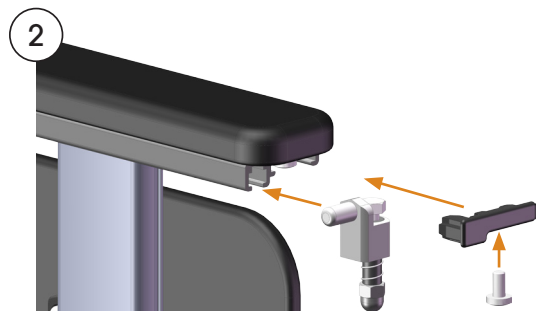
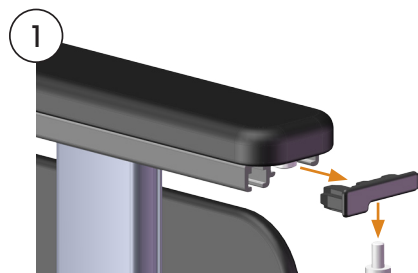
2 x  
mounting pin



4 x screw  
MC6S M5x10



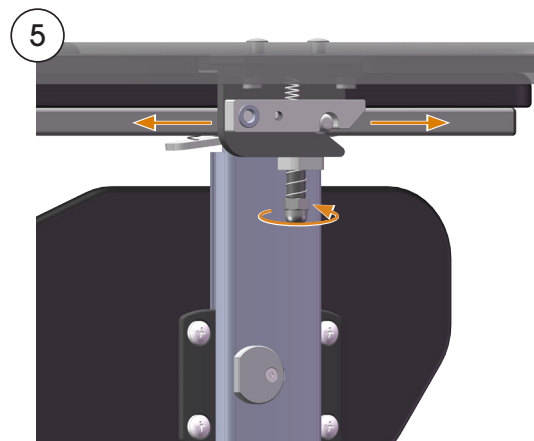
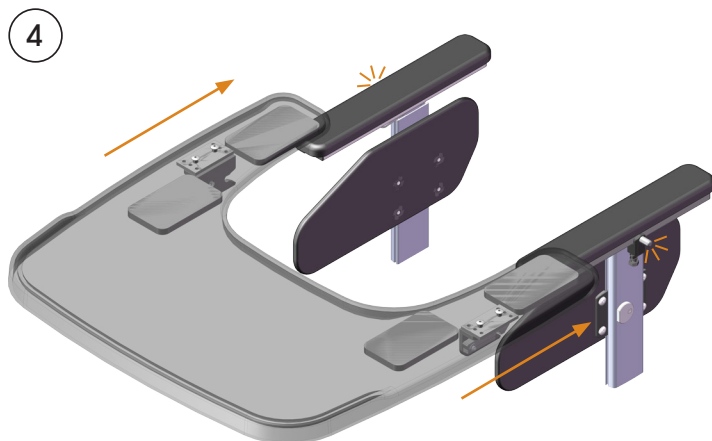
### Assembly



- ① Remove the screw and pull out the plastic plug from the armrest rail at the back of each armrest.
- ② Slide the mounting pin along the slot in armrest rail. Place the mounting pins at approximately the same depth on both sides. Put the plastic plugs and screws back in place in the armrest rails.
- ③ Check if the armrests are set in the inner, middle, or outer position on the wheelchair. Screw the fittings in place on each side of the tray table in the corresponding position.

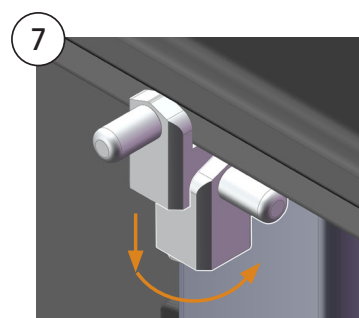
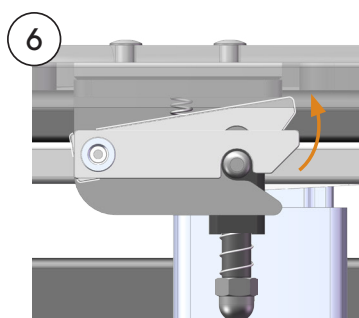
④ Place the tray table on the front of the armrests, then push it in until it clicks in place on the mounting pins. It may be that just one side clicks in place, as the mounting pins are not yet tightened. Push the other mounting pin into the fitting if necessary.

⑤ Grasp the tray table on both sides and push it (together with the mounting pins) to the desired position. Tighten the nut on each mounting pin.



⑥ To remove the tray table grasp around both sides and push the locking levers up, then pull the tray table straight out.

⑦ When the tray table is not in place the mounting pins should be turned in to avoid being in the way.



## Use and Care instructions

The tray table can be wiped clean with mild cleaner and water. Always replace damaged parts immediately. For more information see *Maintenance Instructions*, document number 96730-1.



- When using a tray table there is a risk of pinching when the back is raised from a reclined position. Be aware of this.
- The tray table is not intended for heavy loads.
- Restrictions might exist regarding the use of a tray table if it interferes with the user getting out of the wheelchair. Be aware of regulations.
- Do not sit on the tray table.
- The tray table is set up according to the width of the wheelchair. When changing the seating width the fittings on the tray table must also be adjusted. .