

Intended use

The chest harness mounting kit is intended to be used as mounting points for different chest harnesses and similar products. The mount is suitable for harnesses with straps that are max 25 mm wide.

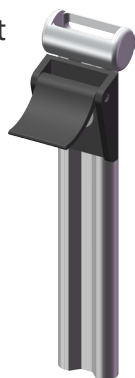
The manufacturer of the chest harness has the responsibility that the chest harness is safe to use. Therefore, see the user manual for each chest harness to learn how it is to be positioned on the user.

Parts included

2 x mount



2 x post



2 x fastening loop



2 x washer



2 x flange locknut M6



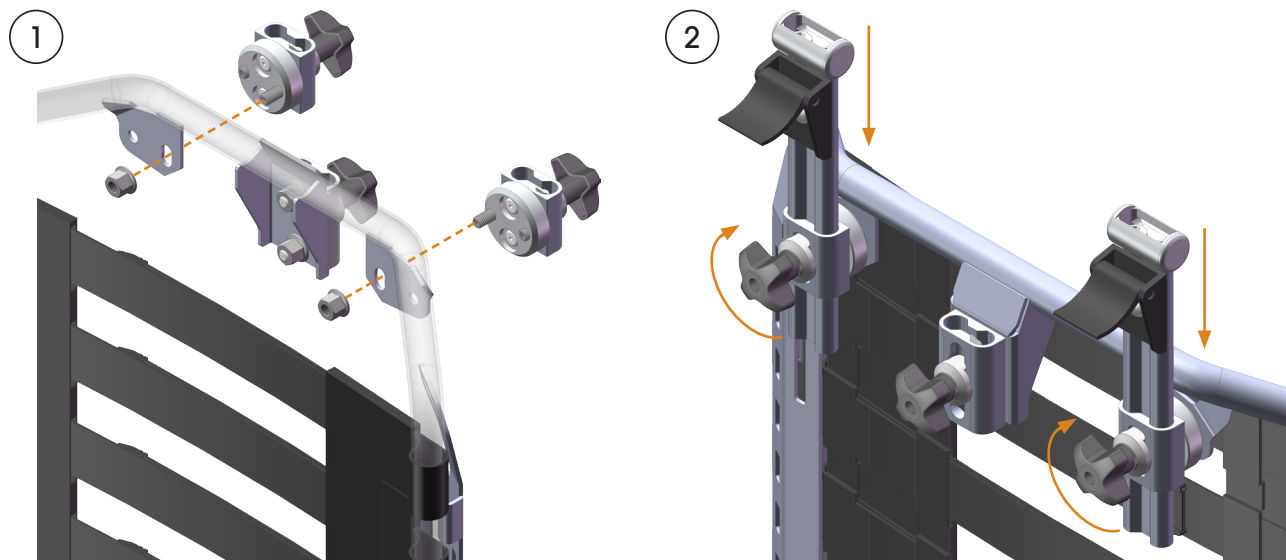
2 x bolt MVBF M6x16



2 x locknut M6



Assembly - Adjustable mounts



Note: The mounts have a longer threaded post and a shorter threaded post. The longer post passes through the curved slot in the backrest on each side.

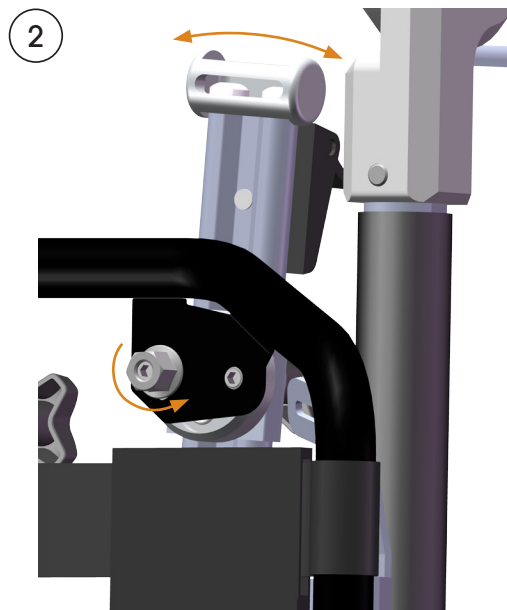
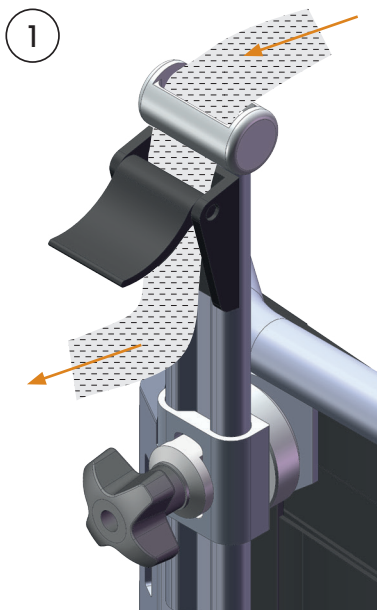
- ① Screw the mounts in place on the backrest with the included flange locknuts.
- ② Slide the posts into the mounts and secure firmly in place by turning the knobs.

Assembly - Fastening loops

Mount the fastening loops in one of the rectangular holes on each side of the backrest. The appropriate hole to use depends on the user and the type of chest harness.



Use



- ① The upper straps of the harness are mounted as shown. Close the buckle to secure the strap.
- ② The position of the upper strap is set by adjusting the height and angle of the posts. Height adjustment is done via the knobs. To adjust the angle, loosen the nut as shown.

Care instructions

The chest harness mounts can be cleaned by wiping with mild cleaner and water. Always replace damaged parts immediately. For more information see *Maintenance Instructions*, doc. nr. 96730-1.