

Spare parts - HD Motion

▶ English



Art.no. 96740-1 Rev. B

List of contents

0. OVERVIEW

Page

Overview page 1	0.1	4
Overview page 2	0.2	6

A. WHEELS AND WHEEL FRAME

Page

Wheel Frame 22	A1.1	8
Wheel Frame 16	A1.2	10
Wheel Mount	A2.1	12
Castors	A3.1	14
Wheels 20", 22" & 24"	A4.1	16
Wheels 16"	A4.2	18
Tip Protector	A5.1	20
Gas Spring	A6.1	22
User Brake	A7.1	24
Tip Protector Mount	A8.1	26
Fenders	A9.1	28
Spoke Protection	A10.1	30

B. SEAT

Page

Seat Frame	B1.1	32
Seat Plate	B2.1	34
Gas Spring Back Recline & Fixed Back Bar	B3.1	36
Armrest Bracket	B4.1	38

C. BACK

Page

Back Frame	C1.1	40
Flexi Back	C2.1	42
Solid Back Plate	C2.2	44
Push Bar Standard	C3.1	46
Push Bar Joint	C4.1	48
Wire Control Unit	C5.1	50
Wire Set Brake	C5.2	52
Bracket Thoracic Support	C6.1	54

D. Legrest

Page

Legrest Overview	D1.1	56
Mout for Legrest Separate	D1.2	58
Legrest Tube Separate	D1.3	60
Legrest Center Overview	D1.4	62
Legrest Center	D1.5	64
Calf Support	D2.1	66
Footrest separate	D3.1	68
Footrest one-piece	D3.2	70
Footbox	D3.3	72

E. Armrest		Page
------------	--	------

Armrest	E1.1	74
Armrest Unit Standard	E2.1	76
Armrest Unit Low	E2.2	78
Armrest Unit Angle Adjustable	E2.3	80
Side Support Standard & Low	E3.1	82

F. Accessories		Page
----------------	--	------

Thoracic Support Swing Adjustable	F1.1	84
Thoracic Support Fixed & Fixed Swing	F1.2	86
Joint Thoracic Support Swing	F1.3	88
Tray Table	F2.1	90
Support Table	F2.2	92
Headrest Small & Large w/o brackets	F3.1	94
Headrest Small & Large with side brackets	F3.2	96
Side Bracket- & Side Support for Headrest	F3.3	98
Extension Bar Headrest	F3.4	100
Belt Mounting kit	F4.1	102
Leg & Knee Spacer	F5.1	104
Harness Brackets	F6.1	106
Space Cushion	F7.1	108

G. Cushions		Page
-------------	--	------

Seat Cushions	G1.1	110
Back Cushions with wings	G2.1	112
Back Cushions Flat	G2.2	114



Spare parts**HD Motion****0.1**Refers to exploded view: **Overview page 1**

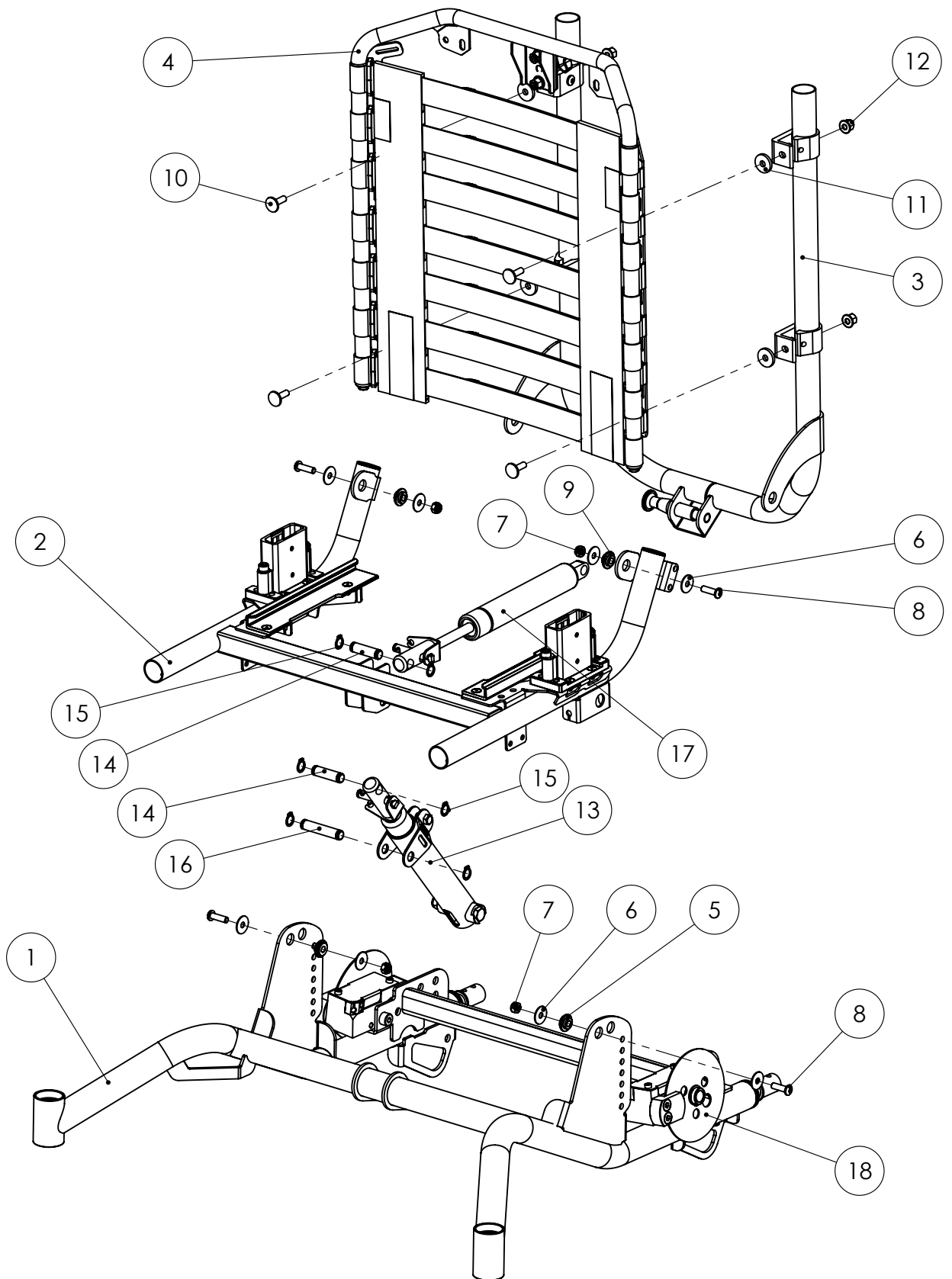
0.1 - rev. 01

rev. 2020-06-25

Pos.	Art.no.	Description	Incl.
1		Wheel Frame 22	See page A1.1
1		Wheel Frame 16	See page A1.2
2		Seat Frame	See page B1.1
3		Back Frame	See page C1.1
4		Back System Flexi Back Back System Solid Plate	See page C2.1 See page C2.2
5	35519	Bushing	
6	81620	Washer NB 6x19x1	
7	81522	Locking Nut M6	
8	81355	Screw K6S M6x20	
9	35219-1	Bushing	
10	81256	Screw MVBF M6x20	
11	81671	Washer pl. 26x3x6.5	
12	81545	Nut DIN M6 high	
13		Gas Spring tilt	See page.A6.1
14	11039	Pin, Gas spring	
15	81731	Circlip SGA 10	
16	37759-1	Pin	
17		Gas Spring back recline	See page. B3.1
18		Fastening Wheel	See page A2.1

Sammanställning sida 1

Denna ritning får ej kopieras eller överlåtas utan tillstånd av HD Rehab AB



Spare parts**HD Motion****0.2**Refers to exploded view: **Overview page 2**

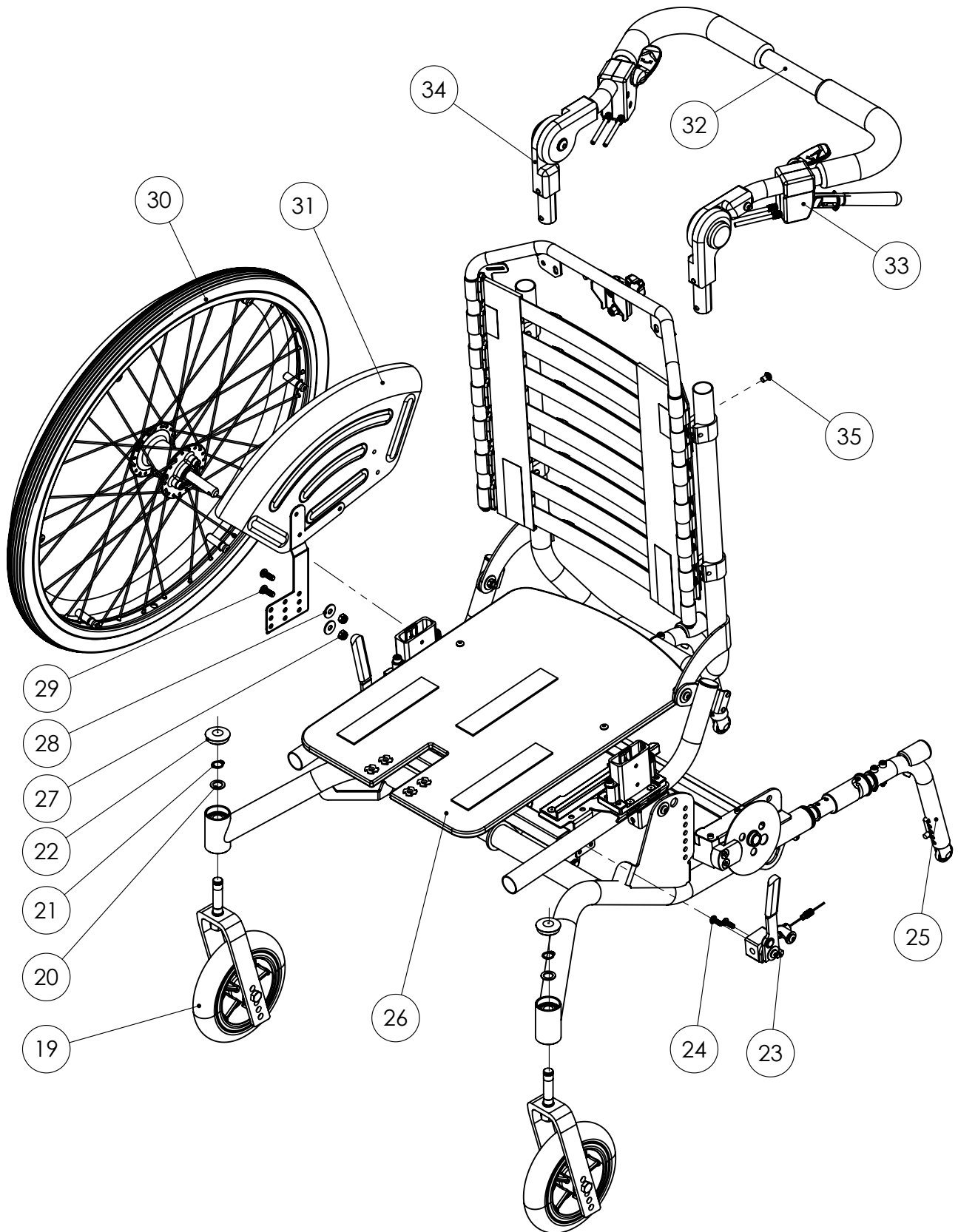
0.2 - rev. A

rev. 2020-06-26

Pos.	Art.no.	Description	Incl.
19		Castors	See page. A3.1
20	81665	Washer PS 12x18x1,2	
21	81735	Circlip SGA 12	
22	82102	Cover plug	
23		User Brake	See page. A7.1
24	81357	Screw K6S M5x14	
25		Antitip device	See page. A5.1
26		Seat plate	See page. B2.1
27	81522	Locking nut M6	
28	81655	Washer 6.4x18x1,6	
29	81294	Screw K6S M6x16	
30		Wheel 20"	See page. A4.1
		Wheel 22"	See page. A4.1
		Wheel 24"	See page. A4.1
		Wheel 16"	See page A4.2
31		Fenders	See page. A9.1
32		Puch Bar	See page C3.1
33		Wire Control	See page C5.1
34		Side Unit	See page C4.1
35	81293	Screw K6S M6x10	

Sammanställning sida 2

Denna ritning får ej kopieras eller överlåtas utan tillstånd av HD Rehab AB



Spare parts**HD Motion****A1.1**Refers to exploded view: **Wheel Frame 22"**

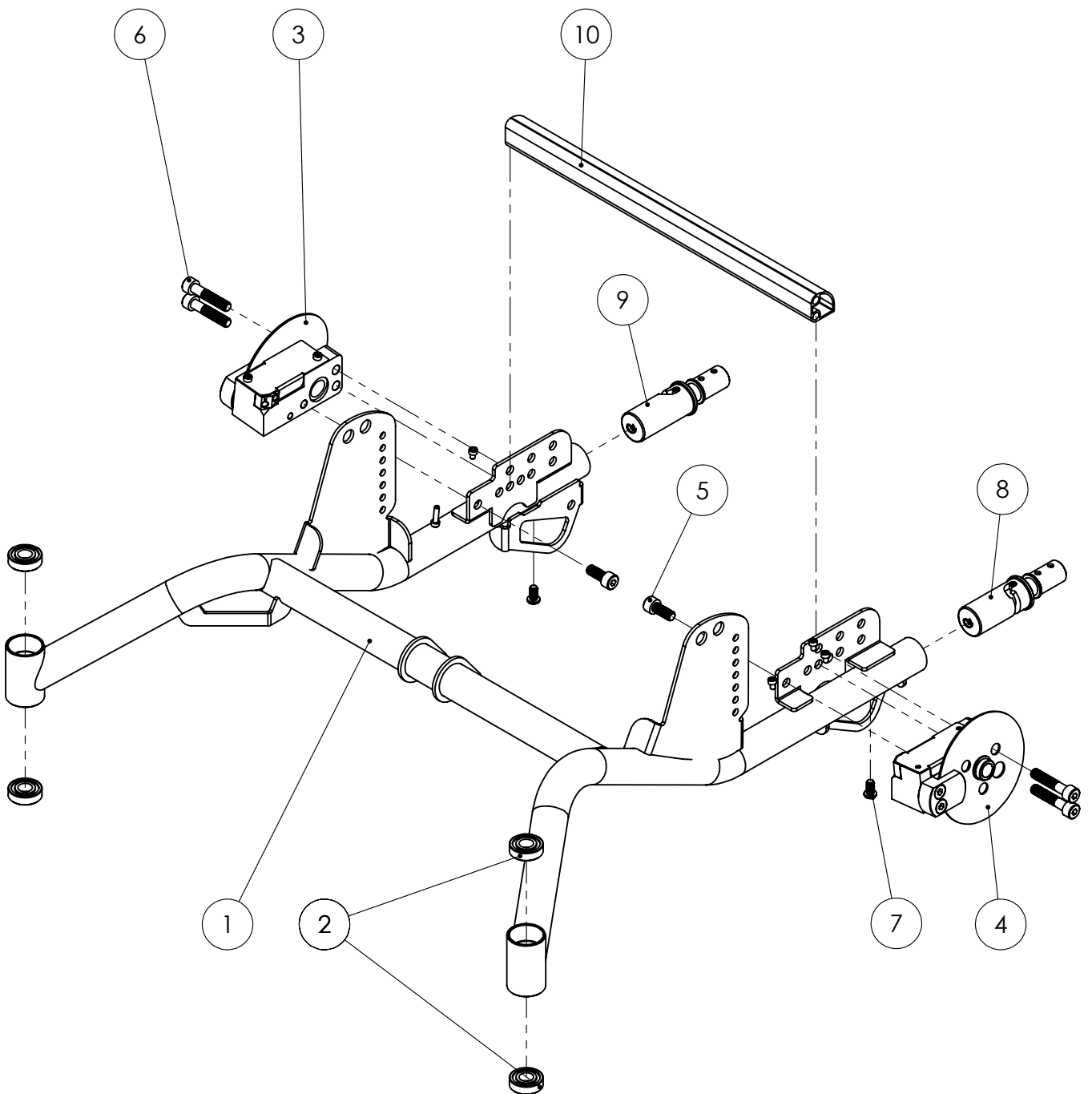
A1.1 - rev. A

rev. 2020-06-09

Pos.	Art.no.	Description	Incl.
1	34510-1	Wheel Frame 22 sw30 Green	
1	34510-3	Wheel Frame 22 sw30 Orange	
1	34510-5	Wheel Frame 22 sw30 Grey	
1	35510-1	Wheel Frame 22 sw34 Green	
1	35510-3	Wheel Frame 22 sw34 Orange	
1	35510-5	Wheel Frame 22 sw34 Grey	
2	82501	Bearing 28x12x8	
3		Fastening wheel right cpl	See page A2.1
4		Fastening wheel left cpl	See page A2.1
5	81286	Screw MC6S M8x20	
6	81247	Screw MC6S M8x40	
7	81354	Screw K6S M6x12	
8		Tip protector mount left cpl	See page A8.1
9		Tip protector mount right cpl	See page A8.1
10	35541	Cross Bar al sw34	
10	34541	Cross Bar al sw30	

Hjulram 22"

Denna ritning får ej kopieras eller överlätas utan tillstånd av HD Rehab AB



Spare parts**HD Motion****A1.2**Refers to exploded view: **Wheel Frame 16"**

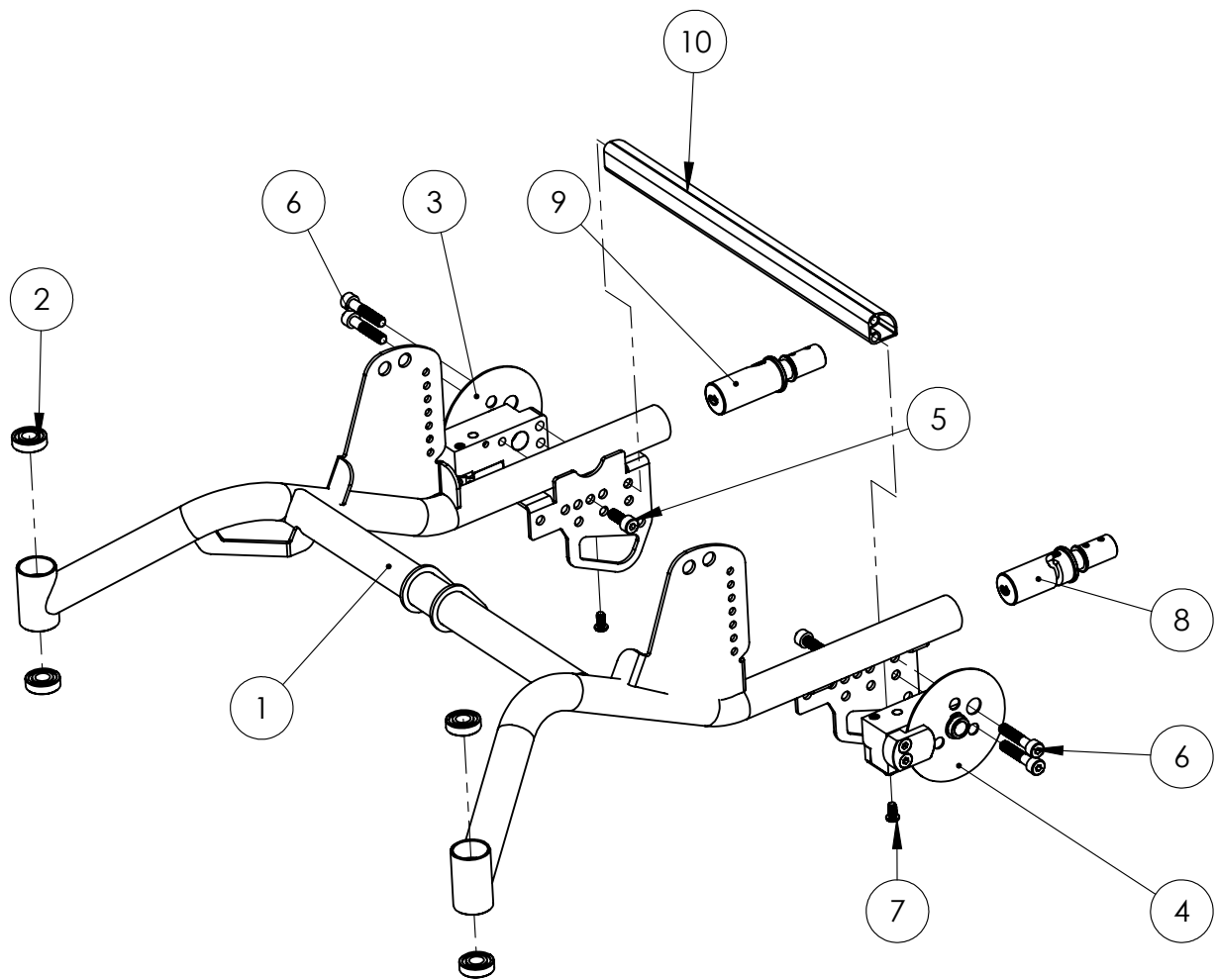
A1.2 - rev. A

rev. 2020-06-09

Pos.	Art.no.	Description	Incl.
1	34610-1	Wheel Frame 16 sw30 Green	
1	34610-3	Wheel Frame 16 sw30 Orange	
1	34610-5	Wheel Frame 16 sw30 Grey	
1	35610-1	Wheel Frame 16 sw34 Green	
1	35610-3	Wheel Frame 16 sw34 Orange	
1	35610-5	Wheel Frame 16 sw34 Grey	
2	82501	Bearing 28x12x8	
3		Fastening wheel right cpl	See page A2.1
4		Fastening wheel left cpl	See page A2.1
5	81286	Screw MC6S M8x20	
6	81247	Screw MC6S M8x40	
7	81354	Screw K6S M6x12	
8		Tip protector mount left cpl	See page A8.1
9		Tip protector mount right cpl	See page A8.1
10	35541	Cross Bar al sw34	
10	34541	Cross Bar al sw30	

Hjulram 16"

Denna ritning får ej kopieras eller överlämnas utan tillstånd av HD Rehab AB



Spare parts**HD Motion****A2.1**Refers to exploded view: **Wheel mount**

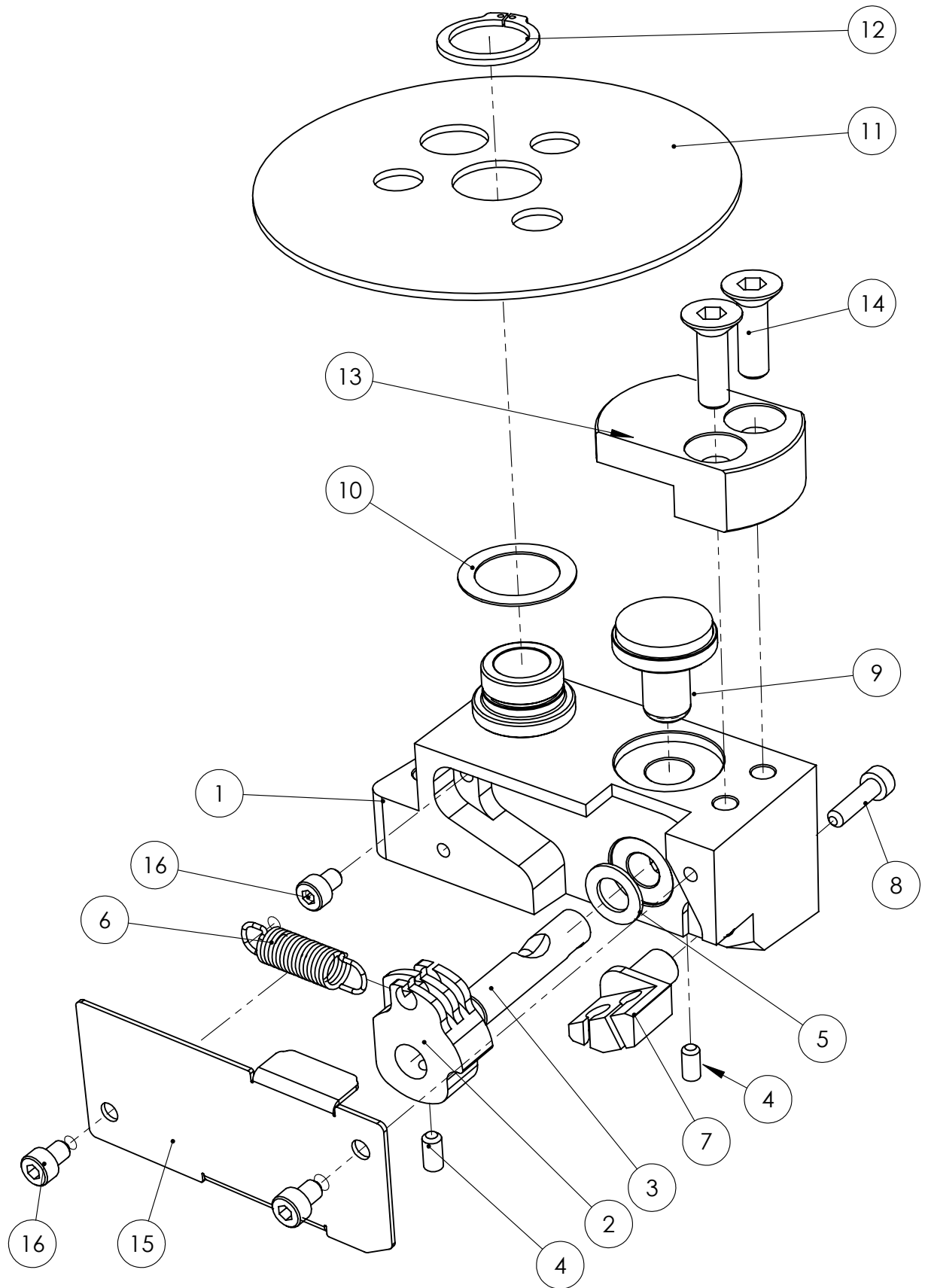
A2.1 - rev. A

rev. 2020-11-10

Pos.	Art.no.	Description	Incl.
	37210	Wheel mount cambered left cpl	1-17
	37220	Wheel mount cambered right cpl	1-17
	37240	Wheel mount straight right cpl	1-17
	37245	Wheel mount straight left cpl	1-17
1		Wheel mount cambered left	
1		Wheel mount cambered right	
1		Wheel mount straight left	
1		Wheel mount straight right	
		Actuator right cpl	2-4
		Actuator left cpl	2-4
2		Actuator plate	
3		Actuator pin right	
3		Actuator pin left	
4		Screw P6SS M4x8	
5	81645	Washer PS 8x14x1	
6	81863	Spring	
7		Wire guide right	
7		Wire guide left	
8	81269	Screw MC6S M4x16	
9		Brake piston	
10	81644	Washer PA broms	
11		Brake Disc	
12	81736	Circlip SGA 17	
13		Brake pad	
14	81226	Screw F6S M6x20	
15		Wheel mount cover right	
15		Wheel mount cover left	
16	81242	Screw MC6S M4x6 fzb	

Hjulfäste skivbroms

Denna ritning får ej kopieras eller överlåtas utan tillstånd av HD Rehab AB



Spare parts**HD Motion****A3.1**Refers to exploded view: **Castors**

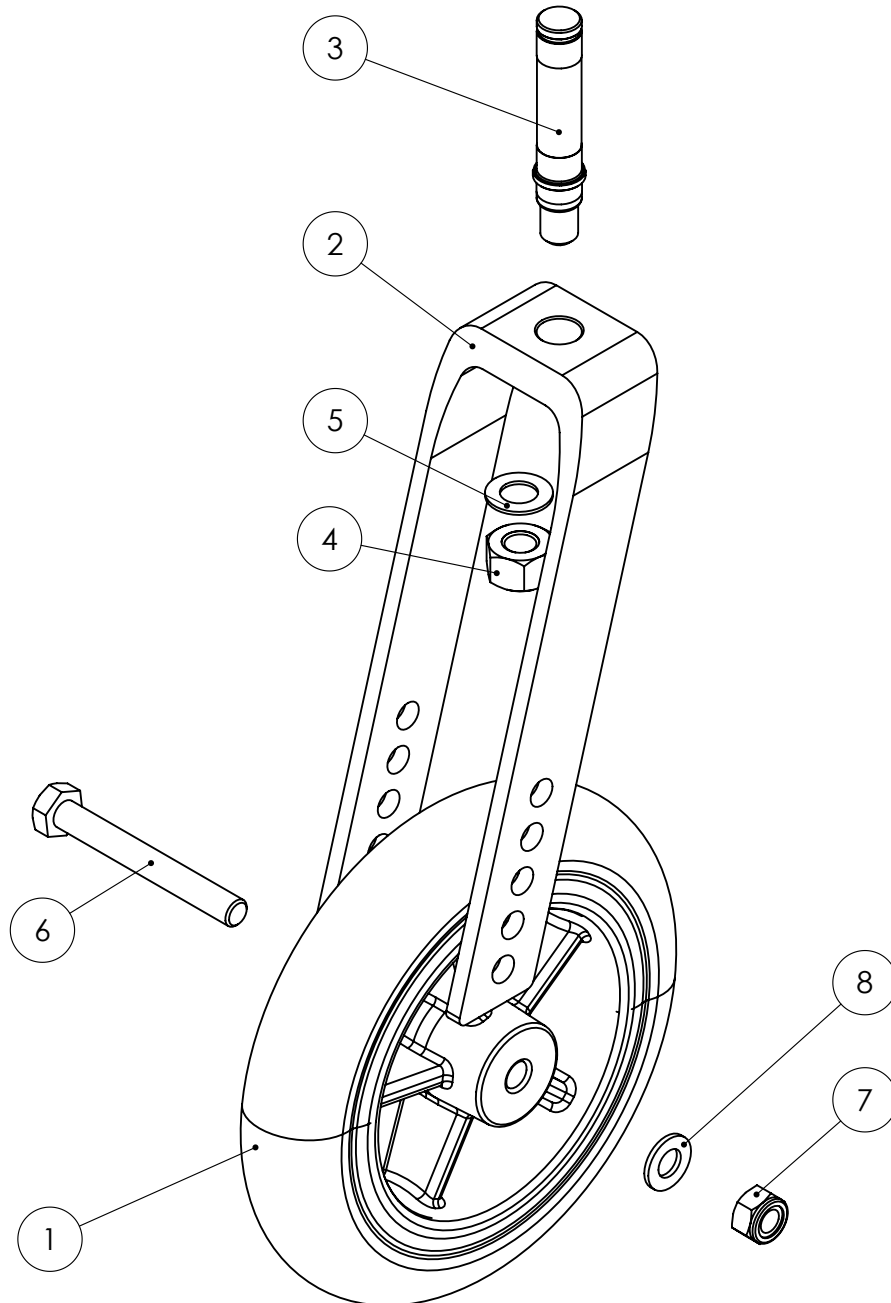
A3.1 - rev. A

rev. 2020-06-26

Pos.	Art.nr.	Benämning	Incl.
	67351	Castor 150x30 PUR	1-8
	67352	Castor 150x33	1-8
	67326	Fork, castor cpl	2-5
1	67342	Front Castors 150x30 PUR	
1	67343	Front Castors 150x33 Rubber	
2		Fork, castor	
3		Pin, fork	
4		Locking Nut M10 FZB	
5		Washer 10,2x18x1 fzb	
6	81200	Screw M6S M8x65 (till 67351)	
6	81208	Screw M6S M8x70 (till 67352)	
7	81523	Locking Nut M8 FZB	
8	81603	Washer BRB 8,4x16x1,5	

Länkhjul

Denna ritning får ej kopieras eller överlåtas utan tillstånd av HD Rehab AB



Spare parts**HD Motion****A4.1**Refers to exploded view: **Wheels 20", 22" & 24"**

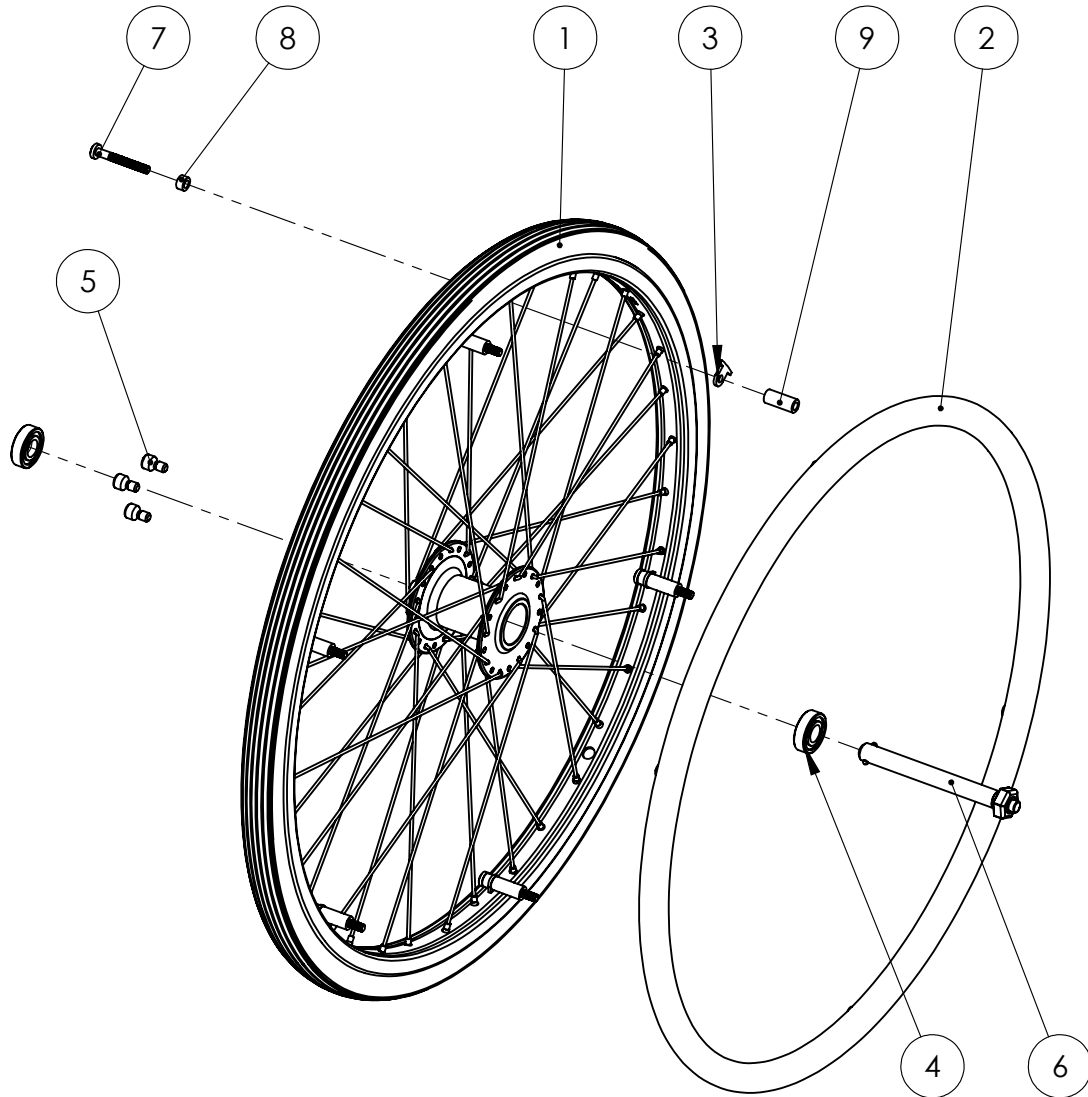
A4.1 - rev. A

rev. 2020-11-09

Pos.	Art.no.	Description	Incl.
	37515-2	Wheel 20" PUR, stainless handrim	1-9
	37515-3	Wheel 20" PUR, PL coated handrim	1-9
	37518-2	Wheel 20" Air, stainless handrim	1-9
	37518-3	Wheel 20" Air, PL coated handrim	1-9
	37501-2	Wheel 22" PUR, stainless handrim	1-9
	37501-3	Wheel 22" PUR, PL coated handrim	1-9
	37502-2	Wheel 22" Air, stainless handrim	1-9
	37502-3	Wheel 22" Air, PL coated handrim	1-9
	37525-2	Wheel 24" PUR, stainless handrim	1-9
	37525-3	Wheel 24" PUR, PL coated handrim	1-9
	37527-2	Wheel 24" Air, stainless handrim	1-9
	37527-3	Wheel 24" Air, PL coated handrim	1-9
1	85159	Tyre 20" PUR grey	
1	85180	Tyre 20" x1 black (for Air)	
1	85158	Tyre 22" PUR black	
1	85186	Tyre 22" x1 black (for Air)	
1	85149	Tyre 24" PUR grey	
1	15453	Tyre 24" x1 3/8 grey (for Air)	
1	85174	Tube 20" x1 valve	
1	85175	Tube 22" x1	
1	15462	Tube 24" x1	
2	15592	Handrim 20" Stainless 6p	
2	15593	Handrim 20" Polymer Soft Grip 6p	
2	15582	Handrim 22" Stainless 6p	
2	15583	Handrim 22" Polymer Soft Grip 6p	
2	15492	Handrim 24" Stainless 6p	
2	15493	Handrim 24" Polymer Soft Grip 6p	
3		Pushrim Fixing clips	
4	82501	Bearing 28x12x8	
5	15432-5	Pin for wheel 12"	
6	15431	Axle QR 12x107	
7	81108	Screw MRX 5x40 fzb	
8		Spacer handrim short 10x5	
9		Spacer handrim long 10x22	
	15441-1	Spacers for Rims, standard cpl kit 6p	7-9
	15499-1	Adapter handrims inward positioned 6p (kit for 1 wheel)	10-11
	15449-2	Adapter handrims inward positioned 6p (kit for 2 wheels)	10-11
10		Screw MRX 5x25 fzb	
11		Spacer inward positioned pl.	

Drivhjul 20", 22", 24"

Denna ritning får ej kopieras eller överlämnas utan tillstånd av HD Rehab AB



Spare parts**HD Motion****A4.2**Refers to exploded view: **Wheels 16"**

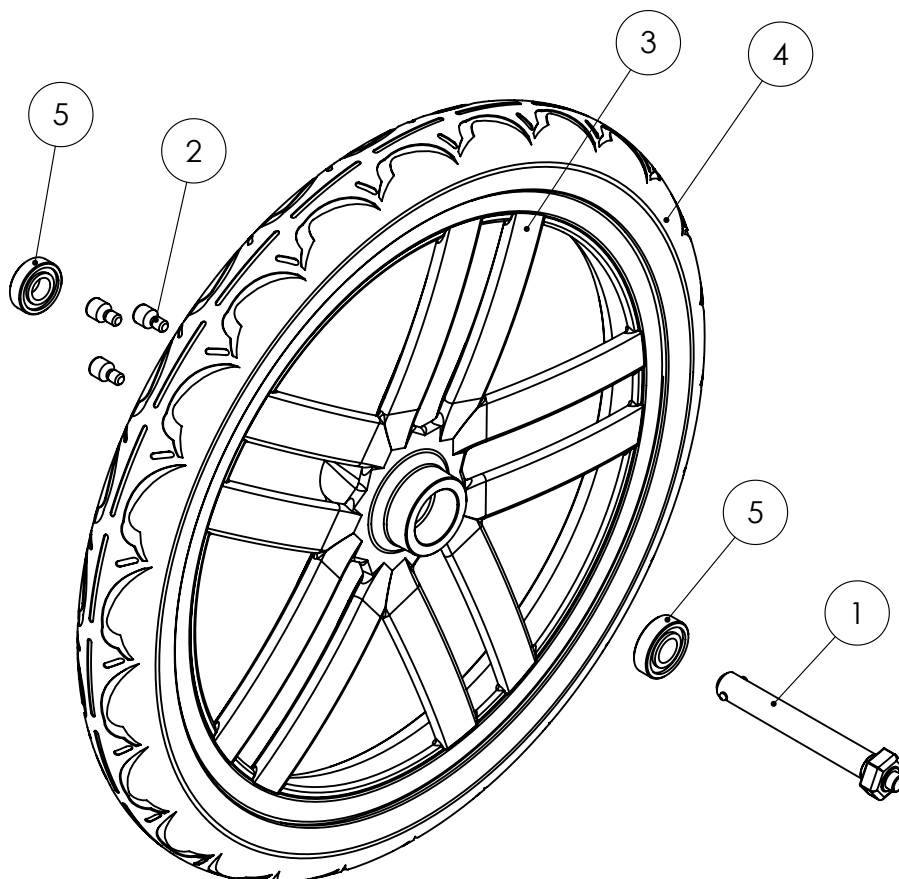
A4.2 - rev. A

rev. 2020-06-09

Pos.	Art.no.	Description	Incl.
	37551-1	Wheel 16 PUR Black with axle	1-5
1	37582	Wheel 16 PUR Black without axle Axle 16 cpl with nut	2-5
2		Pin for wheel 16 Rim 16 with bearings	3-5
3		Rim 16 black	
4	85168	Tyre 16" PUR black	
5	82501	Bearing 28x12x8	

Drivhjul 16"

Denna ritning får ej kopieras eller överlämnas utan tillstånd av HD Rehab AB



Spare parts**HD Motion****A5.1**Refers to exploded view: **Tip protector**

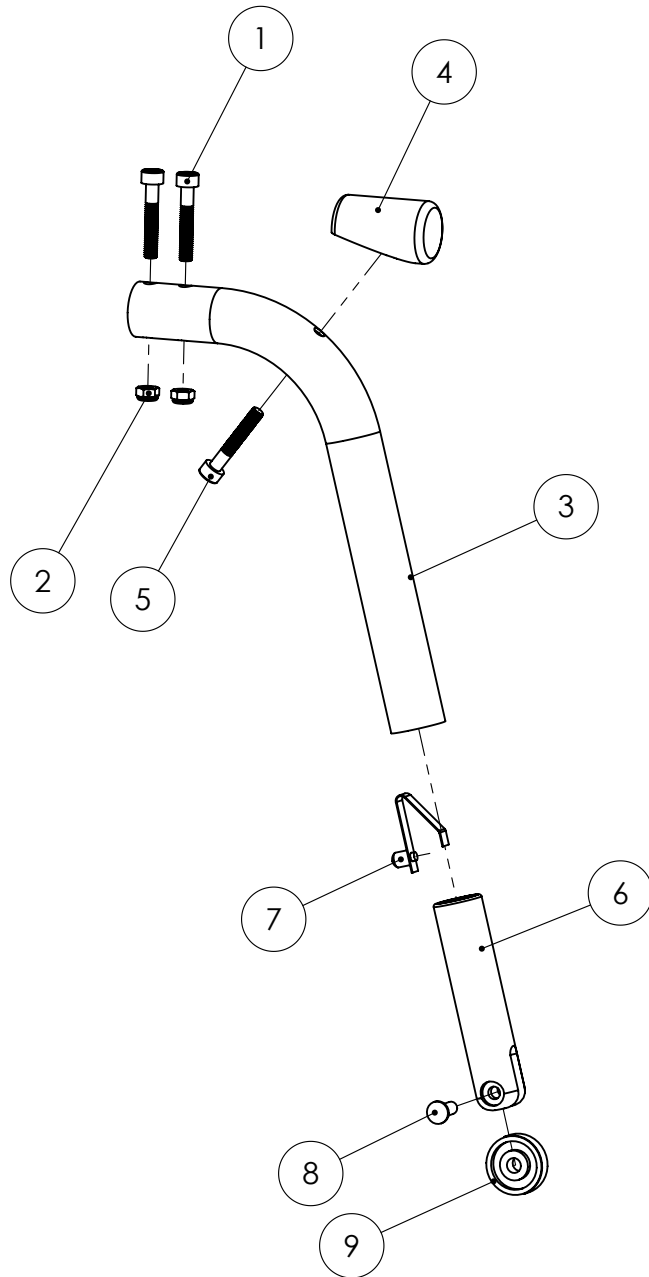
A5.1 - rev. A

rev. 2020-11-10

Pos.	Art.no.	Description	Incl.
	35581	Tip protector left cpl	1-9
	35582	Tip protector right cpl	1-9
		Tip protector mount left kpl	See page A8.1
		Tip protector mount right cpl	See page A8.1
		Tube tip protector	3-5
		Holder wheel cpl	6-9
1	81397	Screw K6S M5x25 fzb 10.9	
2	81504	Nut M6M 5	
3		Tube	
4		Knob	
5	81246	Screw MC6S M5x30	
6		Holder wheel	
7	35587	Locking knob, snap-in	
8		Tubular KHN 5x14 fzb	
9		PA wheel 24mm	

Tippskydd

Denna ritning får ej kopieras eller överlåtas utan tillstånd av HD Rehab AB



Spare parts**HD Motion****Blad A6.1**

Avser sprängskiss:
A6.1 - rev. B

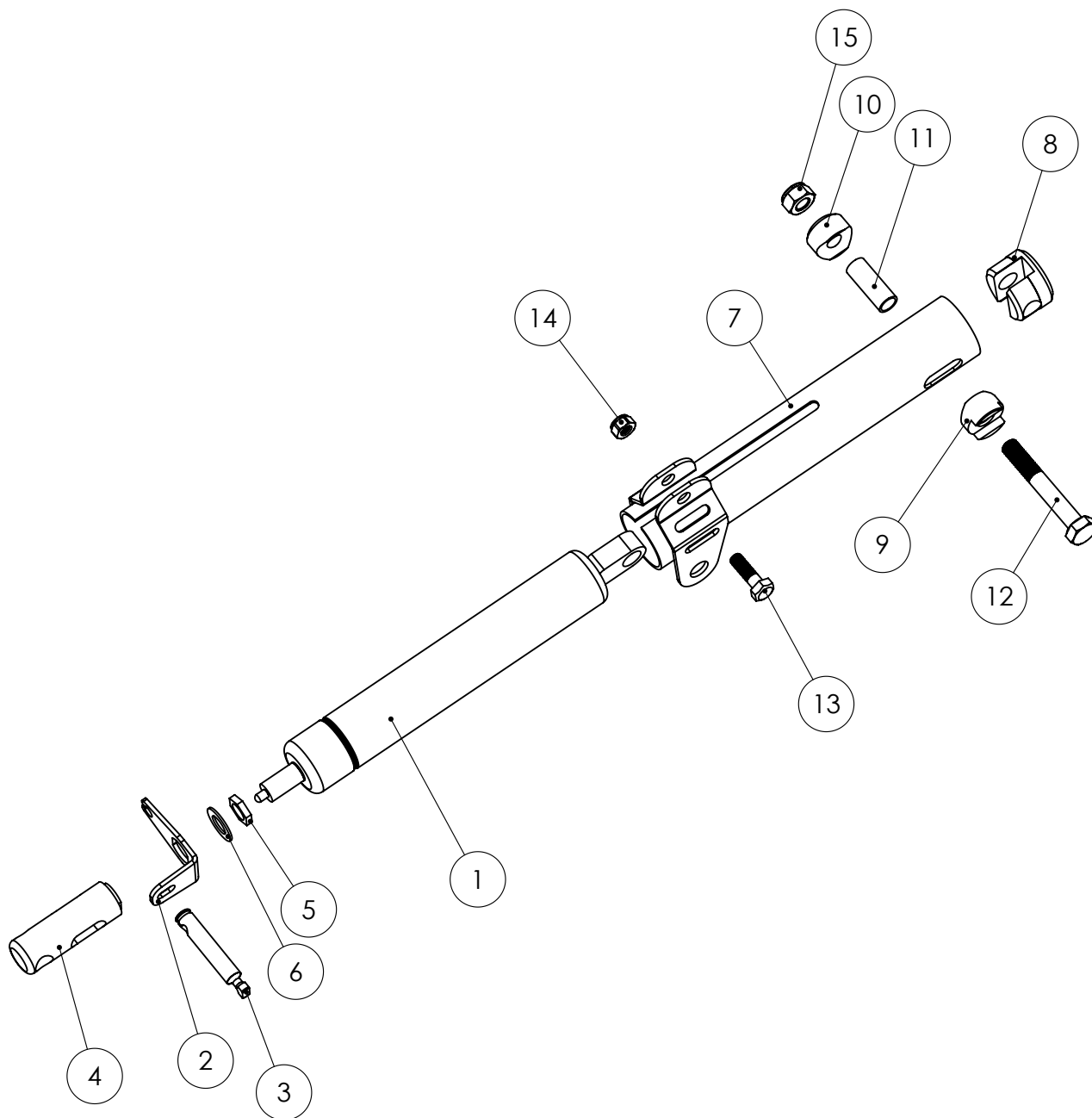
Gas Spring

rev. 2020-11-03

Pos.	Art.no.	Description	Incl.
	37755	Gas Spring cpl with holder, ver. 2	1-15
	37752	Gasfjäder tilt-rygg kpl	1-6
1	11167	Gasfjäder	
2		Vinkelplåt gasfjäder	
3		Utlösartapp	
4		Stång gasfjäder	
5	81511	Mutter M6M 10x1 mässing	
6	81615	Bricka 10,2x18x1 fzb	
7		Hållare gasfjäder ver. 2	
8		Stöd hjulramsinfästning	
9		Låsbricka hjulramsinfästning	
10		Låsbricka hjulramsinfästning	
11		Bussning hjulramsinfästning	
12	81218	Bult M6S M8x55	
13	81219	Bult M6S M6x20	
14	81522	Låsmutter M6	
15	81523	Låsmutter M8	

Gasfjäder tilt

Denna ritning får ej kopieras eller överlätas utan tillstånd av HD Rehab AB



Spare parts**HD Motion****A7.1**Refers to exploded view: **User Brake**

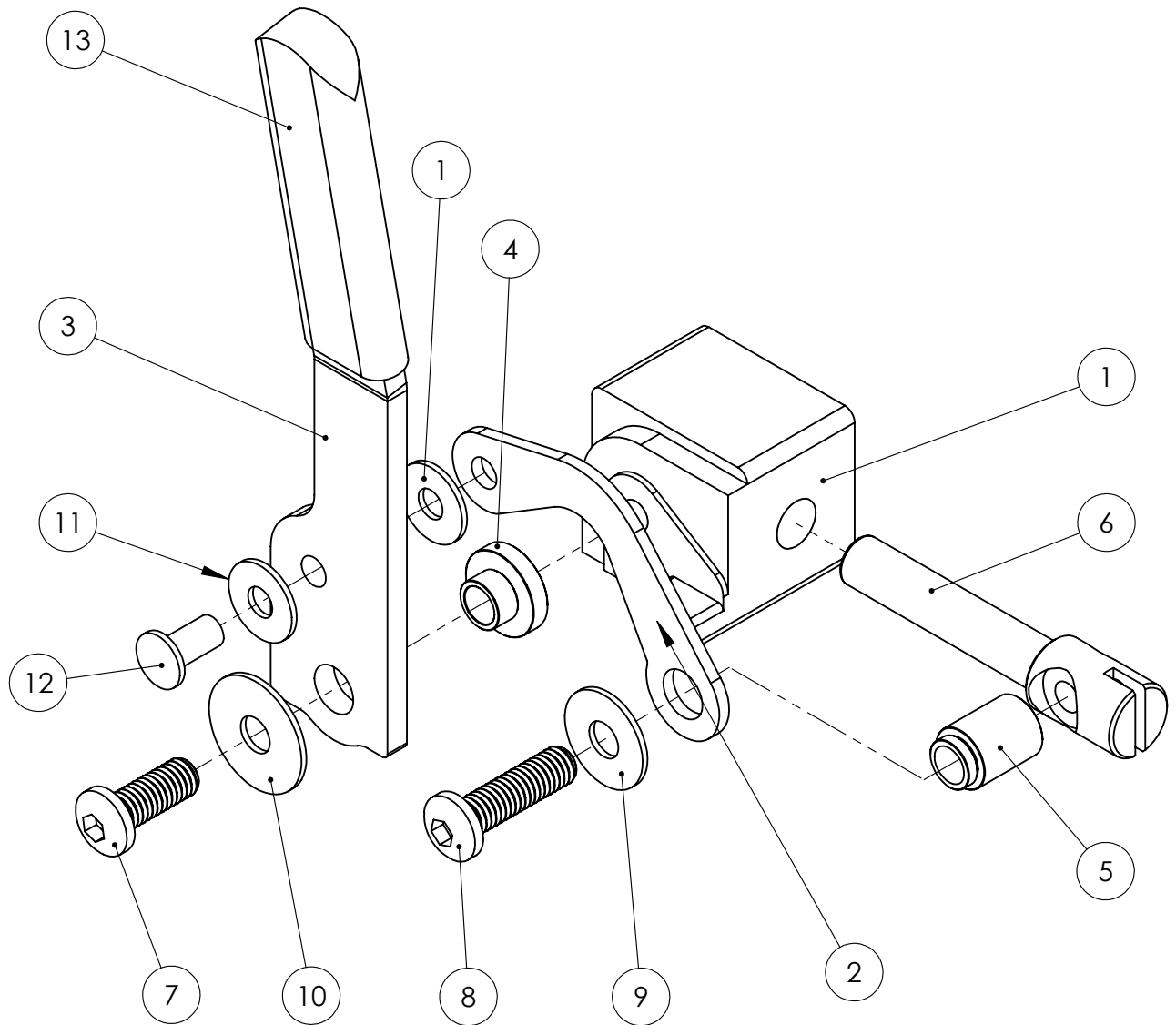
A7.1 - rev. A

rev. 2020-06-09

Pos.	Art.no.	Description	Incl.
	37110	User Brake left cpl	1-13
	37120	User Brake right cpl	1-13
1		User brake block left	
1		User brake block right	
2		Brake arm	
3		Lever User brake left	
3		Lever User brake right	
4		Spacer for lever user brake	
5		Spacer, user brake	
6		Draw Pin	
7	81294	Screw K6S M6x16 fzb	
8	81363	Screw K6S M6x22 fzb	
9	81607	Washer NB 6x16x1 fzb	
10	81620	Washer NB 6x19x1 sv.	
11	81630	Washer NB 5x13x1	
12		Tubular rivet KHN 5x10 fzb	
13	82159	Handle Softex 12mm	

Brukarbroms

Denna ritning får ej kopieras eller överlåtas utan tillstånd av HD Rehab AB



Spare parts**HD Motion****A8.1**Refers to exploded view: **Tip Protector mount**

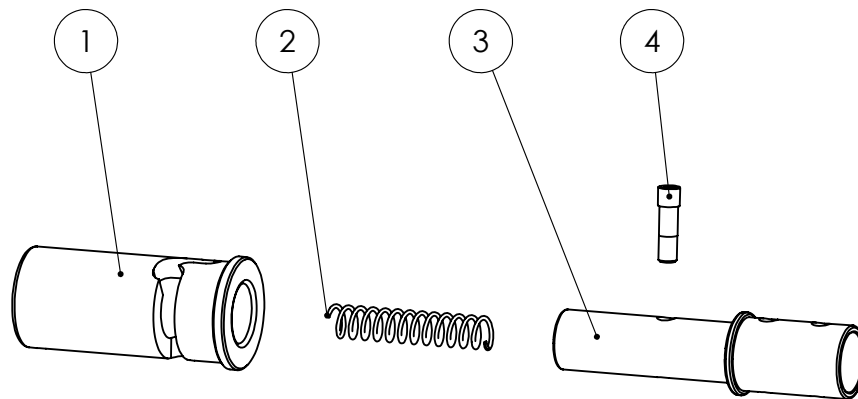
A8.1 - rev. A

rev. 2020-06-09

Pos.	Art.no.	Description	Incl.
	35581-5	Tip protector mount left cpl	1-4
	35582-5	Tip protector mount right cpl	1-4
1		Holder Tip protector fastening left	
1		Holder Tip protector fastening right	
2	81852	Spring	
3		Pin, antitip device	
4		Screw antitip device	

Styrning tippskydd

Denna ritning får ej kopieras eller överlämnas utan tillstånd av HD Rehab AB



Spare parts**HD Motion****A9.1**Refers to exploded view: **Fenders**

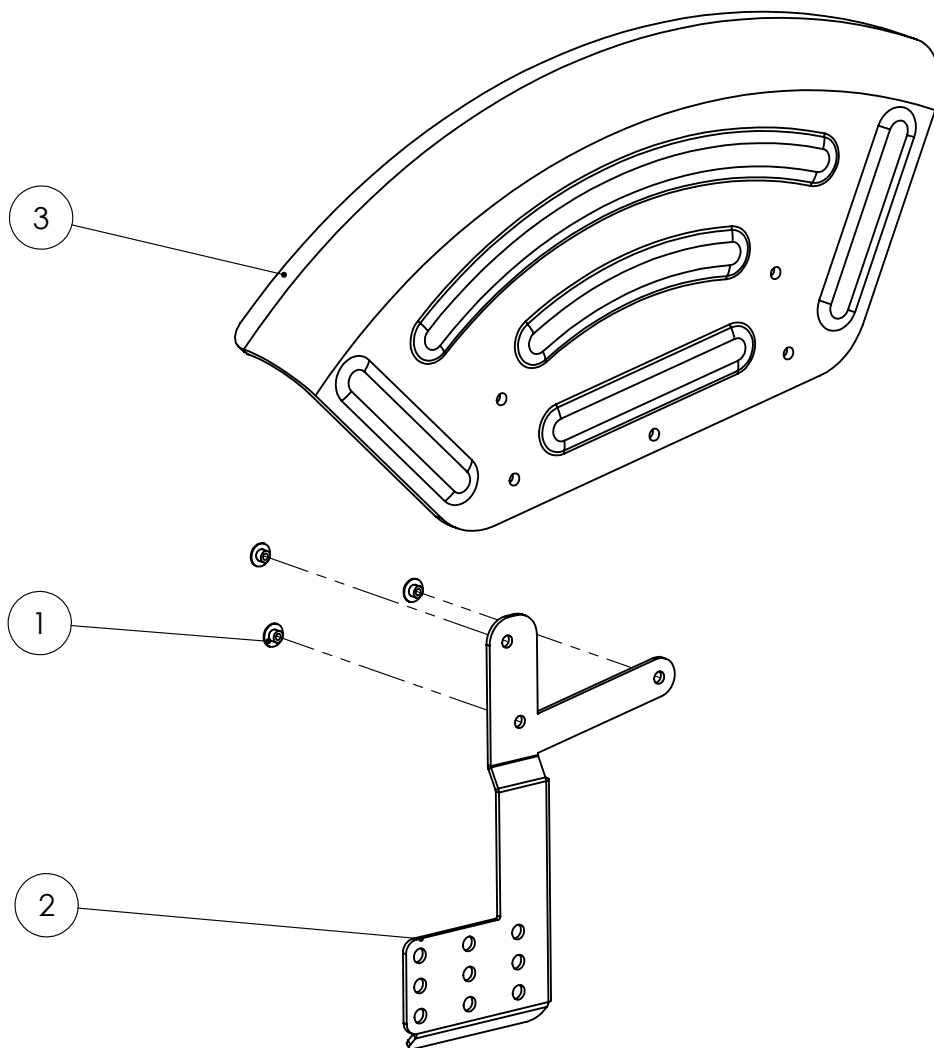
A9.1 - rev. A

rev. 2020-06-09

Pos.	Art.no.	Description	Incl.
	37291	Fenders left cpl for 20", 22" & 24"	1-3
	37292	Fenders right cpl for 20", 22" & 24"	1-3
1	81455	Blind rivet 4,8x8	
2		Fastening plate left	
2		Fastening plate right	
3		Fender	

Stänkskydd

Denna ritning får ej kopieras eller överlåtas utan tillstånd av HD Rehab AB



Spare parts**HD Motion****A10.1**Refers to exploded view: **Spoke Protection**

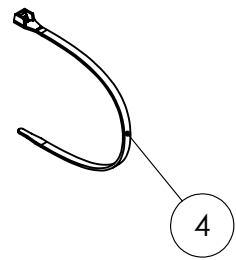
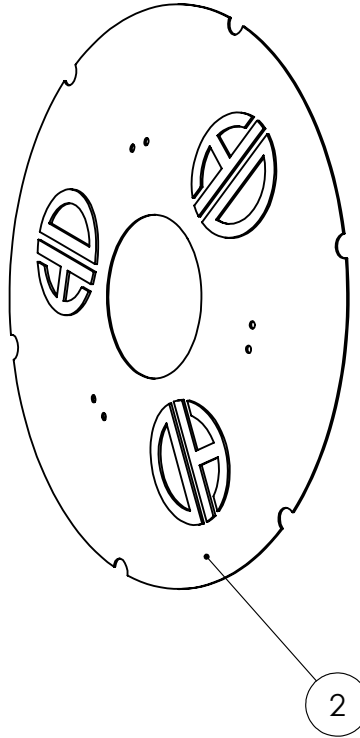
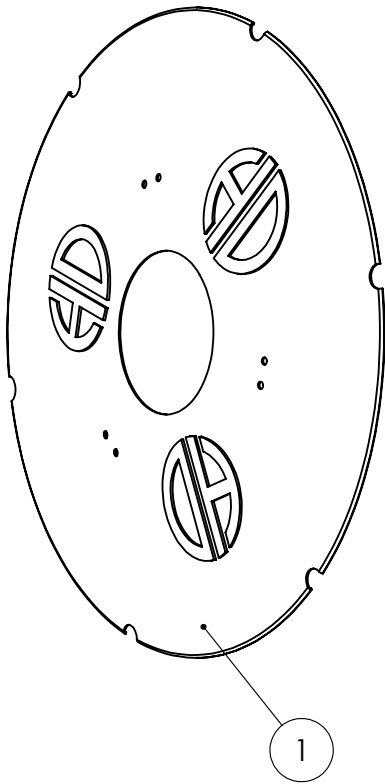
A10.1 - rev. A

rev. 2020-06-10

Pos.	Art.no.	Description	Incl.
1	15471	Spoke protection 24" x6	
4	84521	Cable Tie 100x2.5 white/nature (incl. in art. no. 15471)	
2	15473	Spoke protection 22" x6	
4	84521	Cable Tie 100x2.5 white/nature (incl. in art. no. 15473)	
3	15472	Spoke protection 20" x6	
4	84521	Cable Tie 100x2.5 white/nature (incl. in art. no. 15472)	

Ekerskydd

Denna ritning får ej kopieras eller överlåtas utan tillstånd av HD Rehab AB



Spare parts**HD Motion****B1.1**Refers to exploded view: **Seat Frame**

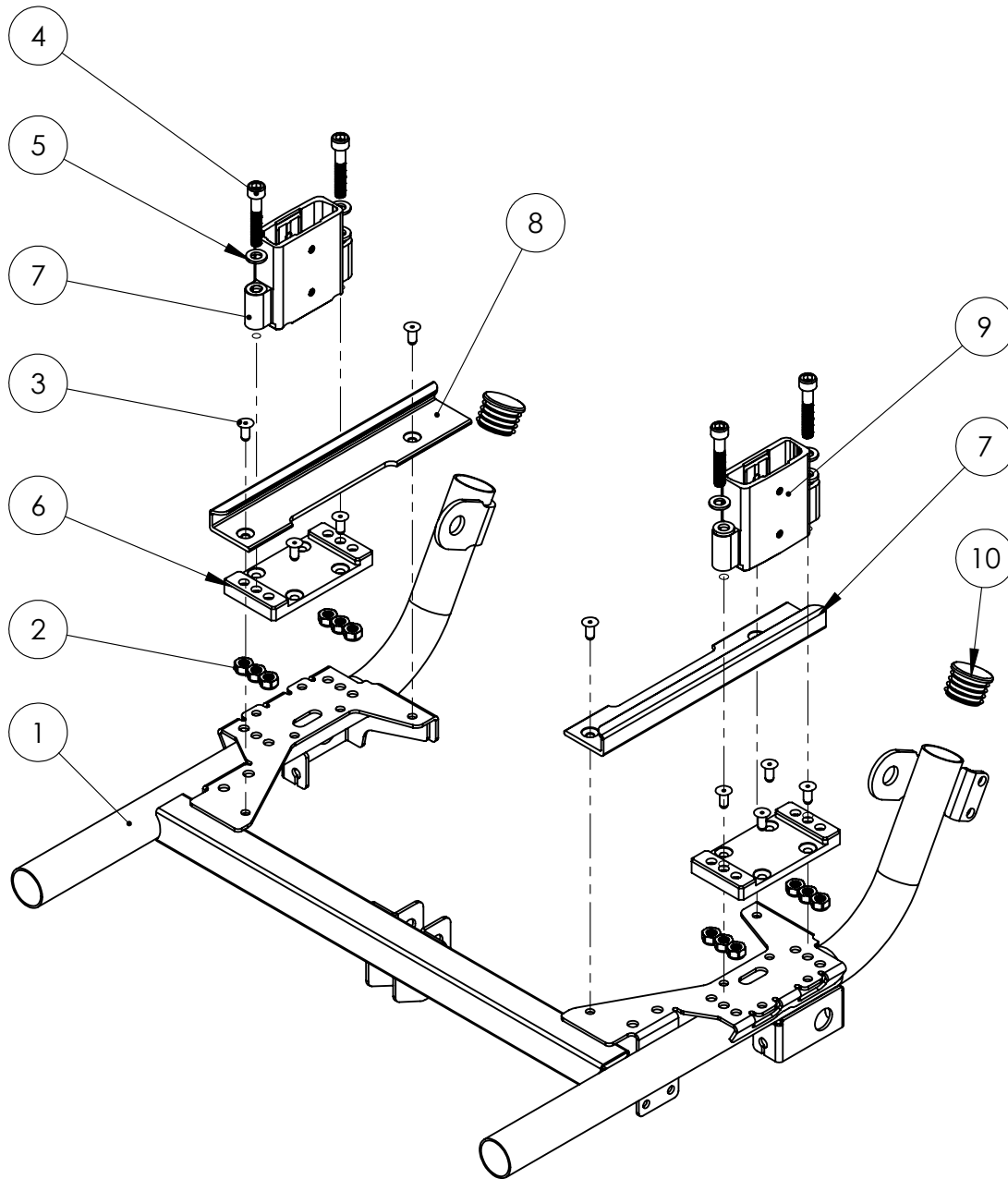
B1.1 - rev. A

rev. 2020-06-04

Pos.	Art.no.	Description	Incl.
	34101-1	Seat Frame mounted sw30 long Green	1-10
	34101-3	Seat Frame mounted sw30 long Orange	1-10
	34101-5	Seat Frame mounted sw30 long Grey	1-10
	34105-1	Seat Frame mounted sw30 short Green	1-10
	34105-3	Seat Frame mounted sw30 short Orange	1-10
	34105-5	Seat Frame mounted sw30 short Grey	1-10
	35101-1	Seat Frame mounted sw34 long Green	1-10
	35101-3	Seat Frame mounted sw34 long Orange	1-10
	35101-5	Seat Frame mounted sw34 long Grey	1-10
	35105-1	Seat Frame mounted sw34 short Green	1-10
	35105-3	Seat Frame mounted sw34 short Orange	1-10
	35105-5	Seat Frame mounted sw34 short Grey	1-10
	35199-1	Screw kit cpl.	2-5
1		Seat Frame sw30 long Green	
1		Seat Frame sw30 long Orange	
1		Seat Frame sw30 long Grey	
1		Seat Frame sw30 short Grey	
1		Seat Frame sw30 short Orange	
1		Seat Frame sw30 short Grey	
1		Seat Frame sw34 long Green	
1		Seat Frame sw34 long Orange	
1		Seat Frame sw34 long Grey	
1		Seat Frame sw34 short Green	
1		Seat Frame sw34 short Orange	
1		Seat Frame sw34 short Grey	
2	81522	Locking nut M6	
3	81446	Blind rivet 4,8x12x120 St	
4	81295	Screw MC6S M6x35 fzb	
5	81602	Washer BRB6.4x12x1.5	
6		Nut Plate	
7		Rail seat frame left	
8		Rail seat frame right	
9		Fastening armrest on seat frame cpl	See page B4.1
10	82122	Cover plug for seat frame	

Sitsram

Denna ritning får ej kopieras eller överlåtas utan tillstånd av HD Rehab AB



Spare parts**HD Motion****B2.1**Refers to exploded view: **Seat Plate**

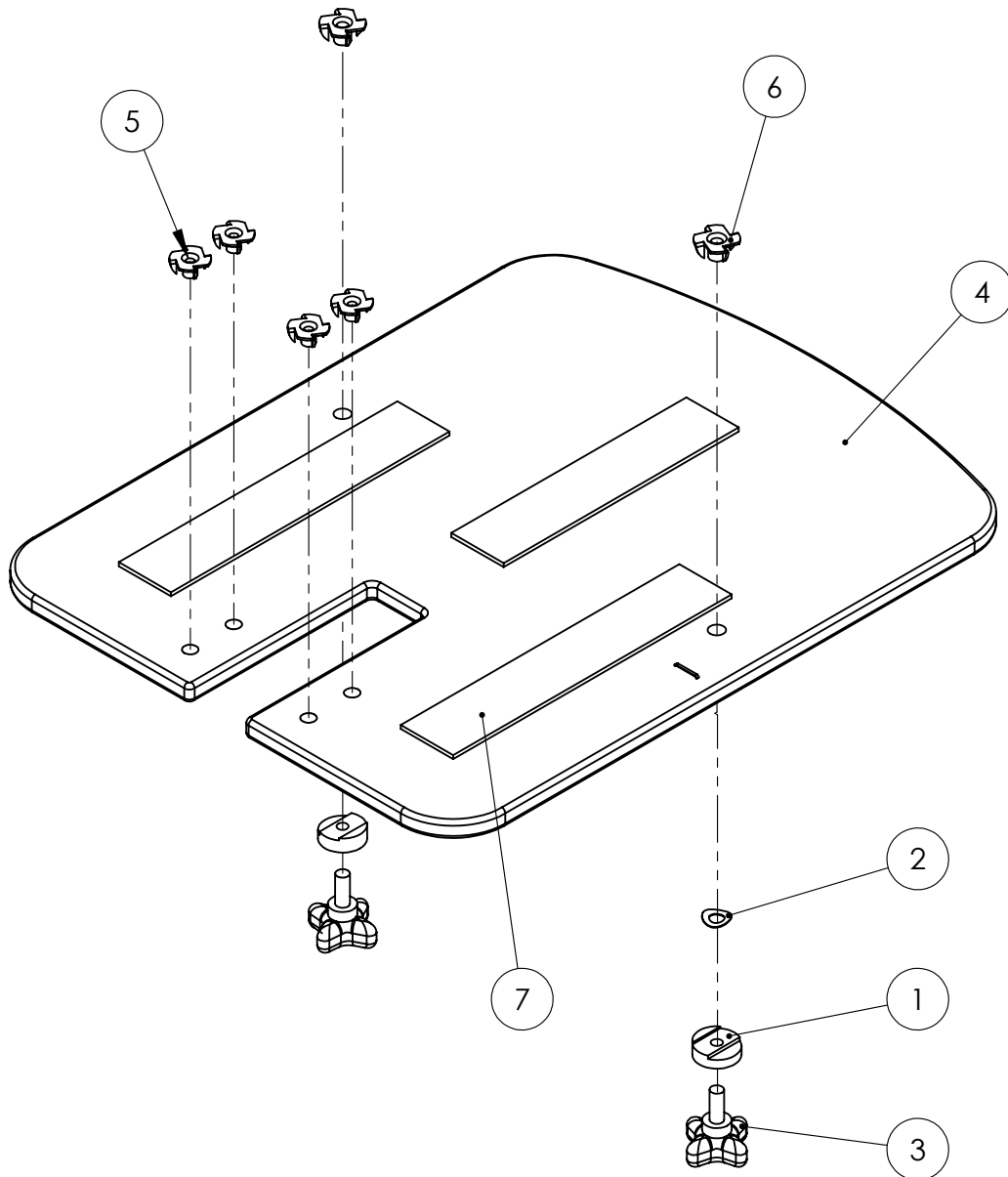
B2.1 - rev. A

rev. 2020-06-12

Pos.	Art.no.	Description	Incl.
	38115-1	Seat Plate sw30 long cpl with nut	1-7
	38117-1	Seat Plate sw30 short cpl with nut	1-7
	38110-1	Seat Plate sw34 long cpl with nut	1-7
	38112-1	Seat Plate sw34 short cpl with nut	1-7
	38115	Seat Plate sw30 long cpl	4-7
	38117	Seat Plate sw30 short cpl	4-7
	38110	Seat Plate sw34 long cpl	4-7
	38112	Seat Plate sw34 short cpl	4-7
1	38119	Washer seat plate	
2	81622	Washer KBB 6.4x11	
3	81953	Knob M6x15 Braga 32x21 black	
4		Seat Plate sw30 long	
4		Seat Plate sw30 short	
4		Seat Plate sw34 long	
4		Seat Plate sw34 short	
5	81535	Tee nut M5x8 black	
6	81536	Tee nut M6x9 black	
7	87002	Velcro 30mm hook	

Sittbricka kpl

Denna ritning får ej kopieras eller överlåtas utan tillstånd av HD Rehab AB



Spare parts**HD Motion****B3.1**Refers to exploded view: **Gas Spring Back Recline & Fixed Back Bar**

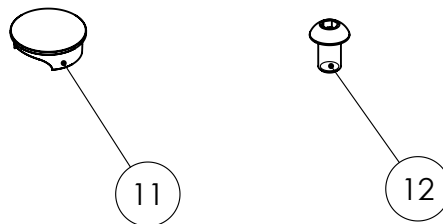
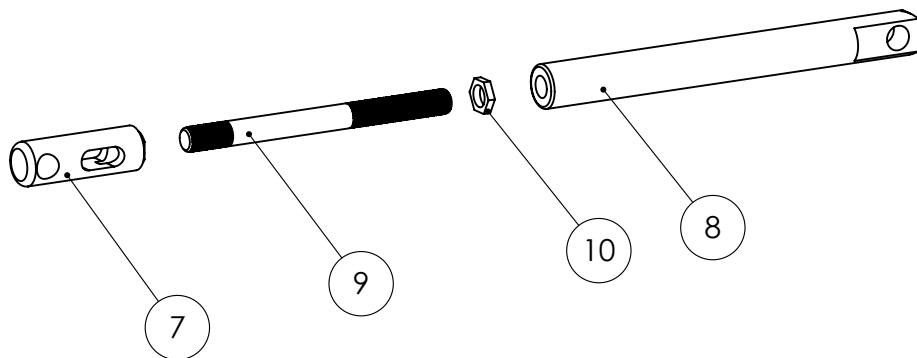
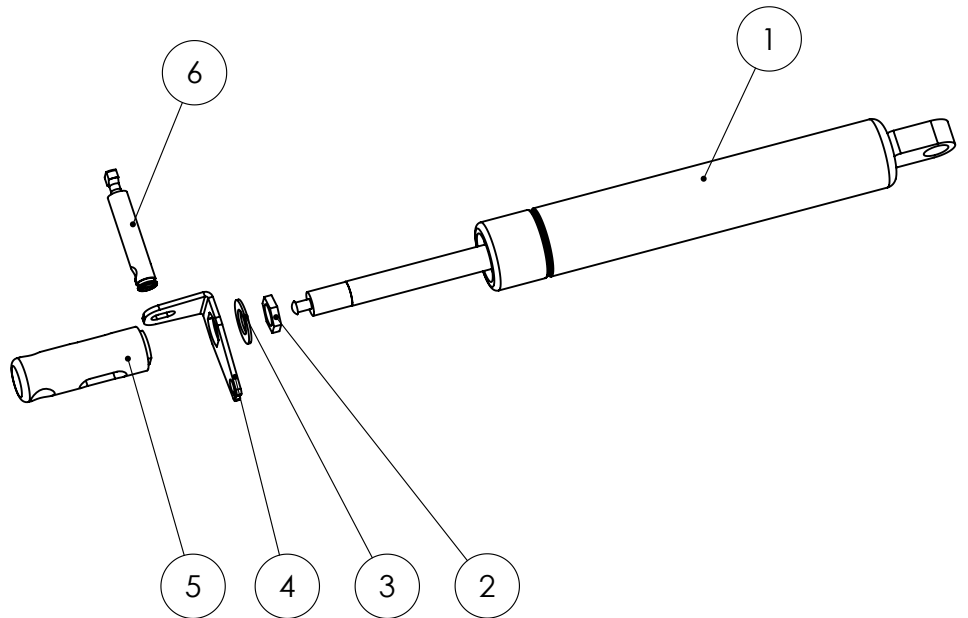
B3.1 - rev. B

rev. 2020-11-10

Pos.	Art.no.	Description	Incl.
	37752	Gas Spring for Tilt/Back recline	1-6
1	11167	Gas Spring	
2		Nut M6M 10x1 brass	
3	81615	Washer 10,2x18x1 fzb	
4		Angle plate gas spring	
5		Gas spring rod	
6	67711-6	Pin, holder gas spring	
	37761	Fixed Back Bar 90°-105° cpl	7-12
7		Gas Spring rod	
8		Holder for Fixed Back Bar	
9		Threaded Rod Fixed back bar	
10		Nut M6M 10x1 brass	
11	81293	Screw K6S M6x10 sv	
12	82138	Cover plug	

Gasfjäder Rygg

Denna ritning får ej kopieras eller överlåtas utan tillstånd av HD Rehab AB



Spare parts**HD Motion****B4.1**Refers to exploded view: **Armrest bracket**

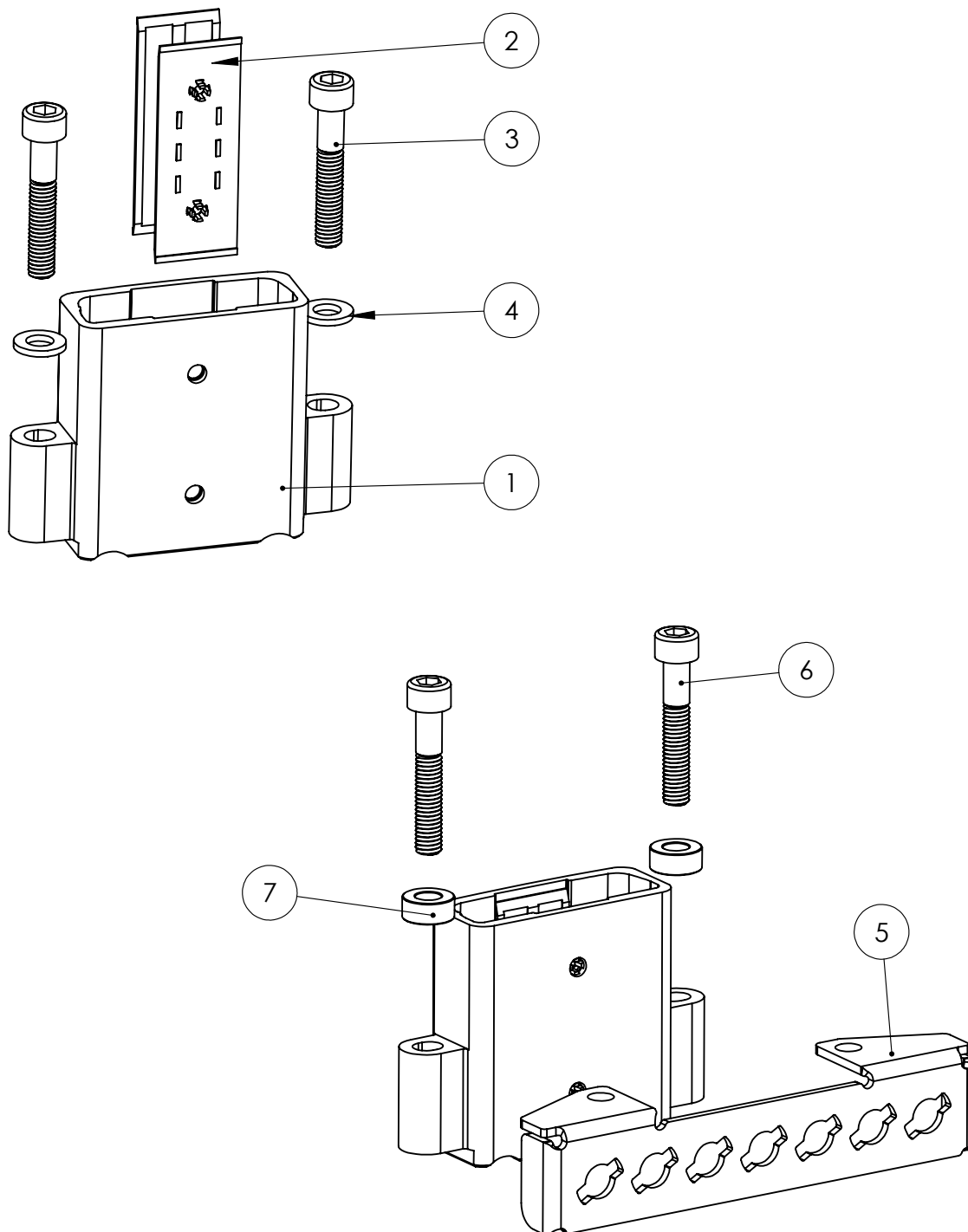
B4.1 - rev. B

rev. 2020-11-03

Pos.	Art.no.	Description	Incl.
	35160	Armrest bracket cpl	1-2
1		Armrest bracket	
2		Armrest Glide plate	
3	81295	Screw MC6S M6x35 fzb	
4	81602	Washer BRB6,4x12x1,5	
5		Belt mounting rail left	See page F4.1
5		Belt mounting rail right	See page F4.1
6	81300	Screw MC6S M6x40 fzb (for belt mounting rail)	
7	39723-5	Spacer (for belt mounting rail)	

Armstödsfäste

Denna ritning får ej kopieras eller överlåtas utan tillstånd av HD Rehab AB



Spare parts**HD Motion****C1.1**Refers to exploded view: **Back Frame cpl**

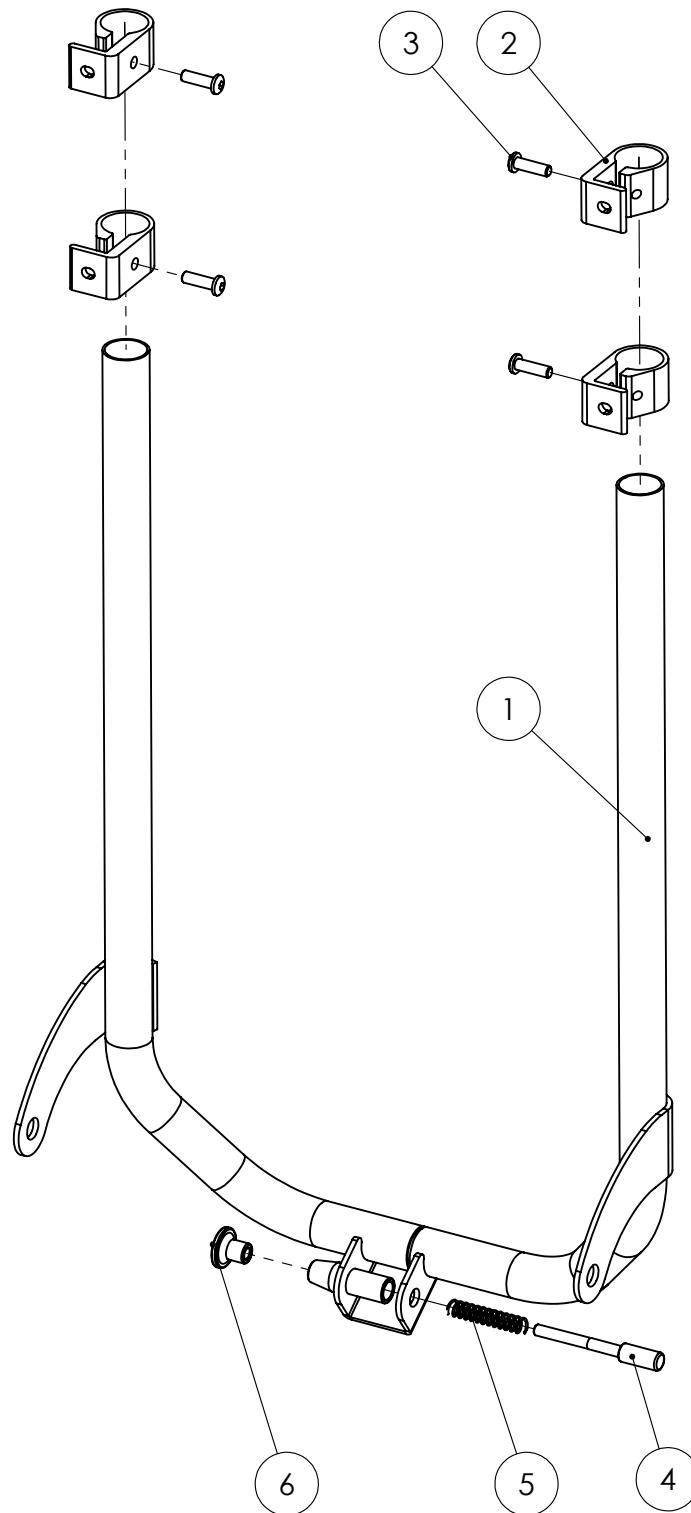
C1.1 - rev. A

rev. 2020-06-10

Pos.	Art.no.	Description	Incl.
	34200-1	Back Frame sw30 cpl Green	
	34200-3	Back Frame sw30 cpl Orange	
	34200-5	Back Frame sw30 cpl Grey	
	35200-1	Back Frame sw34 cpl Green	
	35200-3	Back Frame sw34 cpl Orange	
	35200-5	Back Frame sw34 cpl Grey	
1		Back Frame sw30 Green	
1		Back Frame sw30 Orange	
1		Back Frame sw30 Grey	
1		Back Frame sw34 Green	
1		Back Frame sw34 Orange	
1		Back Frame sw34 Grey	
2	62238	Bracket, Back Frame black	
3	81355	Screw K6S M6x20 black	
4	10221	Pin	
5	81852	Spring	
6	82312	Knob 22-M6	

Ryggram kpl

Denna ritning får ej kopieras eller överlåtas utan tillstånd av HD Rehab AB



Spare parts**HD Motion****C2.1**Refers to exploded view: **Flexi Back**

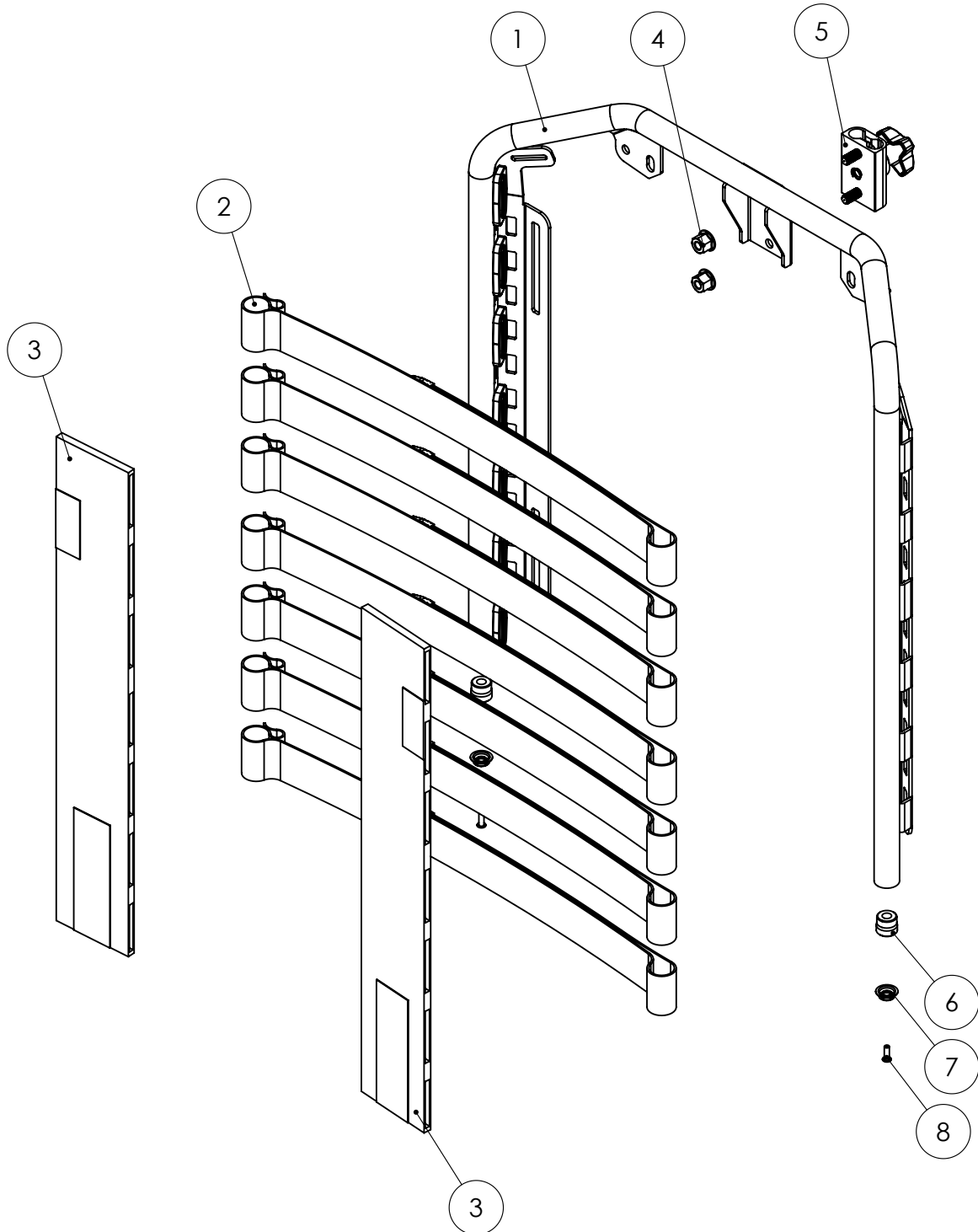
C2.1 - rev. A

rev. 2020-12-16

Pos.	Art.no.	Description	Incl.
	34250	Flexi Back sw30 long cpl with straps	1-8
	34255	Flexi Back sw30 short cpl with straps	1-8
	34258	Flexi Back sw30 x-short cpl with straps	1-8
	35250	Flexi Back sw34 long cpl with straps	1-8
	35255	Flexi Back sw34 short cpl with straps	1-8
	35258	Flexi Back sw34 x-short cpl with straps	1-8
1		Flexi Back sw30 long	
1		Flexi Back sw30 short	
1		Flexi Back sw30 x-short	
1		Flexi Back sw34 long	
1		Flexi Back sw34 short	
1		Flexi Back sw34 x-short	
2	49141-6	Backstrap sw30 (long 7pcs, short 6pcs, x-short 5pcs)	
2	49241-7	Backstrap sw34 (long 7pcs, short 6pcs, x-short 5pcs)	
3	49142-1	Backpiece Flexi Back left long	
3	49142-2	Backpiece Flexi Back right long	
3	49141-1	Backpiece Flexi Back left short	
3	49141-2	Backpiece Flexi Back right short	
3	49143-1	Backpiece Flexi Back left x-short	
3	49143-2	Backpiece Flexi Back right x-short	
4	81545	Nut DIN 6926 M6 high	
5	39180	Headrest Bracket cpl	
6		Bushing	
7		Press stud	
8	81453	Blind rivet 3,2x9,5	

Flexiram

Denna ritning får ej kopieras eller överlåtas utan tillstånd av HD Rehab AB



Spare parts**HD Motion****C2.2**Refers to exploded view: **Solid Back Plate**

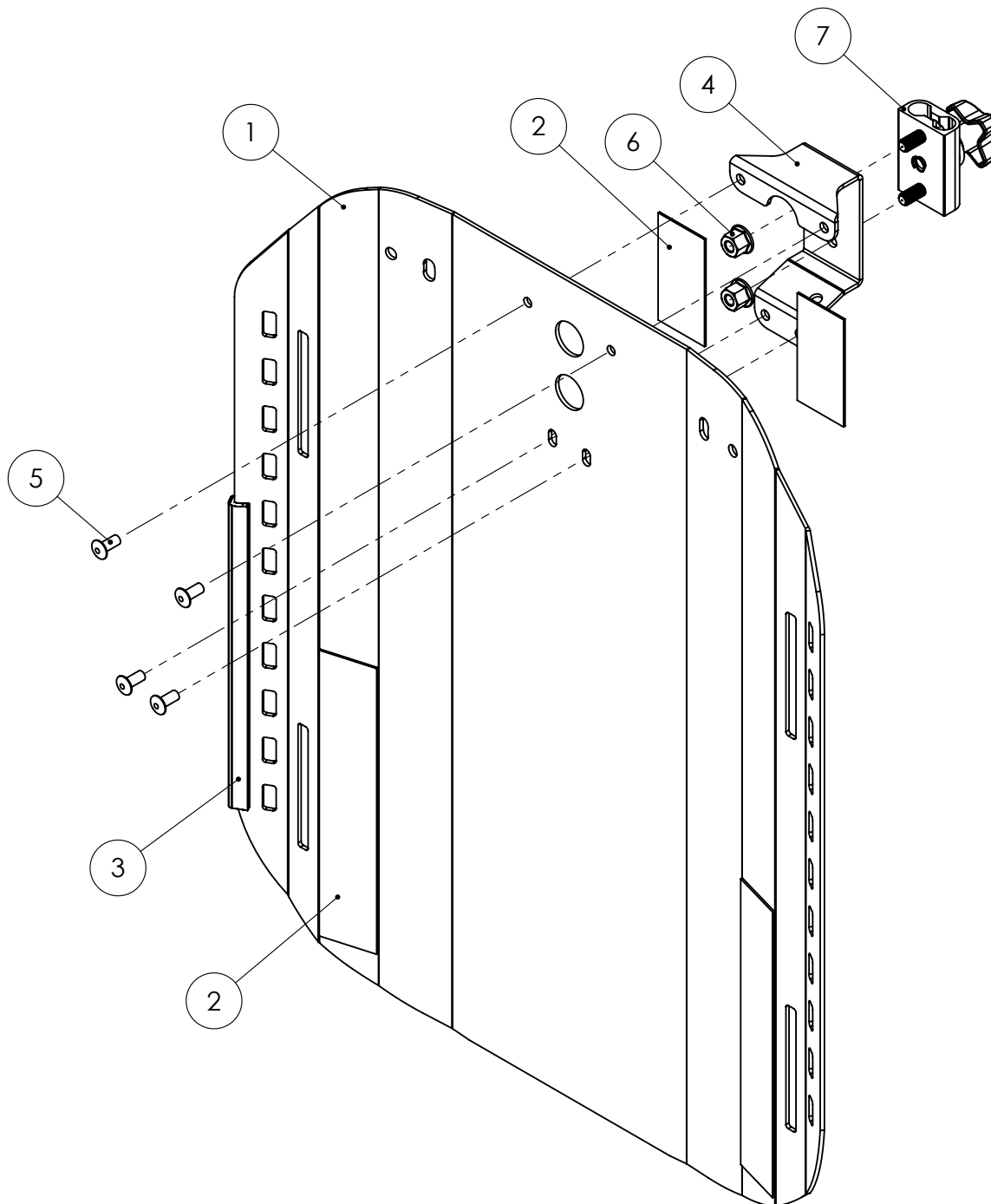
C2.2 - rev. B

rev. 2020-11-03

Pos.	Art.no.	Description	Incl.
	34260	Solid Back Plate sw30 K cpl with Headrest bracket	1-5
	34265	Solid Back Plate sw30 L cpl with Headrest bracket	1-5
	34268	Solid Back Plate se30 XK cpl with Headrest bracket	1-5
	35260	Solid Back Plate sw34 K cpl with Headrest bracket	1-5
	35265	Solid Back Plate sw34 L cpl with Headrest bracket	1-5
	35268	Solid Back Plate sw34 XK cpl with Headrest bracket	1-5
		Solid Back Plate sw30 K (short) with velcro	1-3
		Solid Back Plate sw30 L (long) with velcro	1-3
		Solid Back Plate sw30 XK (x-short) with velcro	1-3
		Solid Back Plate sw34 K (short) with velcro	1-3
		Solid Back Plate sw34 L (long) with velcro	1-3
		Solid back Plate sw34 XK (x-short) with velcro	1-3
1		Solid Back Plate sw30 K (short)	
1		Solid Back Plate sw30 L (long)	
1		Solid Back Plate sw30 XK (x-short)	
1		Solid Back Plate sw34 K (short)	
1		Solid Back Plate sw34 L (long)	
1		Solid Back Plate sw34 XK (x-short)	
2	87002	Velcro 30mm hook self-adhesive	
3	87164	Edge Strip F125	
4		Plate for head bracket	
5	81454	Blind rivet 4.8x12.7 MFX1461	
6	81545	Nut DIN 6926 M6 high	
7	39180	Headrest Bracket cpl	

Planrygg kpl

Denna ritning får ej kopieras eller överlämnas utan tillstånd av HD Rehab AB



Spare parts**HD Motion****C3.1**Refers to exploded view: **Push Bar standard**

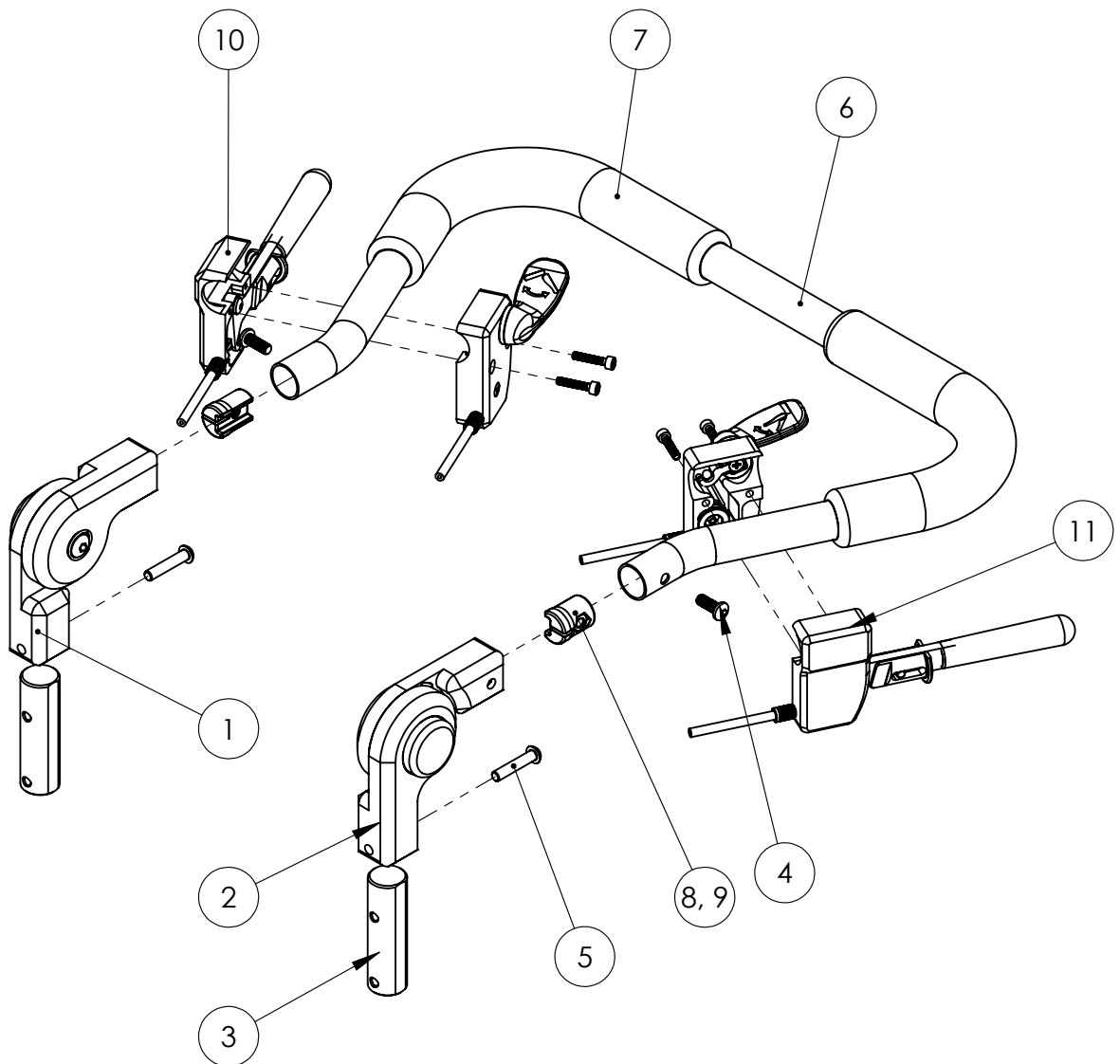
C3.1 - rev. A

rev. 2020-06-10

Pos.	Art.no.	Description	Incl.
	34320	Push bar sw30 cpl with joints	1-9
	35320	Push bar sw34 cpl with joints	1-9
	34325	Push Bar sw30 cpl	6-9
	35325	Push Bar sw34 cpl	6-9
1		Push bar joint right cpl	See page. C4.1
2		Push bar joint left cpl	See page. C4.1
3		Tube, push handle	
4	81294	Screw K6S M6x16 fzb	
5	81340	Screw K6S M6x30 fzb	
6		Push bar sb30	
6		Push bar sb34	
7		HD-Foam	
	82219-5	Nut holder cpl with nut	8-9
8	81546	Locking nut M6	
9		Nut holder	
10		Wire control unit Tilt, right	See page. C5.1
11		Wire control unit Back recline, left	See page. C5.1
	13712	Cover for Push Bar HD 1 pair	7

Körbygel standard

Denna ritning får ej kopieras eller överlåtas utan tillstånd av HD Rehab AB



Spare parts**HD Motion****C4.1**Refers to exploded view: **Push Bar Joint**

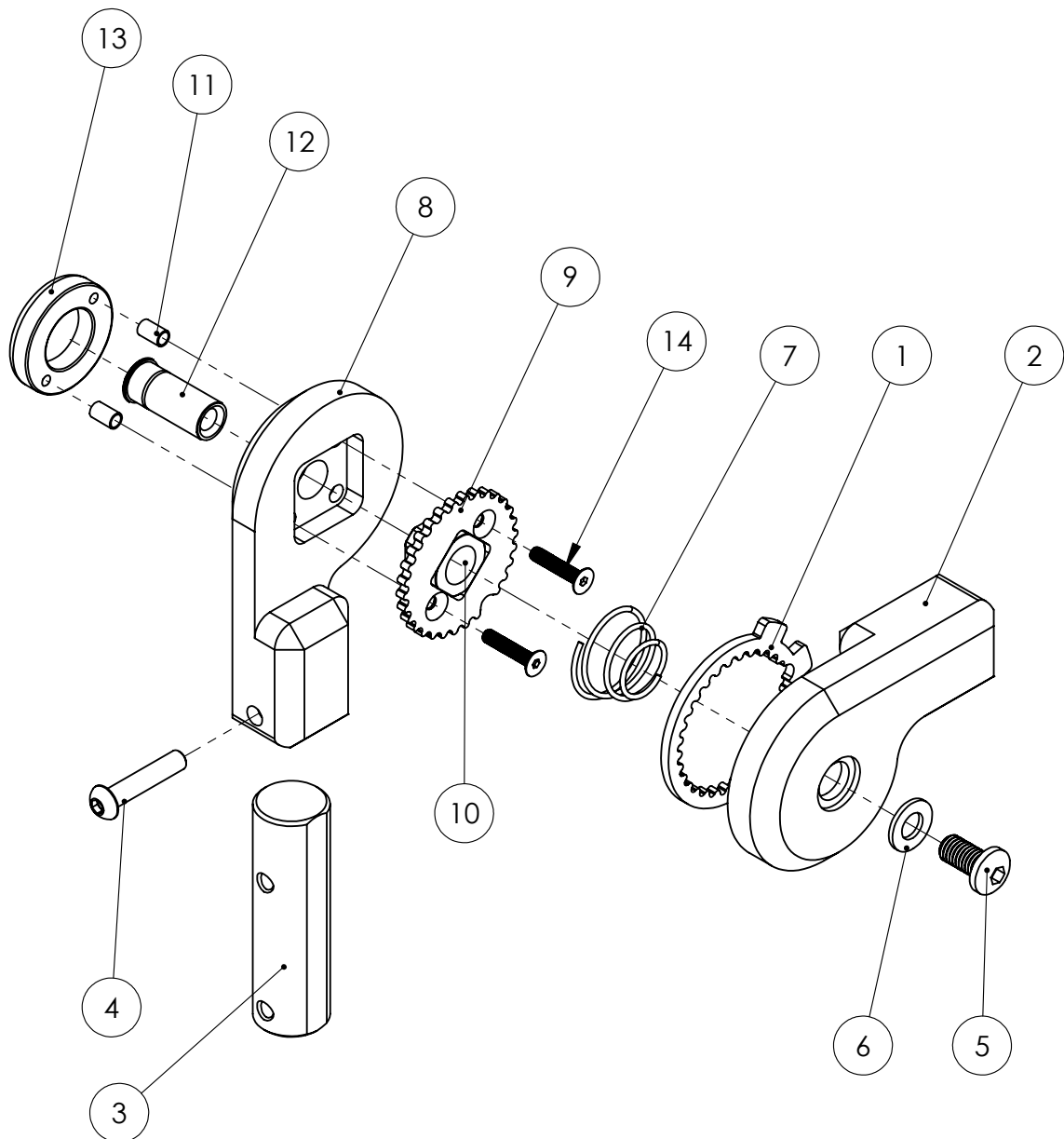
C4.1 - rev. A

rev. 2020-06-12

Pos.	Art.no.	Description	Incl.
	35310	Push bar joint right cpl	1-14
	35315	Push bar joint left cpl	1-14
		Push bar joint fixed cpl right	8-14
		Push bar joint fixed cpl left	8-14
1		External gear	
2		Push bar joint movable right	
2		Push bar joint movable left	
3		Tube, push handle	
4	81340	Screw K6S M6x30 fzb	
5	81349	Screw K6S M8x16 fzb	
6	81603	Washer BRB8.4x16x1.5	
7		Spring	
8		Push bar joint fixed right	
8		Push bar joint fixed left	
9		Internal gear	
10		Washer for gear	
11		Spacer	
12		Pin	
13		Release button	
14		Screw F6S M4x20 10.9	

Körhandtagssida vinkelställbar

Denna ritning får ej kopieras eller överlåtas utan tillstånd av HD Rehab AB



Spare parts**HD Motion****C5.1**Refers to exploded view: **Wire Control Unit**

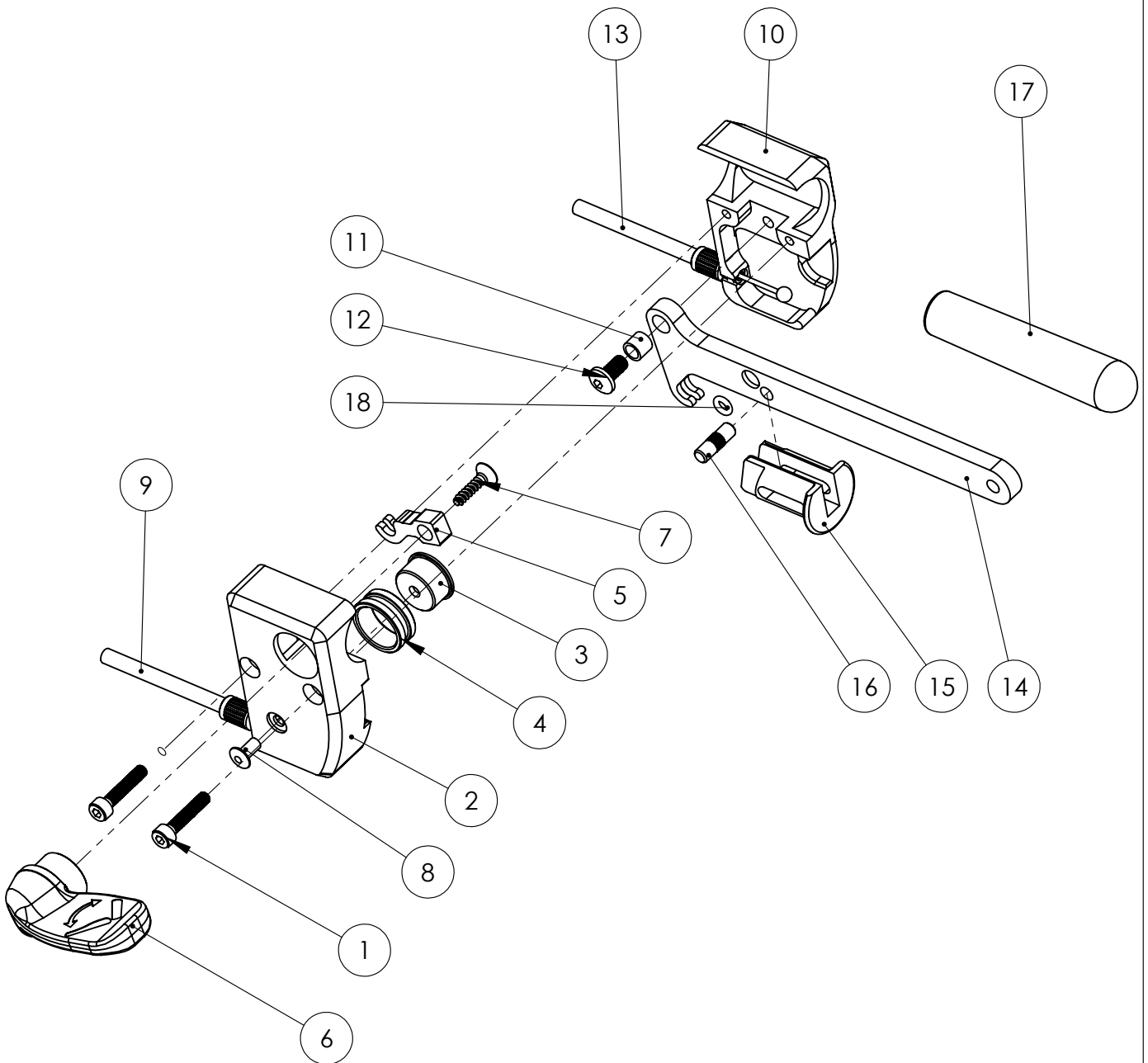
C5.1 - rev. A

rev. 2020-06-12

Pos.	Art.no.	Description	Incl.
	35360	Wire Control Unit right, Tilt	1-18
	35365	Wire Control Unit left, Back recline	1-18
		Wire control housing inside cpl right	2-9
		Wire control housing inside cpl left	2-9
		Wire control housing outside cpl right	10-18
		Wire control housing outside cpl left	10-18
1		Screw MC6S M4x20	
2		Inside housing right	
2		Inside housing left	
3		Bushing	
4		Wire Spool	
5		Wire control arm	
6	62365-2	Lever wire control Tilt Green	
6	62365-1	Lever wire control Back recline Grey	
7		Screw TP 3.5x16	
8	81458	Blind rivet 4.0x7.6	
9	82456	Wire set Tilt cpl	see page C5.2
10		Gavel utsida hö	
10		Gavel utsida vä	
		Brake Lever cpl	14-18
11		Bushing	
12	81342	Screw K6S M5x10 sv.	
13	82455	Wire set brake	13-17 see page C5.2
14		Brake Lever	
15		Lock sleeve	
16		Pin	
17	82159	Handle Softex 12mm	
18	82407	O-ring 3.69x1.78 NBR	

Vajerreglage

Denna ritning får ej kopieras eller överlåtas utan tillstånd av HD Rehab AB



Spare parts**HD Motion****C5.2**Refers to exploded view: **Wire Set Brake**

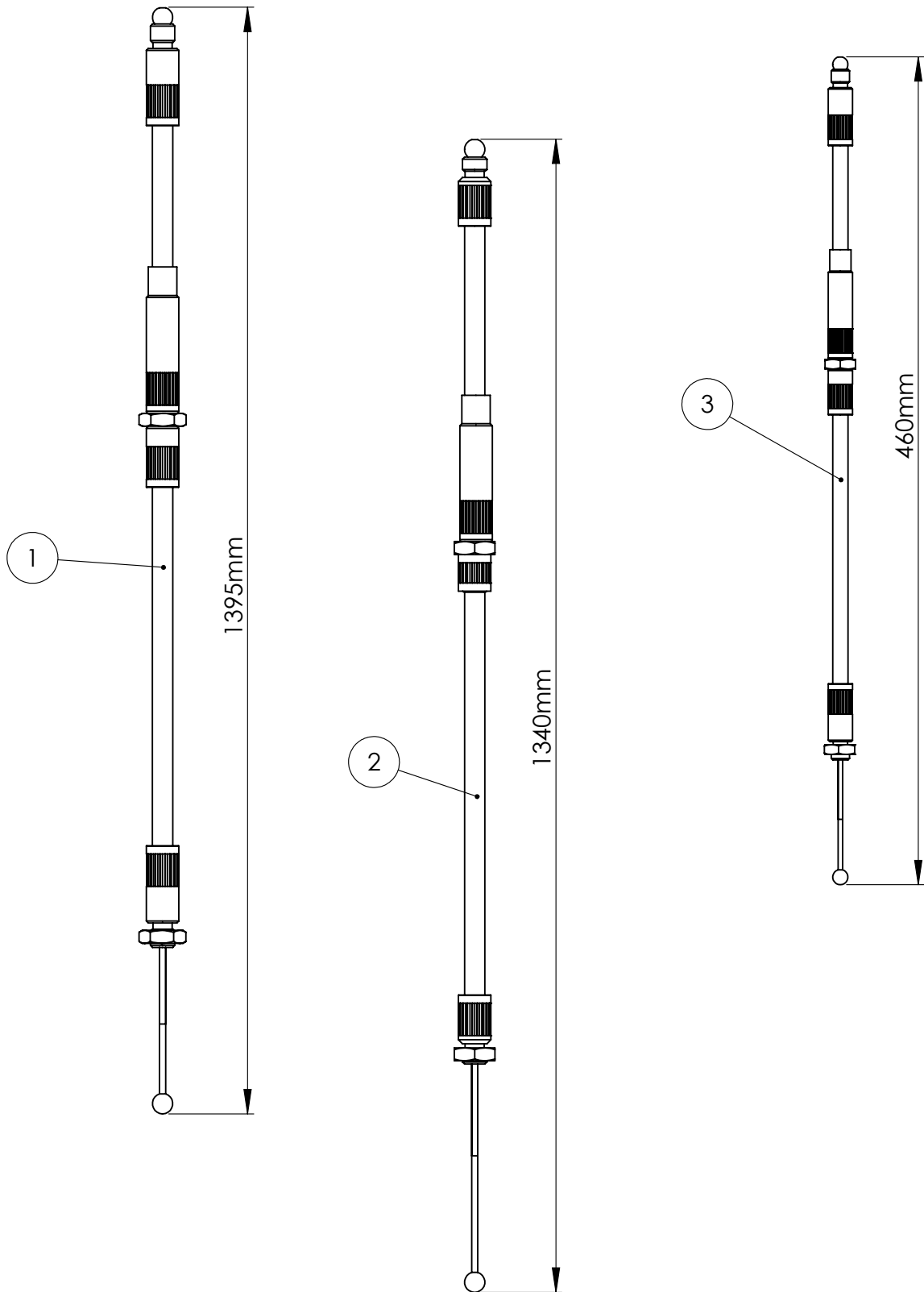
C5.2 - rev. A

rev. 2020-06-12

Pos.	Art.no.	Description	Incl.
1	82455	Wire set Brake	
2	82456	Wire set Tilt cpl	
3	82458	Wire set Brake, user brake	

Vajersatser

Denna ritning får ej kopieras eller överlåtas utan tillstånd av HD Rehab AB



Spare parts**HD Motion****C6.1**Refers to exploded view: **Bracket Thoracic Support**

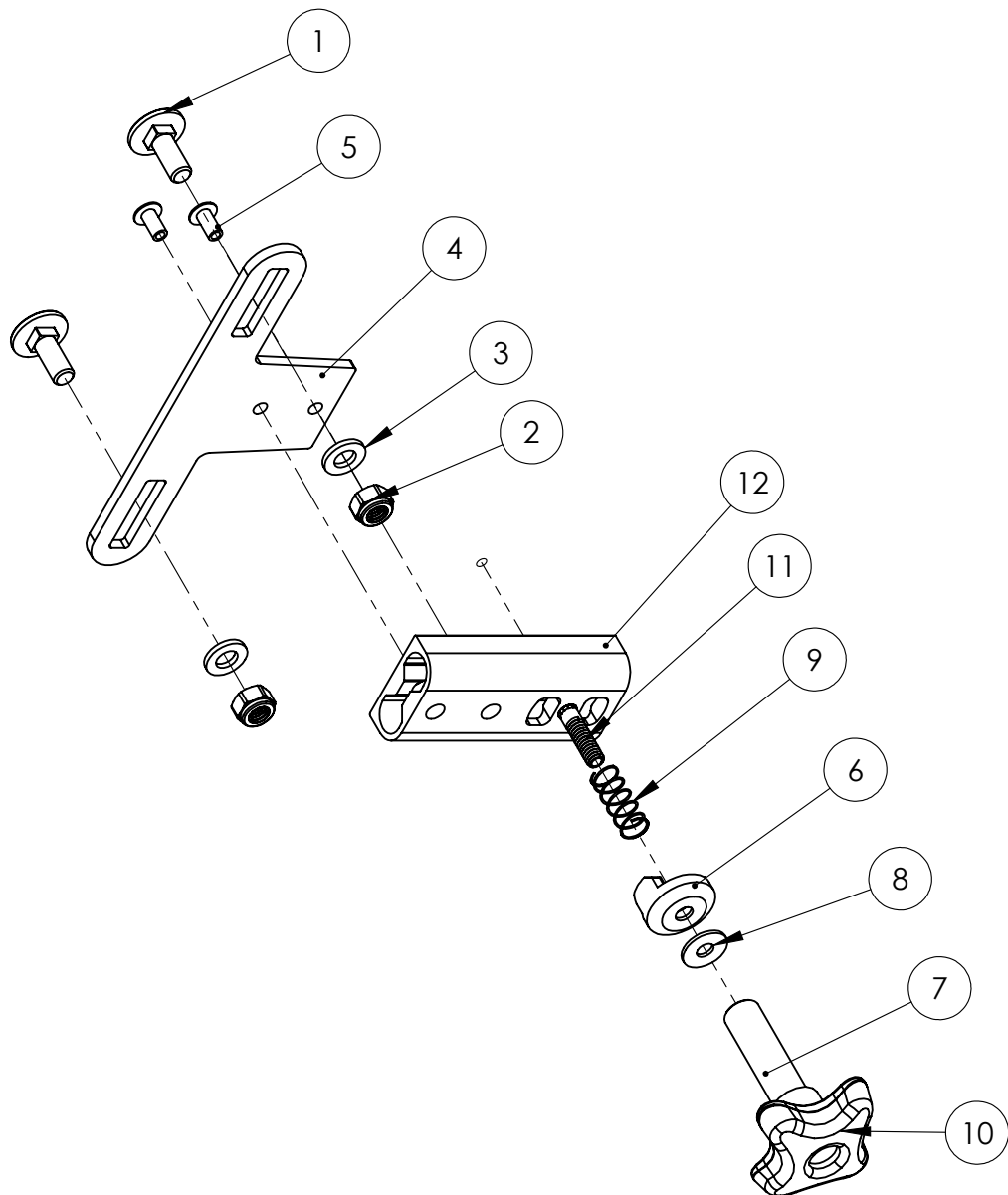
C6.1 - rev. A

rev. 2020-06-12

Pos.	Art.no.	Description	Incl.
	39351-5	Bracket thoracic support set with screw	1-11
		Bracket thoracic support without screw	4-12
1	81217	Screw MVBF M6x16 fzb	
2	81522	Locking nut M6	
3	81602	Washer BRB6.4x12x1.5	
		Housing cpl with knob	6-12
4		Plate, bracket thoracic support	
5	81458	Blind rivet 4.0x7.6	
6		Washer	
		Housing with pin	11-12
7		Spacer, bracket	
8	81630	Washer NB 5x13x1	
9	81869	Spring	
10	81954	Knob M6x20	
11		Spin	
12		Housing	

Bålstödsfäste

Denna ritning får ej kopieras eller överlåtas utan tillstånd av HD Rehab AB



Spare parts**HD Motion****D1.1**Refers to exploded view: **Legrest Overview**

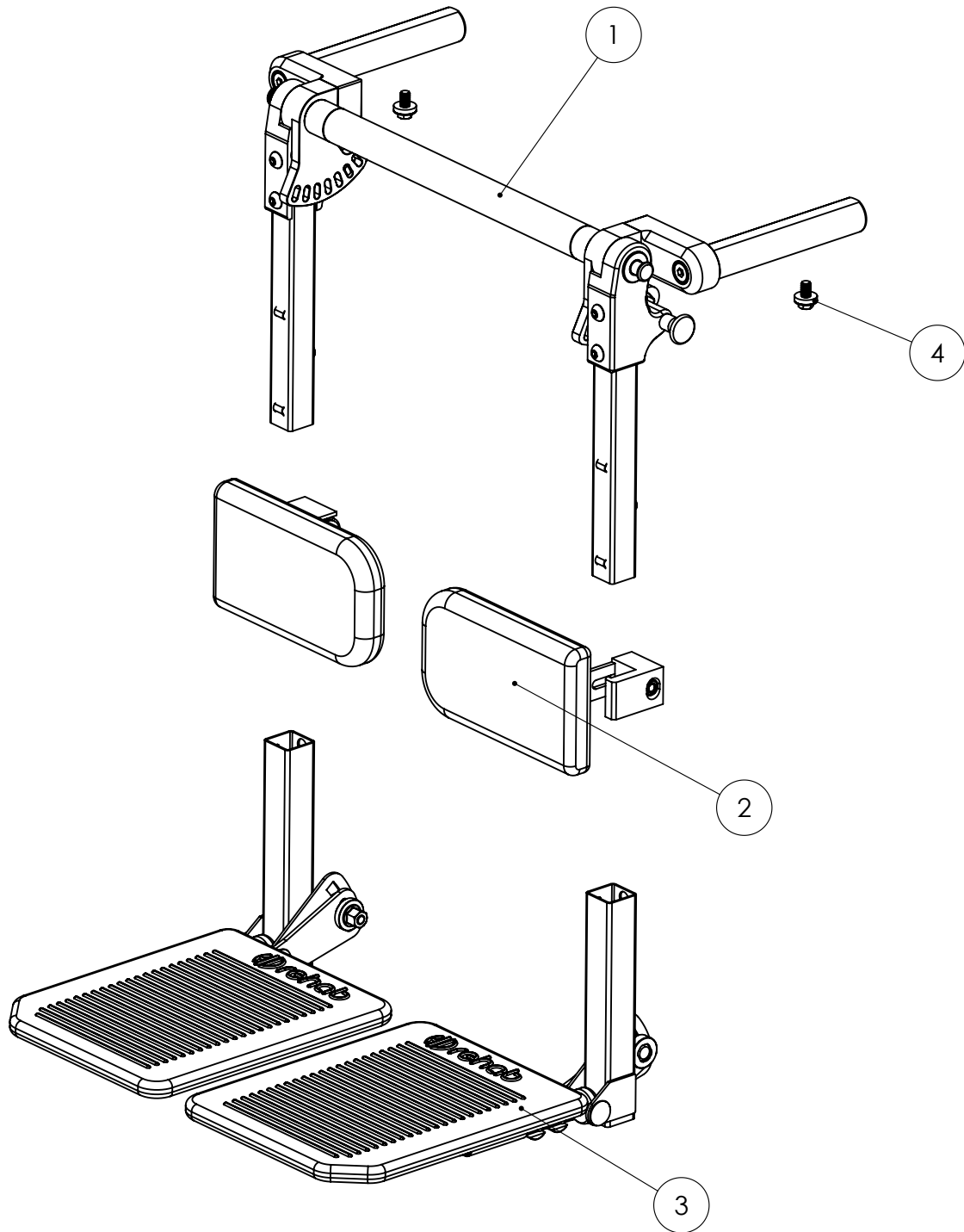
D1.1 - rev. A

rev. 2020-05-28

Pos.	Art.no.	Description	Incl.
1		Mount for Legrest cpl separate angle adjustable	See page D1.2
2		Calf Support	See page D2.1
3		Footrest separate	See page D3.1
4	35716-8	Screw mount for legrest	

Benstöd delat sammanställning

Denna ritning får ej kopieras eller överlåtas utan tillstånd av HD Rehab AB



Spare parts**HD Motion****D1.2**Refers to exploded view: **Mount for Legrest Separate angle adj.**

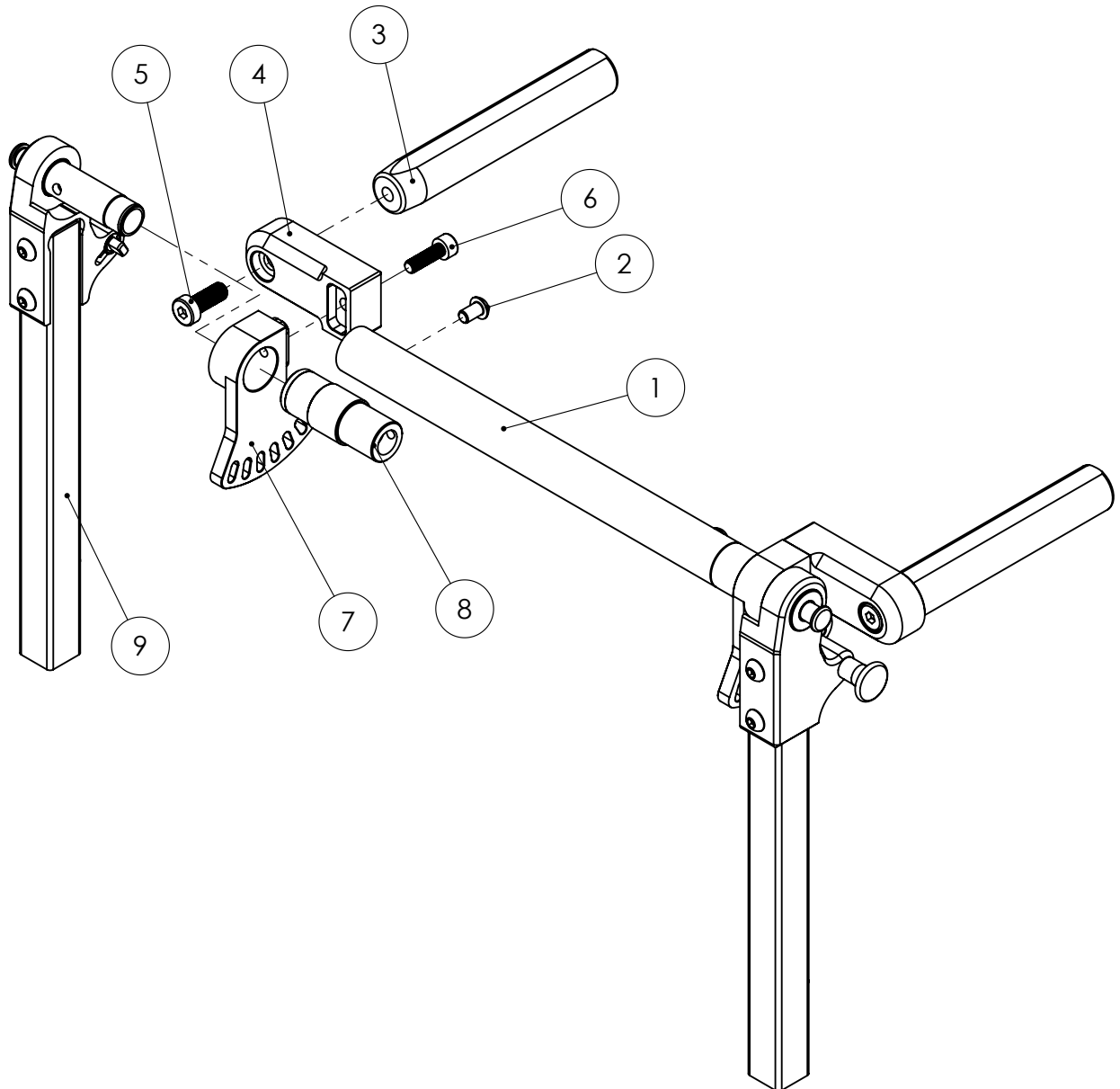
D1.2 - rev. A

rev. 2020-06-04

Pos.	Art.no.	Description	Incl.
	34710	Mount for Legrest Separate angle adj. std sw30	1-9
	35710	Mount for Legrest Separate angle adj. std sw34	1-9
1		Cross bar sw30 mount for legrest separate	
1		Cross bar sw34 mount for legrest separate	
		Legrest fastening std separate cpl Left	3-8
		Legrest fastening std separate cpl Right	3-8
2	81293	Screw K6S M6x10 black	
3		Telescopic rod	
4		Fastening block	
		Segment left cpl	7-8
		Segment right cpl	7-8
5	81230	Screw MLC6S M8x16	
6	81287	Screw MC6S M6x20	
7		Segment left	
7		Segment right	
8		Segment socket	
9		Legrest Tube standard Left cpl	See page D1.3
9		Legrest Tube standard Right cpl	See page D1.3
9		Legrest Tube long Left cpl	See page D1.3
9		Legrest Tube long Right cpl	See page D1.3

Benstödsfäste kpl

Denna ritning får ej kopieras eller överlåtas utan tillstånd av HD Rehab AB



Spare parts**HD Motion****D1.3**

Refers to exploded view: Legrest Tube separate cpl

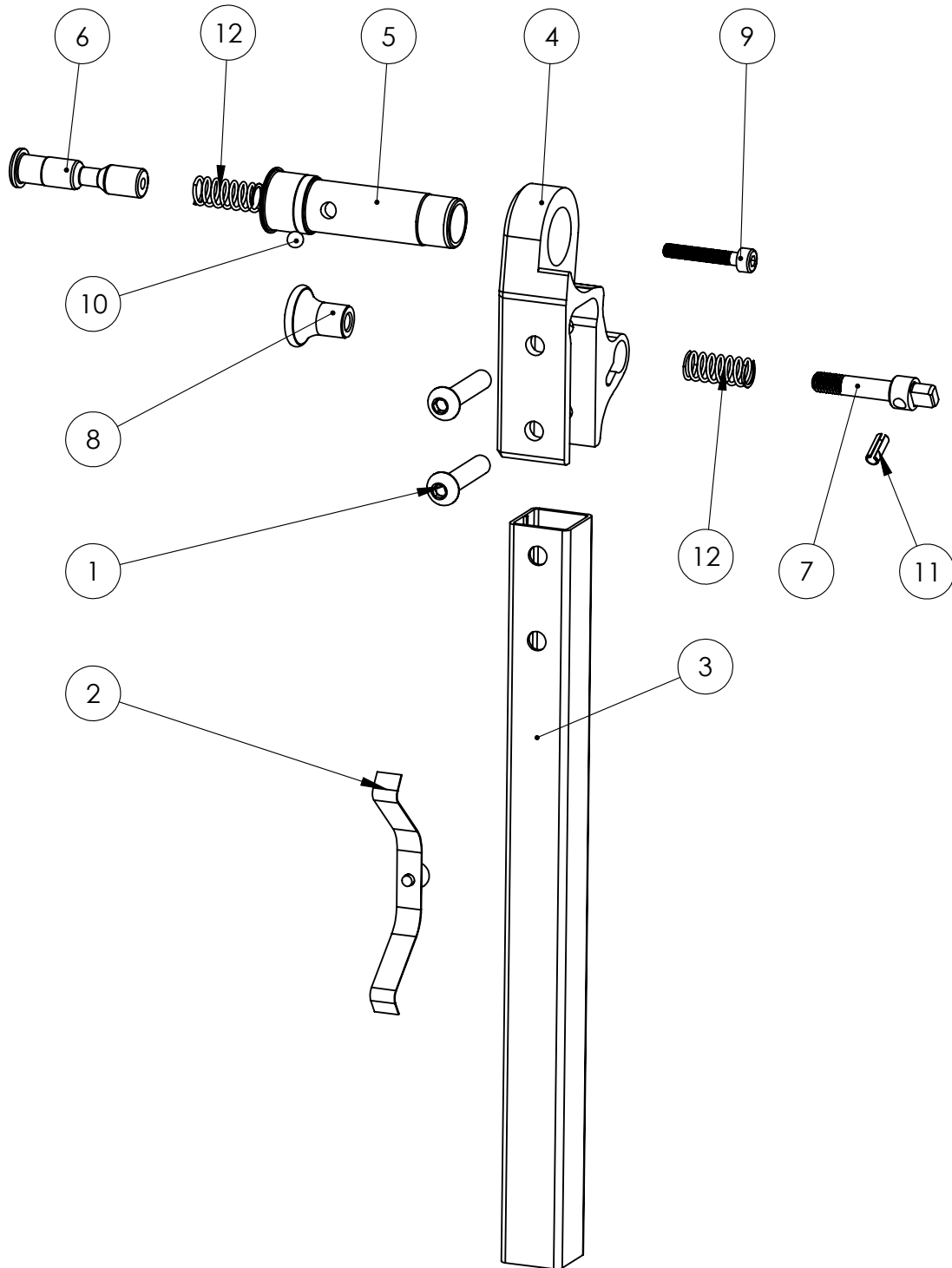
D1.3 - rev. A

rev. 2020-06-04

Pos.	Art.no.	Description	Incl.
	34721	Legrest Tube Short cpl Left	1-12
	34722	Legrest Tube Short cpl Right	1-12
	35721	Legrest Tube Standard cpl Left	1-12
	35722	Legrest Tube Standard cpl Right	1-12
	35723	Legrest Tube Long cpl Left	1-12
	35724	Legrest Tube Long cpl Right	1-12
	34721-5	Tube legrest short cpl with locking knob	2-3
	35721-5	Tube legrest standard cpl with locking knob	2-3
	35723-5	Tube legrest long cpl with locking knob	2-3
		Knee joint left separate leg rest	4-12
		Knee joint right separate leg rest	4-12
1	81340	Screw K6S M6x30 fzb	
2	10790	Locking knob snap-in	
3		Tube short	
3		Tube standard	
3		Tube long	
4		Knee joint left	
4		Knee joint right	
5		Leg rest Tube Pin	
6		Leg rest Tube Lock Pin	
7		Leg rest tube lock pin	
8		Knob, legrest	
9		Screw MC6S M4x25	
10		Ball bearing 5mm steel	
11		Tension Pin 4x10	
12		Spring	

Benstödsrör kpl

Denna ritning får ej kopieras eller överlåtas utan tillstånd av HD Rehab AB



Spare parts**HD Motion****D1.4**Refers to exploded view: **Legrest Center Overview**

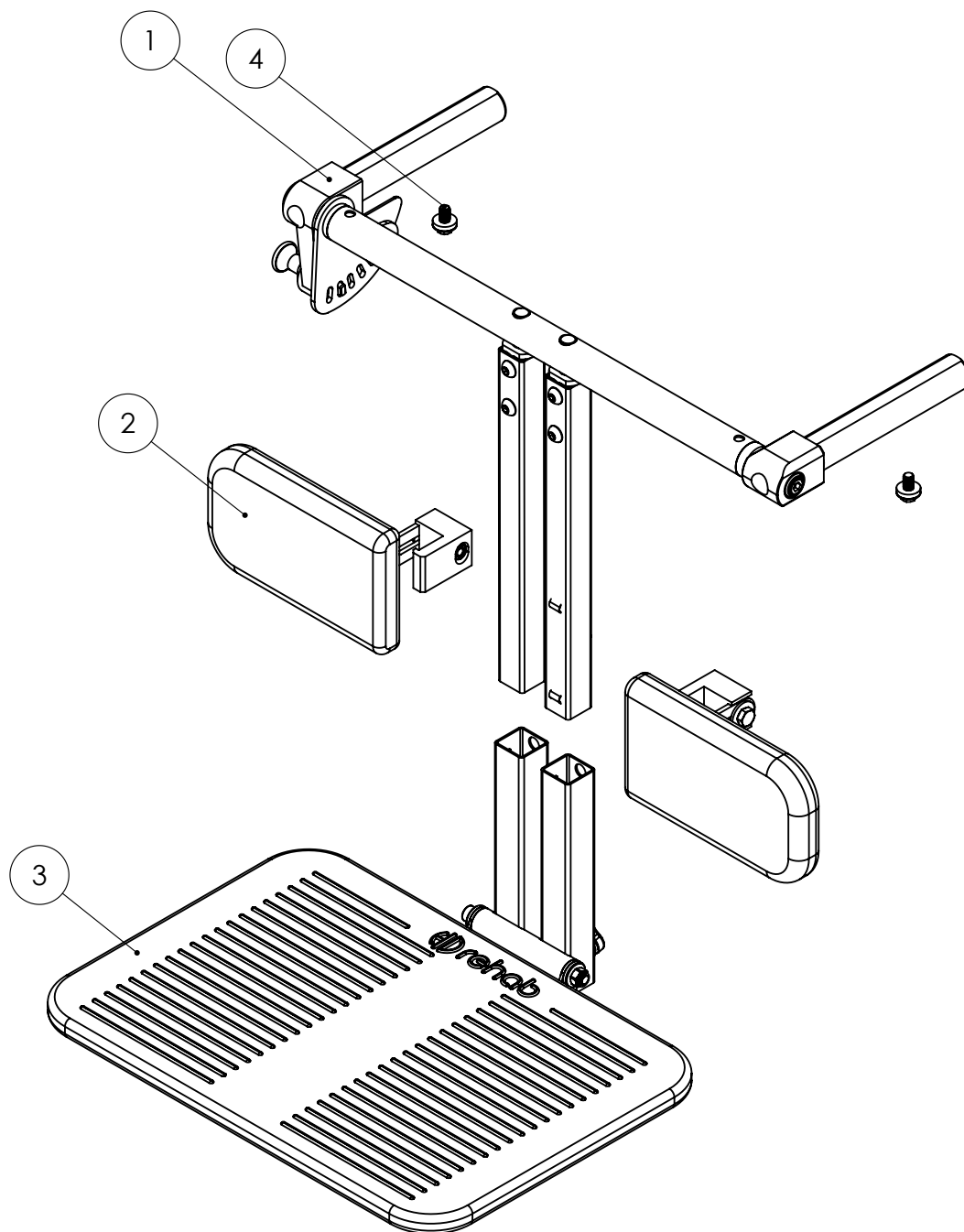
D1.4 - rev. A

rev. 2020-06-24

Pos.	Art.no.	Description	Incl.
1		Legrest Center cpl	See page D1.5
2		Calf support	See page D2.1
3		Footrest one-piece	See page D3.2
4	35716-8	Screw mount for Legrest	

Benstöd sammanställning

Denna ritning får ej kopieras eller överlåtas utan tillstånd av HD Rehab AB



Spare parts**HD Motion****D1.5**Refers to exploded view: **Legrest Center**

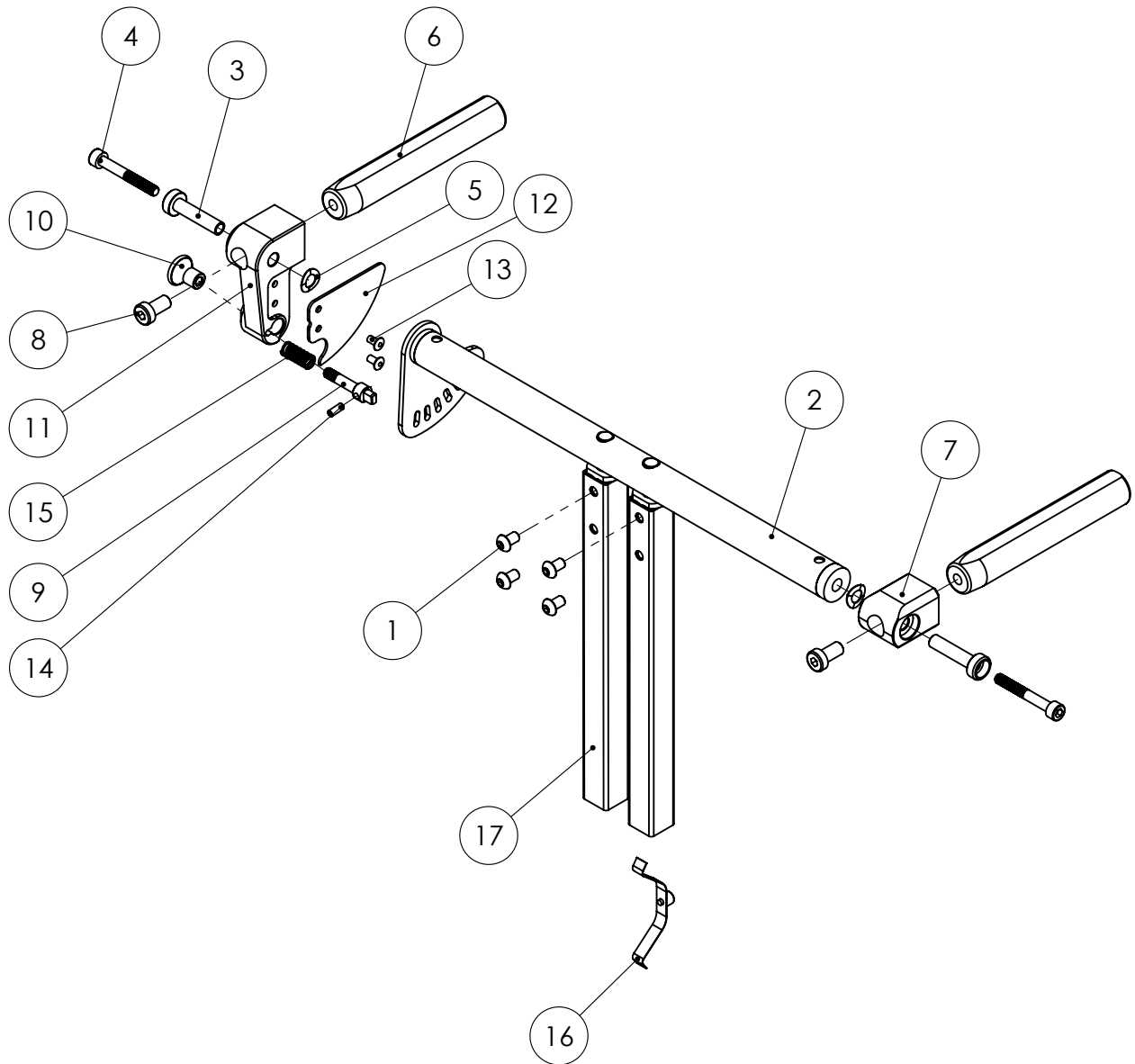
D1.5 - rev. A

rev. 2020-06-12

Pos.	Art.no.	Description	Incl.
	34753	Legrest Center cpl sw30 short	1-17
	34755	Legrest Center cpl sw30 standard	1-17
	34754	Legrest Center cpl sw30 long	1-17
	35753	Legrest Center cpl sw34 short	1-17
	35755	Legrest Center cpl sw34 standard	1-17
	35754	Legrest Center cpl sw34 long	1-17
		Leg rest mount sw30 for Centre leg rest	2-15
		Leg rest mount sw34 for Centre leg rest	2-15
	34721-5	Tube legrest short cpl with locking knob	16-17
	35721-5	Tube legrest standard cpl with locking knob	16-17
	35723-5	Tube legrest long cpl with locking knob	16-17
1	81293	Screw K6S M6x10 sv.	
2		Centre stay sw30	
2		Centre stay sw34	
		Leg rest joint left	6-8
		Leg rest joint right	9-15
3		Shoulder bushing	
4	81264	Screw MC6S M6x45	
5		Wave washer 8.4 fzb	
6		Telescopic Rod	
7		Joint Block left	
8	81230	Screw MLC6S M8x16	
9		Leg rest tube Lock pin	
10		Knob Legrest	
11		Joint Block right	
12		Pinching shield	
13		Blind rivet 4.0x7.6	
14		Tension Pin 4x10	
15		Spring	
16	10790	Locking knob snap-in	
17		Tube short	
17		Tube standard	
17		Tube long	

Benstöd»Centerstag

Denna ritning får ej kopieras eller överlåtas utan tillstånd av HD Rehab AB



Spare parts**HD Motion****D2.1**Refers to exploded view: **Calf Support**

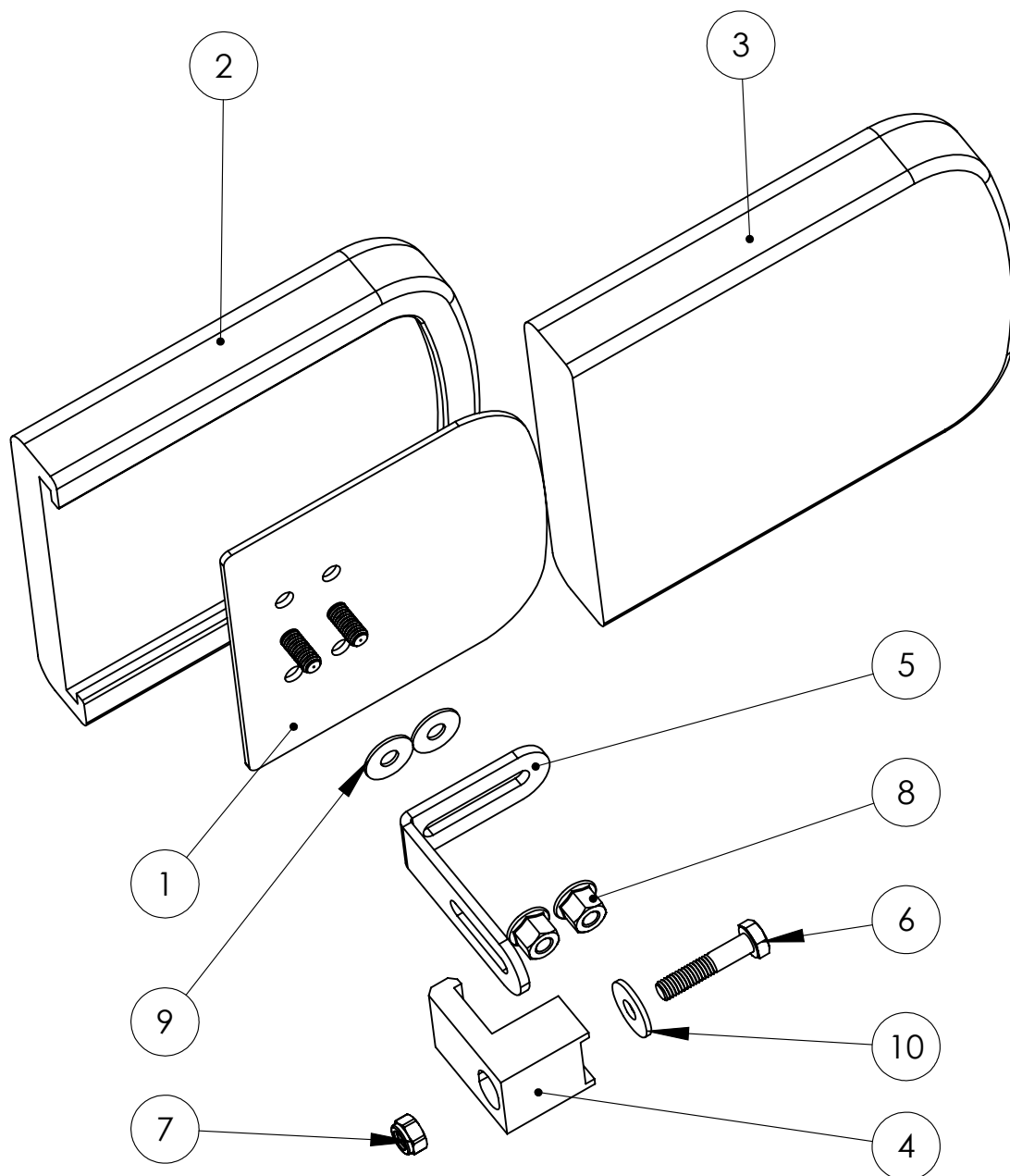
D2.1 - rev. A

rev. 2020-06-11

Pos.	Art.no.	Description	Incl.
	34781	Calf Support Small Left/Right	1-10
	35781	Calf Support Large Left/Right	1-10
		Calf Pad small cpl with cover	1-3
		Calf Pad large cpl with cover	1-3
		Bracket, Calf Support cpl	4-10
1		Plate, calf support small with screw	
1		Plate, calf support large with screw	
2		Calf Pad cushion small	
2		Calf Pad cushion large	
3		Cover calf support small	
3		Cover calf support large	
4		Fastening calf support	
5		Plate calf support	
6	81229	Screw M6S M6x30 fzb	
7	81522	Locking nut M6	
8	81545	Nut DIN 6926 M6	
9	81607	Washer NB 6x16x1 fzb	
10	81655	Washer M6 6.4x18x1.6	

Vadstöd

Denna ritning får ej kopieras eller överlåtas utan tillstånd av HD Rehab AB



Spare parts**HD Motion****D3.1**Refers to exploded view: **Footrest separate**

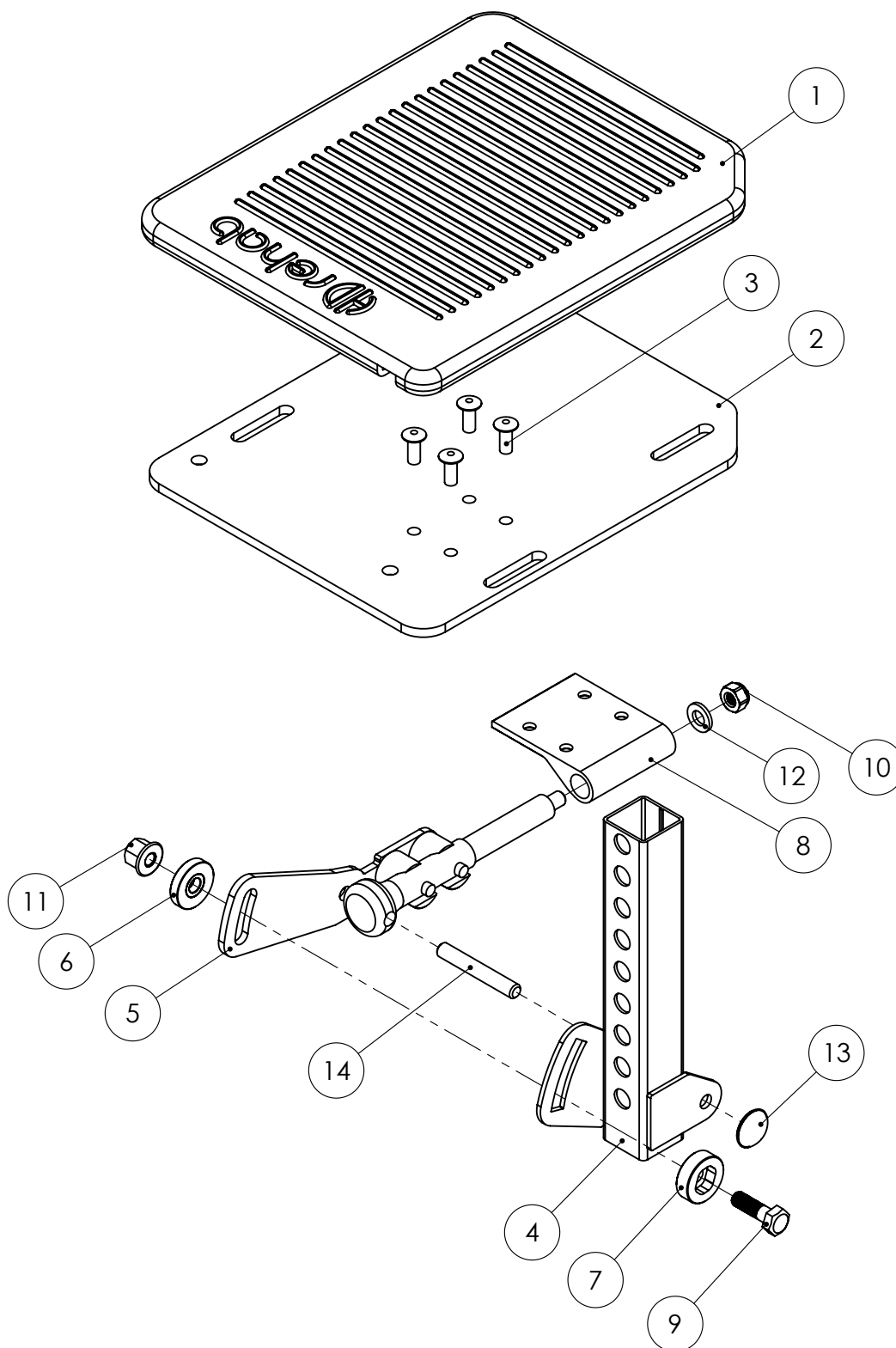
D3.1 - rev. A

rev. 2020-06-12

Pos.	Art.no.	Description	Incl.
	34741	Footrest separate sw30 short left	1-14
	34742	Footrest separate sw30 short right	1-14
	35741	Footrest separate sw34 short left	1-14
	35742	Footrest separate sw34 short right	1-14
	34731	Footrest separate sw30 standard left	1-14
	34732	Footrest separate sw30 standard right	1-14
	35731	Footrest separate sw34 standard left	1-14
	35732	Footrest separate sw34 standard right	1-14
1	34735-3	Foot plate cover PUR sw30 left	
1	34736-3	Foot plate cover PUR sw30 right	
1	35735-3	Foot plate cover PUR sw34 left	
1	35736-3	Foot plate cover PUR sw34 right	
2		Footplate sw30 separate	
2		Footplate sw34 separate	
		Footplate holder short cpl left	4-14
		Footplate holder short cpl right	4-14
		Footplate holder standrad cpl left	4-14
		Footplate holder standard cpl right	4-14
3	81454	Blind rivet 4.8x12.7 MFX1461	
4		Footplate holder short left	
4		Footplate holder short right	
4		Footplate holder standard left	
4		Footplate holder standard right	
5		Footrest fork separate left	
5		Footrest fork separate right	
6		Washer	
7		Nut shoe M6	
8		Foot plate bracket	
9	81219	Screw M6S M6x20	
10	81522	Locking nut M6	
11	81545	Nut DIN 6926 M6	
12	81602	Washer BRB6.4x12x1.5	
13		Cap starlock 6	
14		Cylinder pin	

Fotstöd»delat

Denna ritning får ej kopieras eller överlätas utan tillstånd av HD Rehab AB



Spare parts**HD Motion****D3.2**Refers to exploded view: **Footrest one-piece**

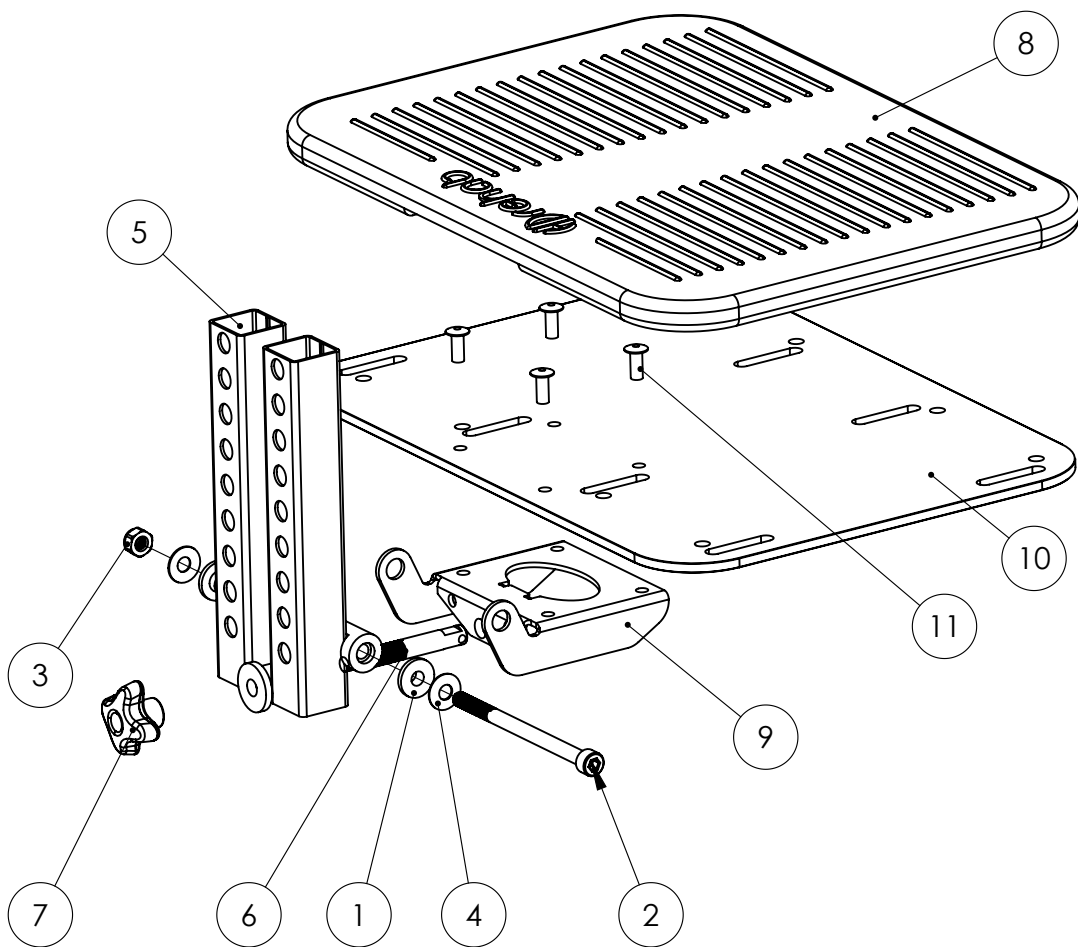
D3.2 - rev. A

rev. 2020-06-12

Pos.	Art.no.	Description	Incl.
	34771	Footrest one-piece short sw30	1-11
	35771	Footrest one-piece short sw34	1-11
	34761	Footrest one-piece standard sw30	1-11
	35761	Footrest one-piece standard sw34	1-11
		Footplate holder cpl short for one-piece	5-7
		Footplate holder cpl standard for one-piece	5-7
		Footplate sw30 cpl legrest one-piece	8-11
		Footplate sw34 cpl legrest one-piece	8-11
1		Bushing	
2		Screw MC6S M6x90	
3	81522	Locking nut M6	
4		Wave washer 6x15	
5		Footplate holder short one-piece	
5		Footplate holder standard one-piece	
6		Setting screw	
7	81951-5	Knob M6 Braga black	
		Footplate one-piece sw30	9-11
		Footplate one-piece sw34	9-11
8	34768-5	Foot plate cover PUR 1-piece sw30	
8	35768-5	Foot plate cover PUR 1-piece sw34	
9		Foot plate bracket	
10		Footplate one-piece sw30	
10		Footplate one-piece sw34	
11	81454	Blind rivet 4.8x12.7	

Fotstöd helt

Denna ritning får ej kopieras eller överlåtas utan tillstånd av HD Rehab AB



Spare parts**HD Motion****D3.3**Refers to exploded view: **Footbox**

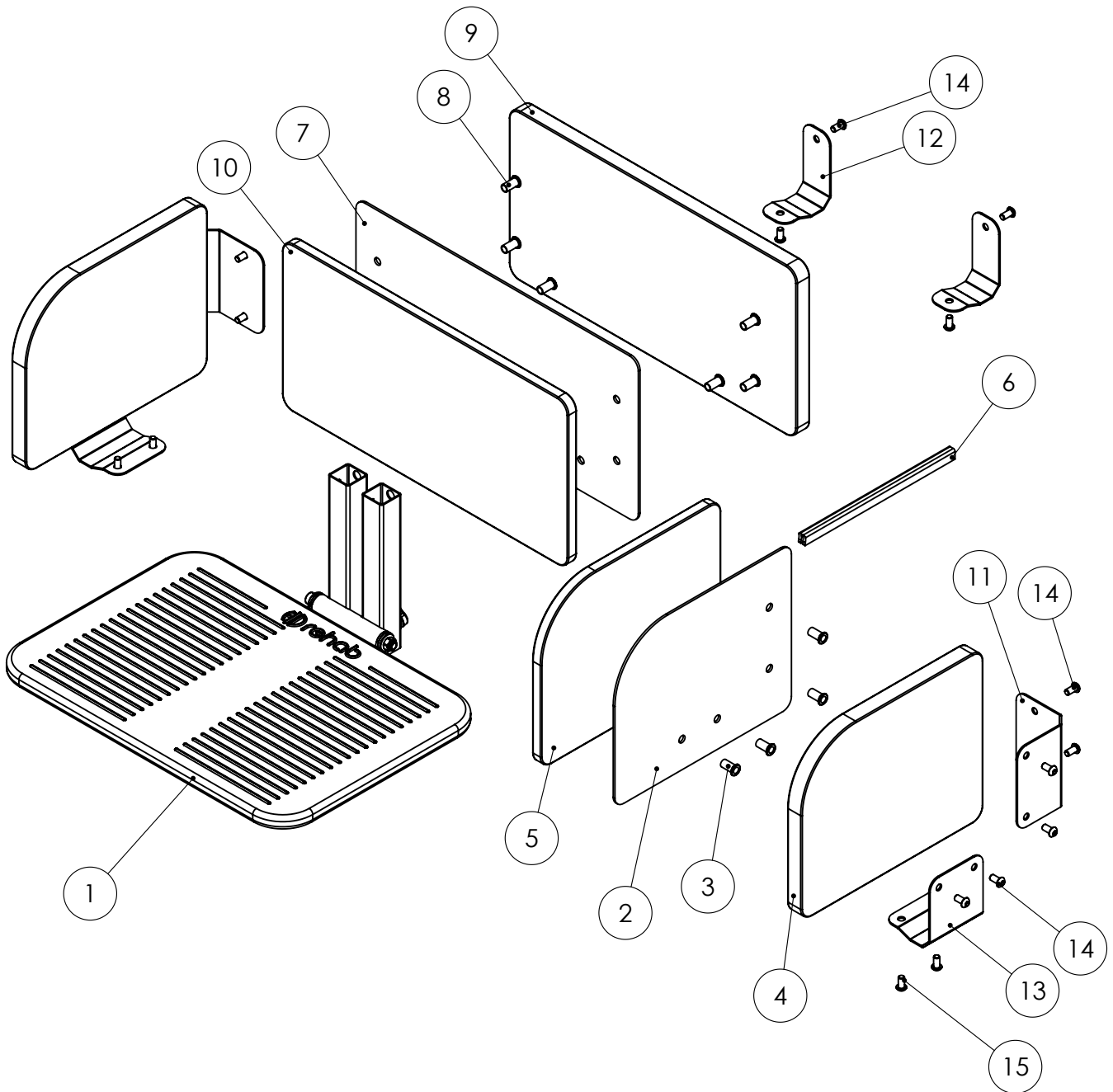
D3.3 - rev. A

rev. 2020-11-18

Pos.	Art.no.	Description	Incl.
	34790	Footbox sw30 std	1-13
	35790	Footbox sw34 std	1-13
1	34791	Footrest for footbox sw30 std	See page D3.2
1	35791	Footrest for footbox sw34 std	See page D3.2
		Footbox Side left std	2-6
		Footbox Side right std	2-6
		Calf Pad one-piece for footbox sw30	7-10
		Calf Pad one-piece for footbox sw34	7-10
		Side plate left cpl footbox	2-3
		Side plate right cpl footbox	2-3
2		Side plate footbox	
3		Blind rivet M5	
4	42888	Cover Footbox Side right/left	
5		Padding CA20 10mm	
6		Edge Strip F125	
		Plate calf pad sw30 cpl	7-8
		Plate calf pad sw34 cpl	7-8
7		Plate calf pad sw30	
7		Plate calf pad sw34	
8		Blind Rivet M5	
9	42887	Cover calf pad footbox sw30	
9	42886	Cover calf pad footbox sw34	
10		Padding CA20 10mm	
11		Angle plate corner	
12		Angle plate footplate	
13		Angle plate	
14	81342	Screw K6S M5x10 sv.	
15	81398	Screw K6S M5x6 fzb	

Fotlåda

Denna ritning får ej kopieras eller överlåtas utan tillstånd av HD Rehab AB



Spare parts**HD Motion****E1.1**Refers to exploded view: **Armrest**

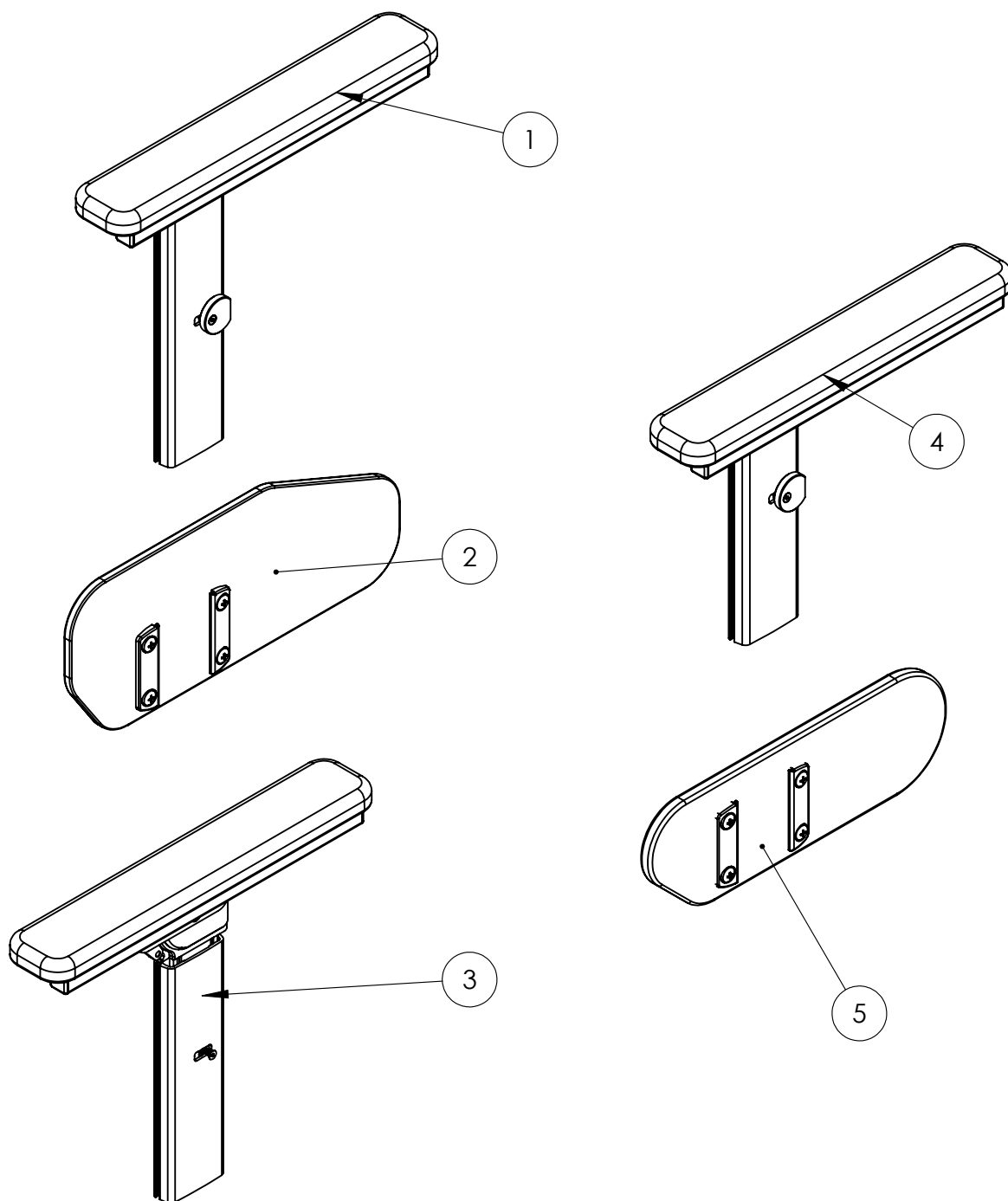
E1.1 - rev. A

rev. 2020-06-04

Pos.	Art.no.	Description	Incl.
	35401	Armrest standard left cpl	1-2
	35402	Armrest standard right cpl	1-2
	35403	Armrest low left cpl	4-5
	35404	Armrest low right cpl	4-5
	35409	Armrest angle adjustable left cpl	2-3
	35408	Armrest angle adjustable right cpl	2-3
1		Armrest unit standard left	See page. E2.1
1		Armrest unit standard right	See page. E2.1
2		Side support standard left	See page. E3.1
2		Side support standard right	See page. E3.1
3		Armrest unit angle adjustable left	See page. E2.3
3		Armrest unit angle adjustable right	See page. E2.3
4		Armrest unit Low left	See page. E2.2
4		Armrest unit Low right	See page. E2.2
5		Side support Low left	See page. E3.1
5		Side support Low right	See page. E3.1

Armstöd

Denna ritning får ej kopieras eller överlåtas utan tillstånd av HD Rehab AB



Spare parts**HD Motion****E2.1**Refers to exploded view: **Armrest Unit Standard**

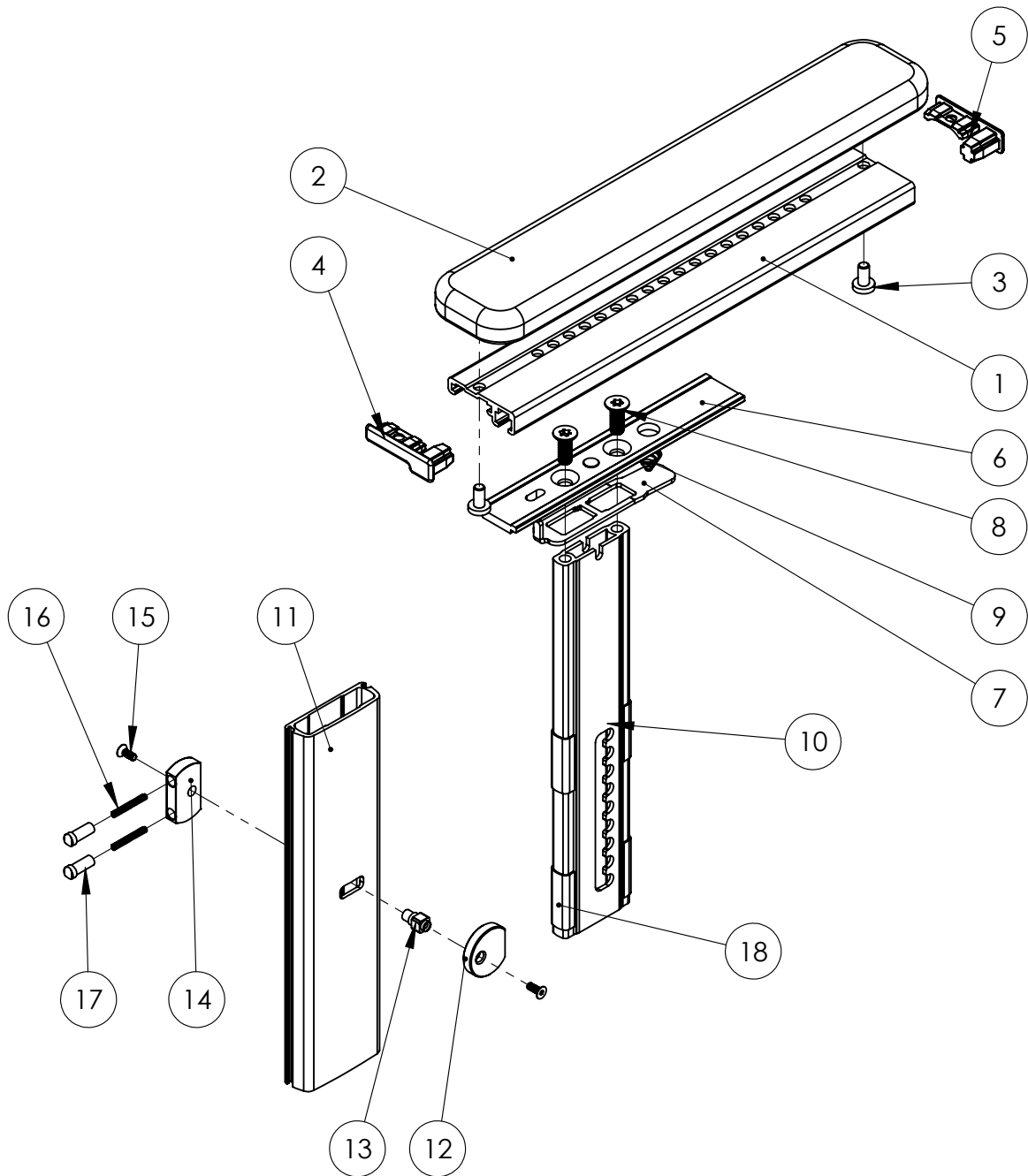
E2.1 - rev. A

rev. 2020-06-12

Pos.	Art.no.	Description	Incl.
	35411	Armrest Unit Standard Left	1-18
	35412	Armrest Unit Standard Right	1-18
		Pole unit 195 left cpl with rail	6-18
		Pole unit 195 right cpl with rail	6-18
1		Armrest rail external	
2	35441	Arm Pad	
3	81104	Screw MRX 5x10	
4	82143-1	Cover armrest rail left	
5	82144-1	Cover armrest rail right	
		Pole 195 left cpl	10-18
		Pole 195 right cpl	10-18
6		Armrest rail internal cpl	
7		Catch	
8	81137	Screw MFT M6x16 fzb	
9	81875	Spring	
10		Pole armrest external 195 left	
10		Pole armrest external 195 right	
11		Pole armrest internal 195 left	
11		Pole armrest internal 195 right	
12		Push button armrest	
13		Locking shaft pin	
14		Spring holder	
15		Screw F6S M3x8 fzb	
16		Spring	
17		Pin push button	
18		Felt tape 20x30mm	

Armstödsenhet standard

Denna ritning får ej kopieras eller överlåtas utan tillstånd av HD Rehab AB



Spare parts**HD Motion****E2.2**Refers to exploded view: **Armrest Unit Low**

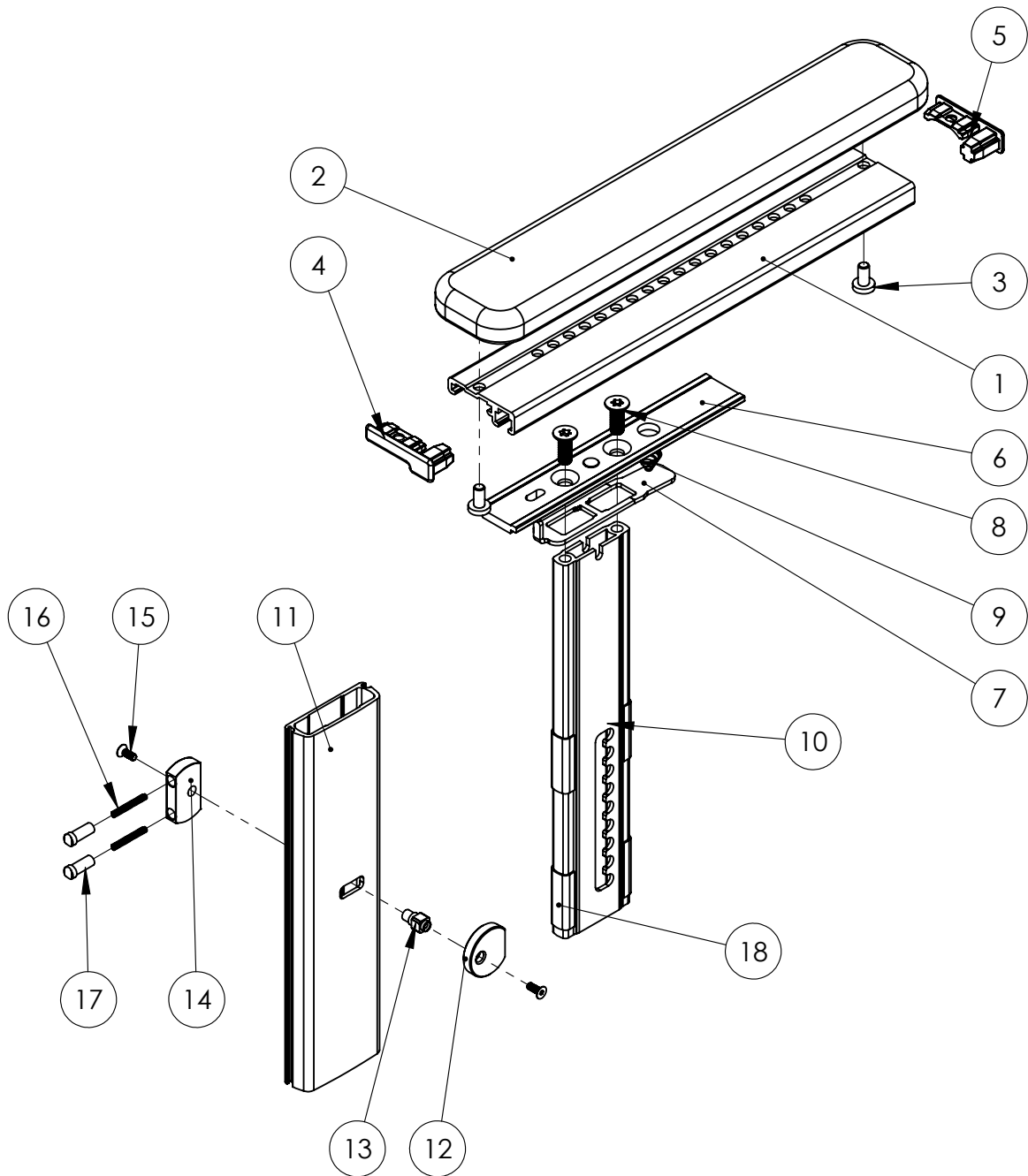
E2.2 - rev. A

rev. 2020-06-12

Pos.	Art.no.	Description	Incl.
	35413	Armrest Unit Low Left	1-18
	35414	Armrest Unit Low Right	1-18
		Pole unit 155 left cpl with rail	6-18
		Pole unit 155 right cpl with rail	6-18
1		Armrest rail, external	
2	35441	Arm Pad	
3	81104	Screw MRX 5x10	
4	82143-1	Cover, armrest rail left	
5	82144-1	Cover, armrest rail right	
		Pole 155 cpl left	10-18
		Pole 155 cpl right	10-18
6		Armrest rail, internal cpl	
7		Catch	
8	81137	Screw MFT M6x16 fzb	
9	81875	Spring	
10		Pole external 155 left	
10		Pole external 155 right	
11		Pole internal 155 left	
11		Pole internal 155 right	
12		Push button armrest	
13		Locking shaft pin	
14		Spring holder	
15		Screw F6S M3x8 fzb	
16		Spring	
17		Pin, push button	
18		Felt tape 20x30mm	

Armstödsenhet lågt

Denna ritning får ej kopieras eller överlåtas utan tillstånd av HD Rehab AB



Spare parts**HD Motion****E2.3**Refers to exploded view: **Armrest Unit angle adjustable**

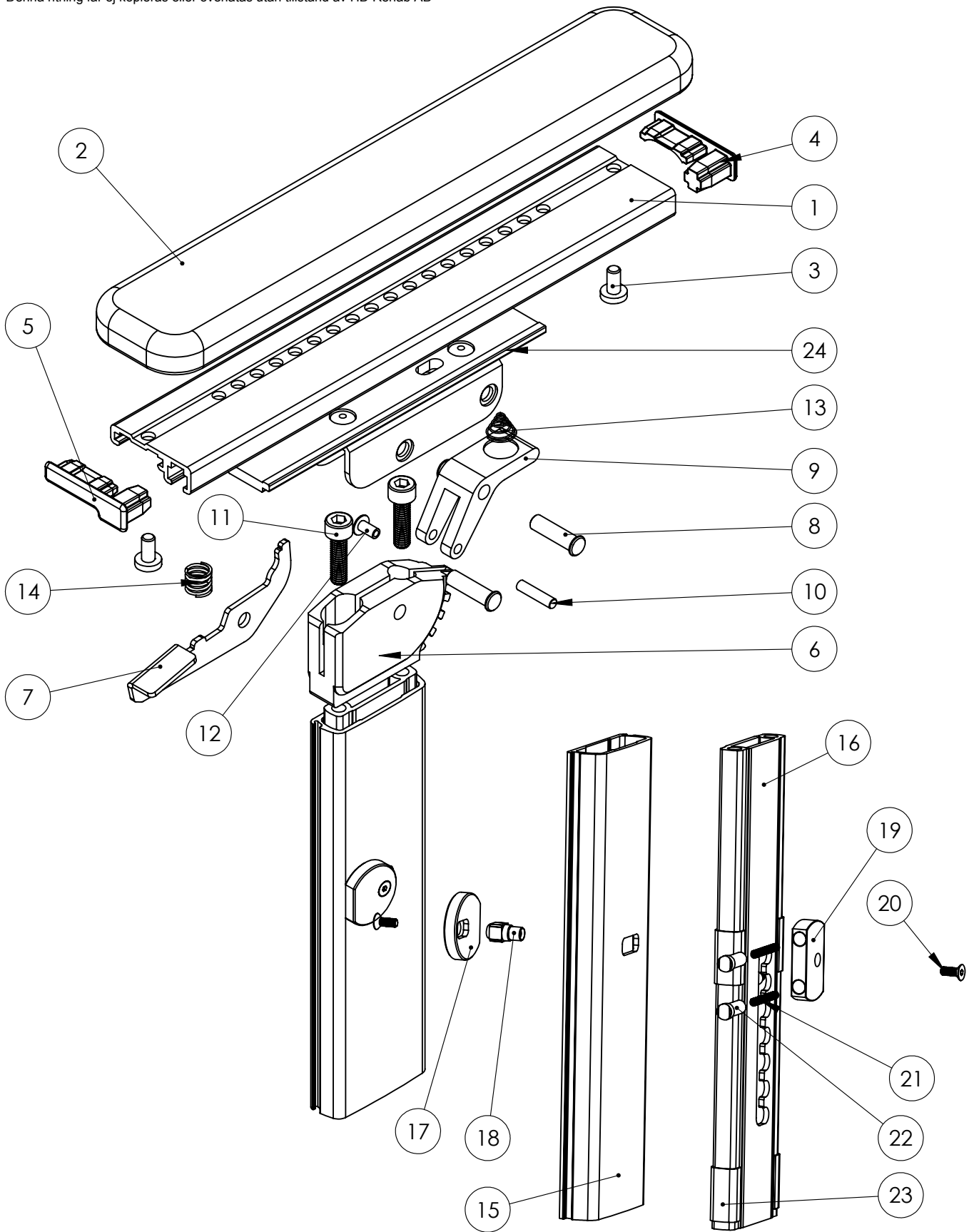
E2.3 - rev. A

rev. 2020-06-12

Pos.	Art.no.	Description	Incl.
	35418	Armrest unit angle adjustable right	1-24
	35419	Armrest unit angle adjustable left	1-24
		Pole 175 angle adjustable right cpl with rail	6-24
		Pole 175 angle adjustable left cpl with rail	6-24
1		Armrest rail external	
2		Arm pad	
3	81104	Screw MRX 5x10	
4	82143-1	Cover, armrest rail left	
5	82144-1	Cover, armrest rail right	
		Pole 175 right cpl	15-23
		Pole 175 left cpl	15-23
6		Block, angle adjustable armrest	
7		Rail catch	
8		Pin	
9		Angle catch	
10		Pin	
11		Screw MC6S M6x22 fzb	
12	81458	Blind rivet 4.0x7.6	
13	81875	Spring	
14	81894	Spring 2450	
15		Pole 175 external right	
15		Pole 175 external left	
16		Pole 175 internal right	
16		Pole 175 internal left	
17		Push button armrest	
18		Locking shaft pin	
19		Spring holder	
20		Screw F6S M3x8 fzb	
21		Spring	
22		Pin, push button	
23		Felt tape 20x30mm	
24		Bracket with rail	

Armstödsenhet vinkling

Denna ritning får ej kopieras eller överlåtas utan tillstånd av HD Rehab AB



Spare parts**HD Barnstol****E3.1**Refers to exploded view: **Side Support standard & low**

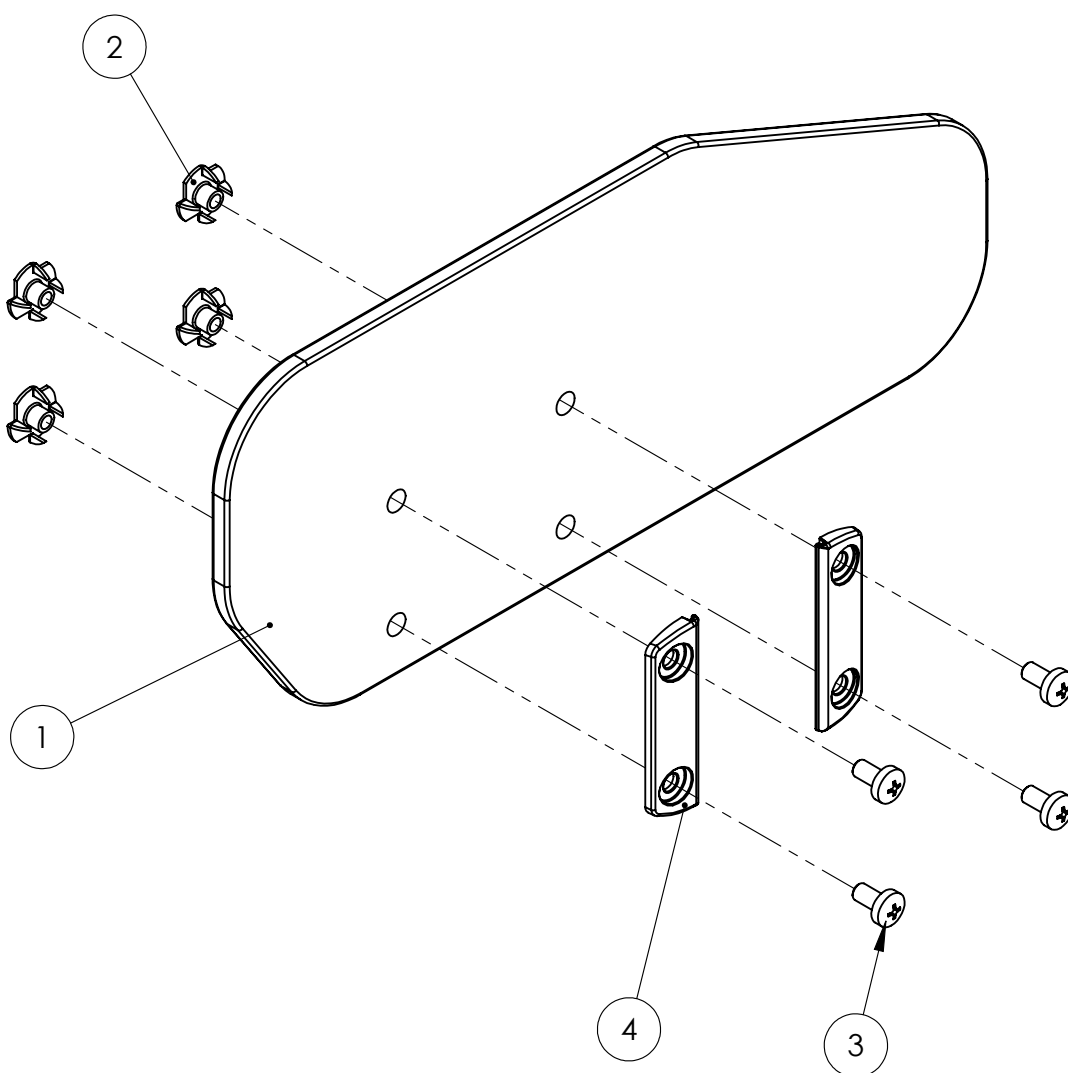
E3.1 - rev. A

rev. 2020-06-12

Pos.	Art.no.	Description	Incl.
	35471	Side Support standard left	1-4
	35472	Side Support standard right	1-4
	35473	Side Support low left	1-4
	35474	Side Support low right	1-4
		Side support plate standard with cover left	1-2
		Side support plate standard with cover right	1-2
		Side support plate low with cover left	1-2
		Side support plate low with cover right	1-2
1		Side support plate standard left	
1		Side support plate standard right	
1		Side support plate low left	
1		Side support plate low right	
1		Cover side support standard	
1		Cover side support low	
2		Tee Nut M5x6	
3	81101	Screw MRX 5x8	
4		Mounting plate side support	

Sidostödsenhet Standard och låg

Denna ritning får ej kopieras eller överlåtas utan tillstånd av HD Rehab AB



Spare parts**HD Motion****F1.1**Refers to exploded view: **Thoracic Support Swing adjustable**

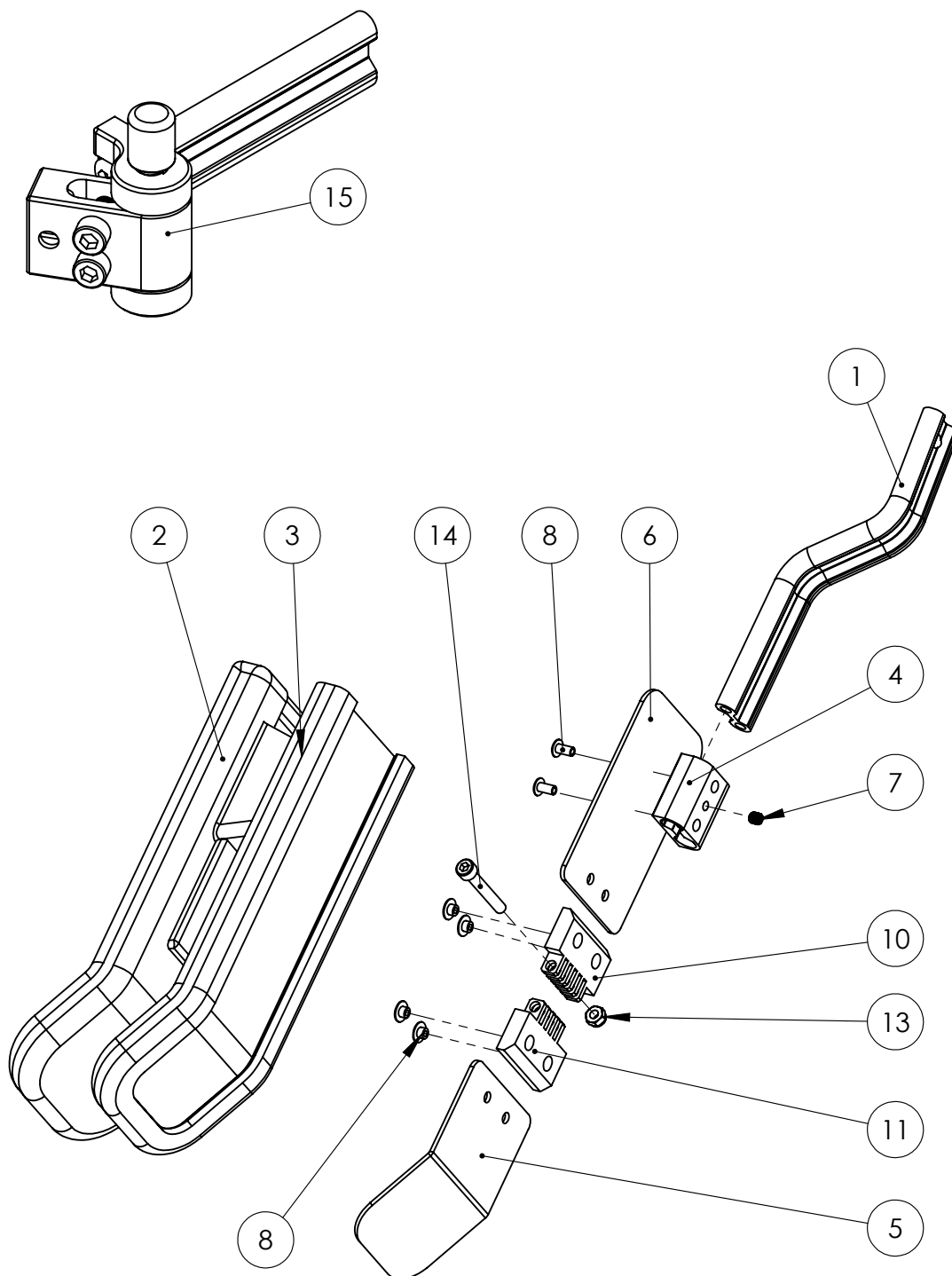
F1.1 - rev. A

rev. 2020-06-11

Pos.	Art.no.	Description	Incl.
	39317	Thoracic Support Swing adjustable left	1-15
	39318	Thoracic Support Swing adjustable right	1-15
		Thoracic support with bar, black	1-13
1		Mounting profile, thoracic support adjustable	
2	49961	Cover thoracic support adjustable mini std black	
3		Pad	
		Plate thoracic support adjustable cpl	4-13
4		Housing 32mm	
		Hinge small cpl	10-13
5		Plate front standard mini	
6		Plate, back	
7	81312	Screw P6SS M5x5	
8	81455	Blind rivet 4.8x8 ST/ST	
9	81458	Blind rivet 4.0x7.6	
10		Half Hinge small external	
11		Half Hinge small internal	
12	81261	Screw MC6S M5x35	
13	81504	Nut M6M 5	
14	81294	Screw K6S M6x16 fzb	
15		Joint thoracic support swing left cpl	See page F1.3
15		Joint thoracic support swing right cpl	See page F1.3

Bålstöd ställbart

Denna ritning får ej kopieras eller överlåtas utan tillstånd av HD Rehab AB



Spare parts**HD Motion****F1.2**Refers to exploded view: **Thoracic Support Fixed & Fixed Swing**

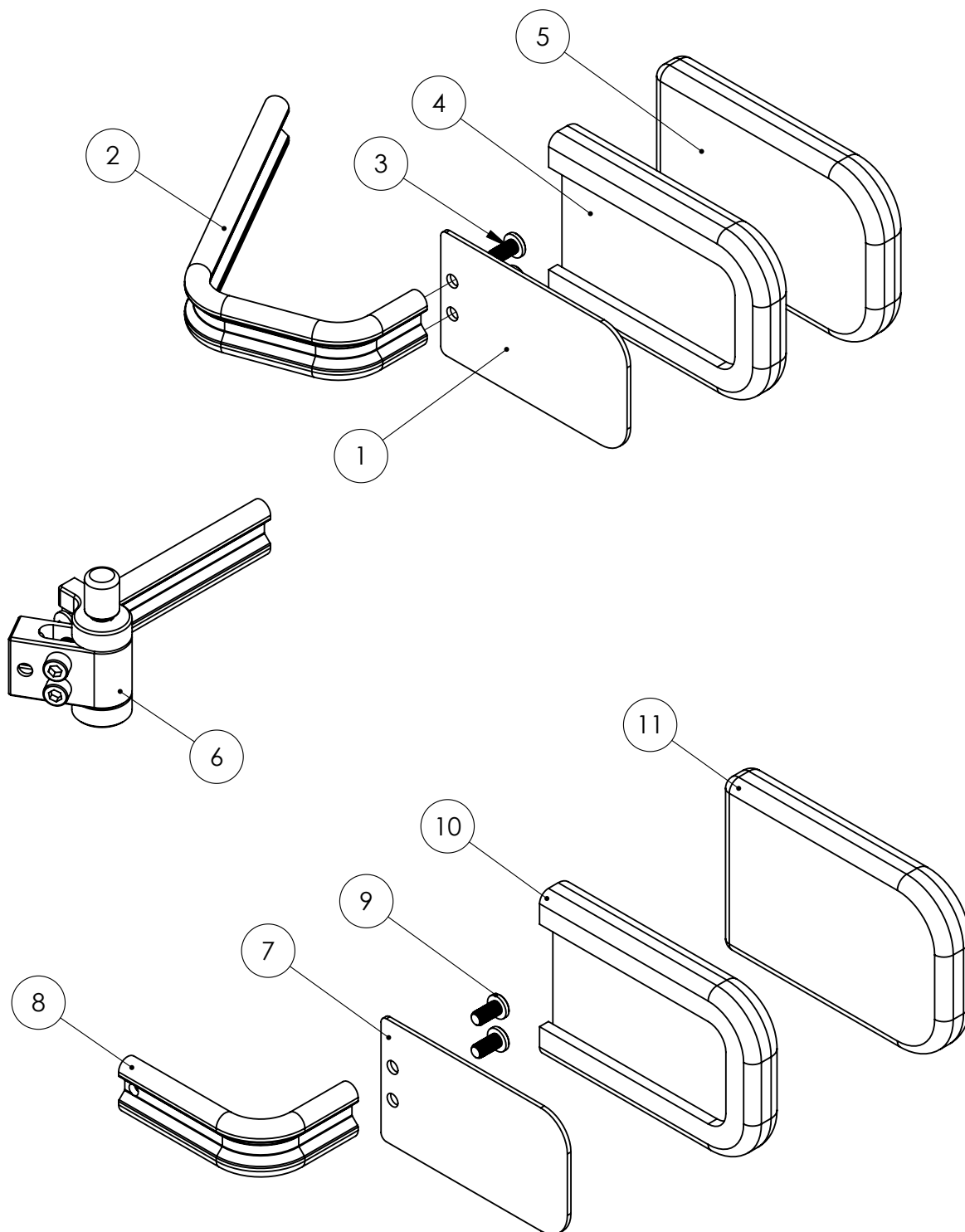
F1.2 - rev. A

rev. 2020-06-12

Pos.	Art.no.	Description	Incl.
	39301	Thoracic Support Fixed small	1-5
1		Plate thoracic support straight model	
2		Mounting profile thoracic support fixed straight model	
3		Screw K6S M6x12 sv	
4		Pad	
5	42941	Cover thoracic support fixed small, black	
	39305	Thoracic Support Fixed Swing left	6-11
	39306	Thoracic Support Fixed Swing right	6-11
		Thoracic support with mounting profile	7-11
6		Joint thoracic support swing left cpl	See page F1.3
6		Joint thoracic support swing right cpl	See page F1.3
7		Plate thoracic support straight model small	
8		Mounting profile Swing straight model	
9		Screw K6S M6x12 black	
10		Pad	
11	42941	Cover thoracic support fixed small, black	

Bålstöd fast och fast swing

Denna ritning får ej kopieras eller överlåtas utan tillstånd av HD Rehab AB



Spare parts**HD Motion****F1.3**Refers to exploded view: **Joint Thoracic support Swing**

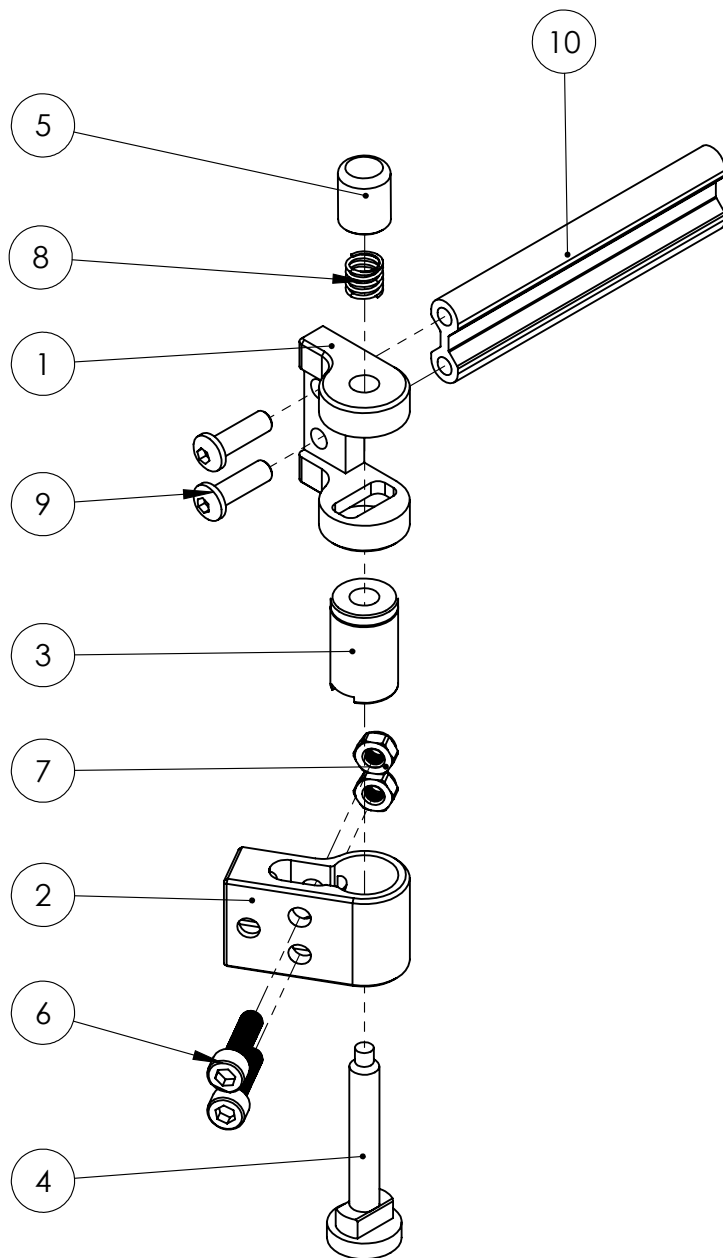
F1.3 - rev. A

rev. 2020-06-11

Pos.	Art.no.	Description	Incl.
	39355-1	Joint Thoracic support Swing cpl left	1-10
	39355-2	Joint Thoracic support Swing cpl right	1-10
		Joint thoracic support swing left	1-8
		Joint thoracic support swing right	1-8
1		Joint fork left	
1		Joint fork right	
2		Joint internal	
3		Bushing	
4		Pin	
5		Push button swing	
6	81396	Screw MC6S M6x22 fzb	
7	81522	Locking nut M6	
8		Spring 2450	
9	81355	Screw K6S M6x20 sv.	
10		Mounting profile swing	

Led bålstöd swing

Denna ritning får ej kopieras eller överlätas utan tillstånd av HD Rehab AB



Spare parts**HD Motion****F2.1**Refers to exploded view: **Tray Table**

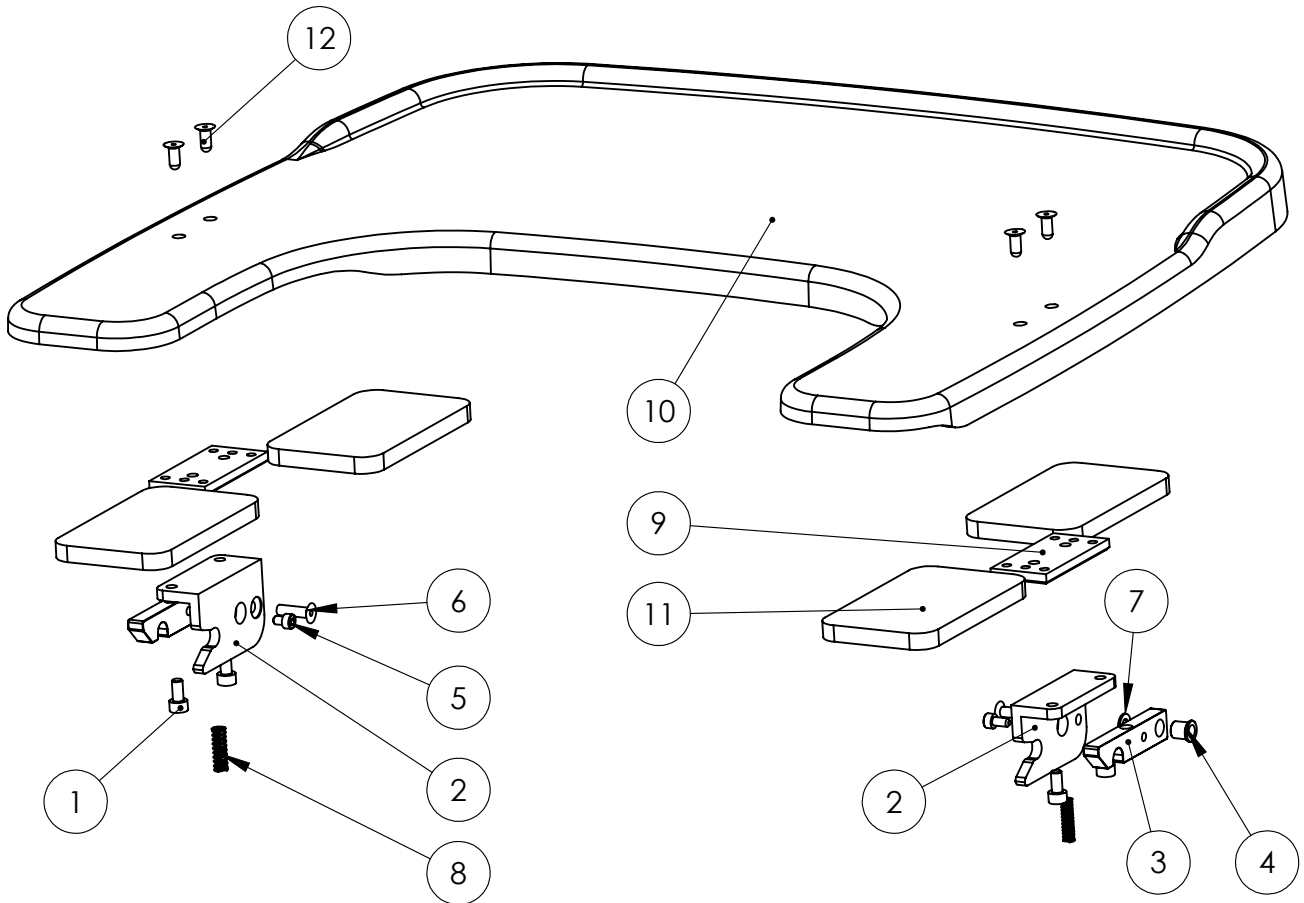
F2.1 - rev. A

rev. 2020-11-06

Pos.	Art.no.	Description	Incl.
	39541	Tray Table Plexi sw30 with mount locking	1-12
	39551	Tray Table Plexi sw34 with mount locking	1-12
	39545	Tray Table Wood sw30 with mount locking	1-12
	39555	Tray Table Wood sw34 with mount locking	1-12
		Tray table mount locking cpl left	2-8
		Tray table mount locking cpl right	2-8
		Tray table plexi sw30 with adapter plate	9-12
		Tray table plexi sw34 with adapter plate	9-12
1	81238	Screw MC6S M5x10	
2		Tray table mount left	
2		Tray table mount right	
3		Lock lever tray table mount	
4		Bushing, lock lever	
5	81285	Screw MC6S M4x8 fzb	
6	81443	Blind rivet 4.8x17x120	
7	81601	Washer BRB 5.3x10x1	
8		Spring	
9		Adapter plate tray	
10		Tray plexi sw30	
10		Tray plexi sw34	
10		Tray wood sw30	
10		Tray wood sw34	
11		Padding	
12	81452	Blind rivet 4.8x12 AL/ST	

Bord plexi

Denna ritning får ej kopieras eller överlämnas utan tillstånd av HD Rehab AB



Spare parts**HD Motion****F2.2**Refers to exploded view: **Support Table**

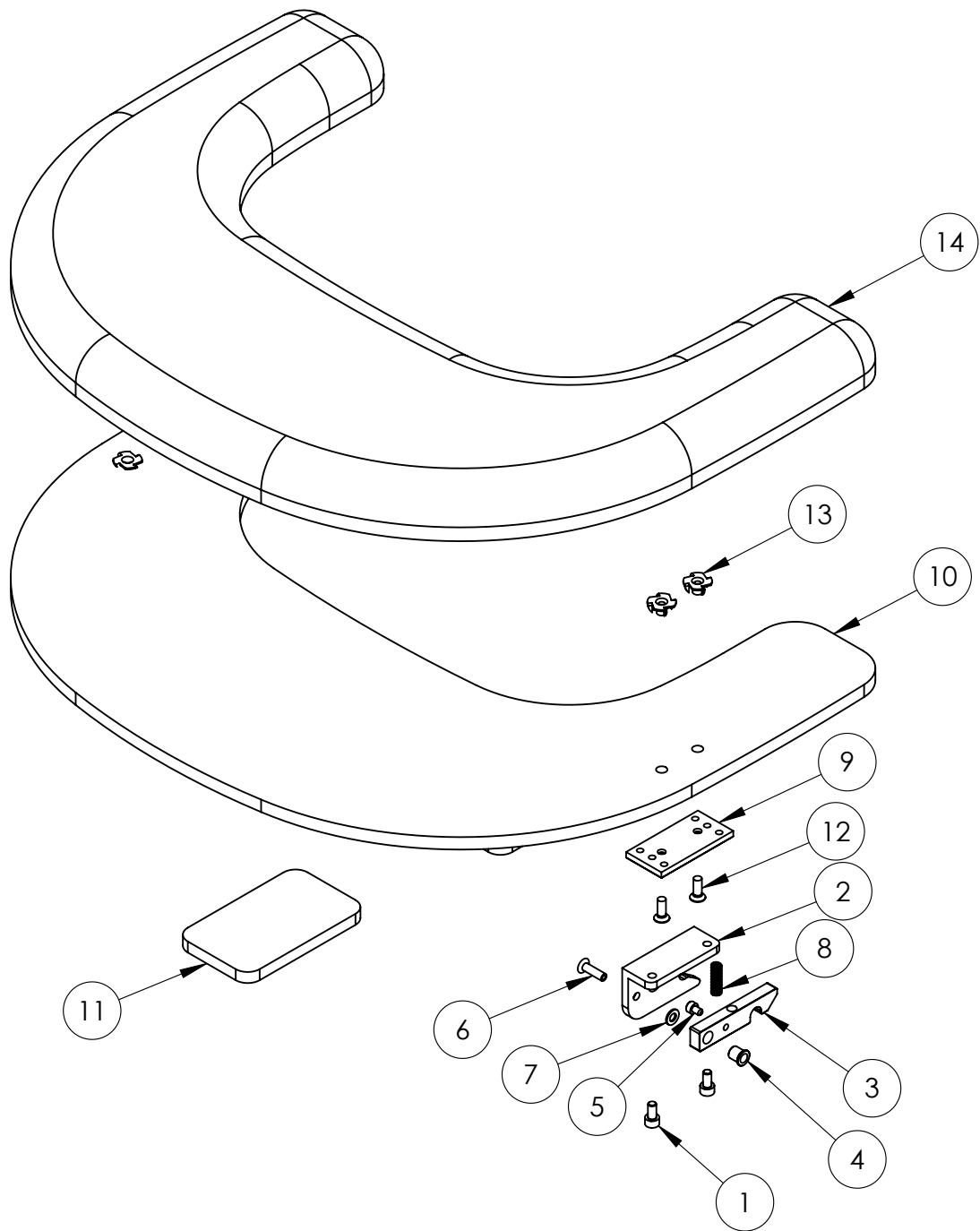
F2.2 - rev. A

rev. 2020-11-04

Pos.	Art.no.	Description	Incl.
	39561	Support Table sw34 cpl with locking mount	1-14
	39563	Support Table sw30 cpl with locking mount	1-14
	39515-1	Tray table mount locking left cpl	2-8
	39515-2	Tray table mount locking right cpl	2-8
		Support table sw34 with adapter plate	9-14
		Support table sw30 with adapter plate	9-14
1	81238	Screw MC6S M5x10	
2		Tray table mount left	
2		Tray table mount right	
3		Lock lever tray table mount	
4		Bushing, lock lever	
5		Screw MC6S M4x8 fzb	
6		Blind rivet 4,8x17x120	
7		Washer BRB 5,3x10x1	
8		Spring	
9		Adapter plate Tray	
10		Table, supporting sw34	
10		Table, supporting sw30	
11		Padding	
12		Screw MFX 5x14	
13		Tee nut M5x8 sv	
14		Cover supporting table sw34	
14		Cover supporting table sw30	

Stödbord

Denna ritning får ej kopieras eller överlåtas utan tillstånd av HD Rehab AB



Spare parts**HD Motion****F3.1**Refers to exploded view: **Headrest small & large without side brackets**

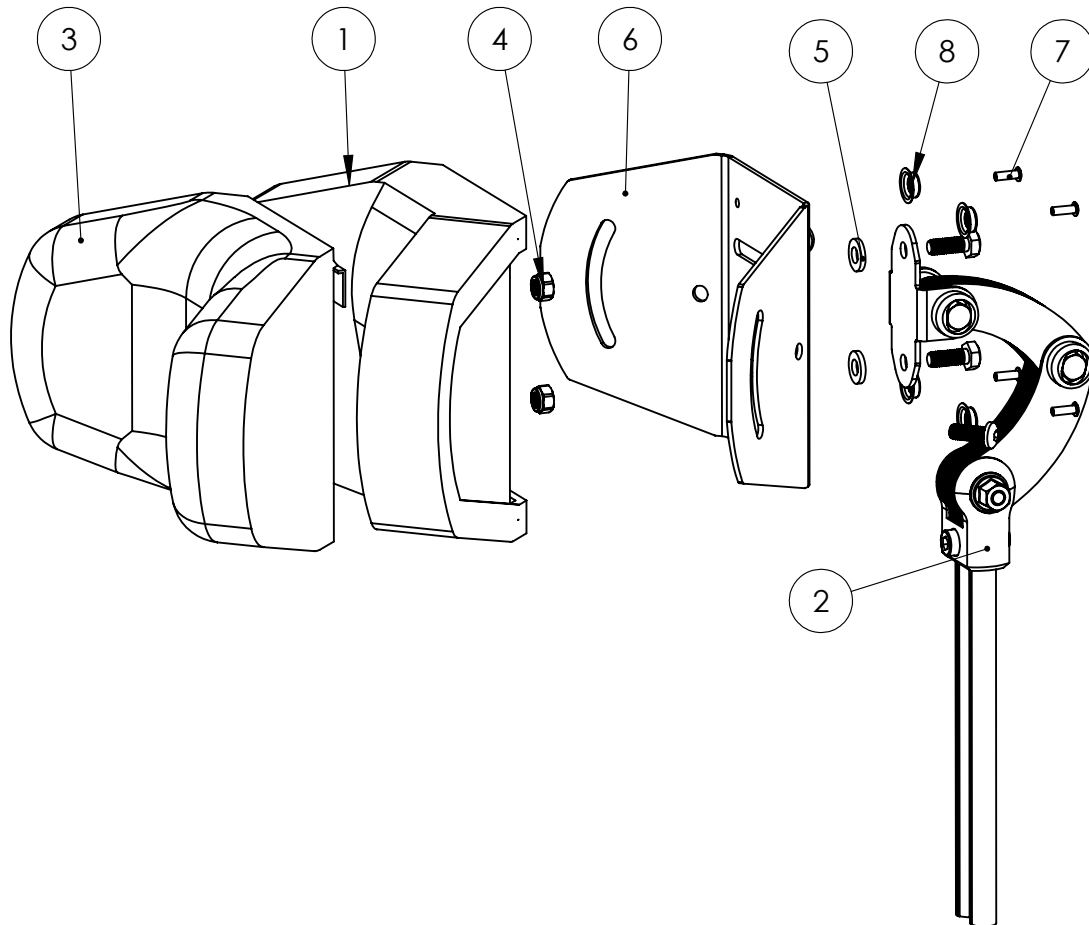
F3.1 - rev. A

rev. 2020-06-12

Pos.	Art.no.	Description	Incl.
	39106	Headrest Small without side brackets	1-8
	39102	Headrest Large without side brackets	1-8
		Plate headrest small with press stud	6-8
		Plate headrest large with press stud	6-8
1		Pad headrest small	
1		Pad headrest large	
2		Extension bar headrest	See page F3.4
3	42973	Cover Headrest Small	
3	42971	Cover Headrest Large	
4	81522	Locking nut M6	
5	81677	Washer pl. 13x6.5x2	
6		Plate headrest small	
6		Plate headrest large	
7	81453	Blind rivet 3.2x9.5 MUL	
8		Press stud	

Huvudstöd Liten och stor

Denna ritning får ej kopieras eller överlämnas utan tillstånd av HD Rehab AB



Spare parts**HD Motion****F3.2**Refers to exploded view: **Headrest Small & Large with side brackets**

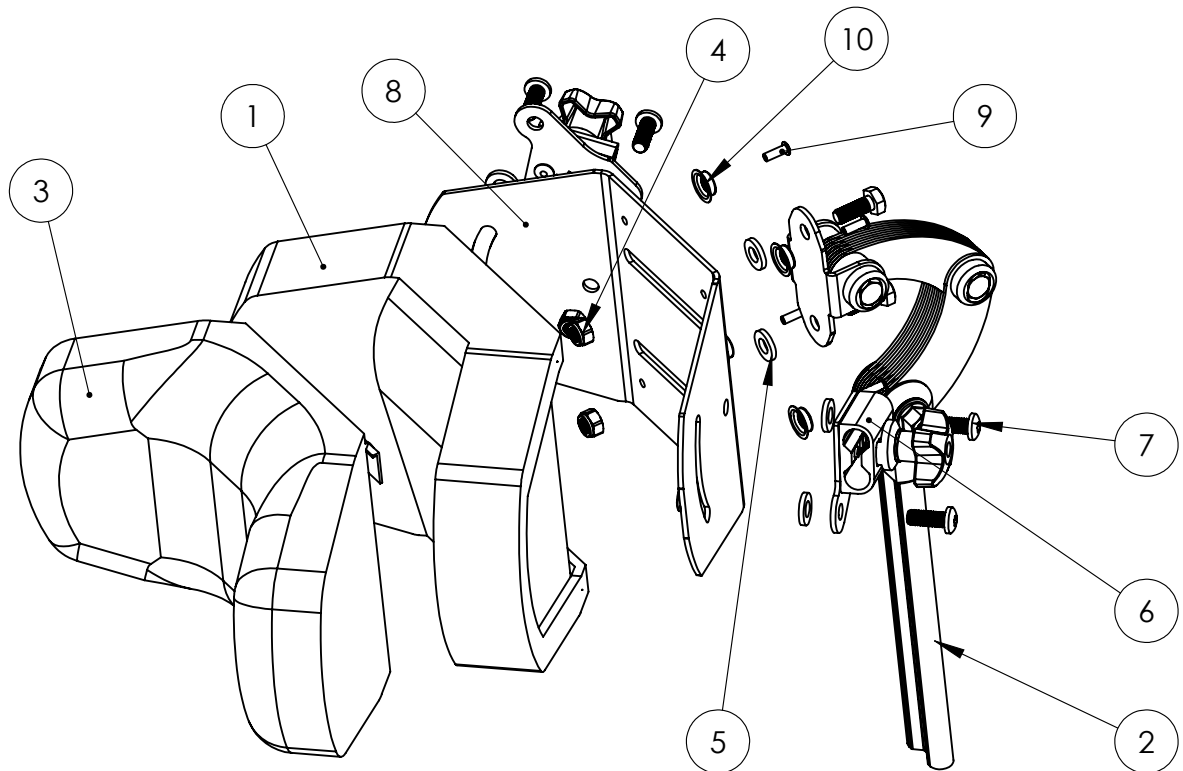
F3.2 - rev. A

rev. 2020-06-05

Pos.	Art.no.	Description	Incl.
	39105	Headrest Small with side brackets	1-10
	39101	Headrest Large with side brackets	1-10
		Plate headrest small cpl with side brackets	6-10
		Plate headrest large cpl with side brackets	6-10
1		Pad headrest small	
1		Pad headrest large	
2		Extension bar headrest cpl	See page F3.4
3	42973	Cover headrest small	
3	42971	Cover headrest large	
4	81522	Locking nut M6	
5	81677	Washer pl. 13x6.5x2	
		Plate headrest small with press stud	14-16
		Plate headrest large with press stud	14-16
6		Side support bracket with plate left	See page F3.3
6		Side support bracket with plate right	See page F3.3
7	81392	Screw K6S M6x14 fzb	
8		Plate headrest small	
8		Plate headrest large	
9	81453	Blind rivet 3.2x9.5 MUL	
10		Press stud	

Huvudstöd Liten och stor med ställhylsor

Denna ritning får ej kopieras eller överlåtas utan tillstånd av HD Rehab AB



Spare parts**HD Motion****F3.3**Refers to exploded view: **Side bracket- & Side Support for Headrest**

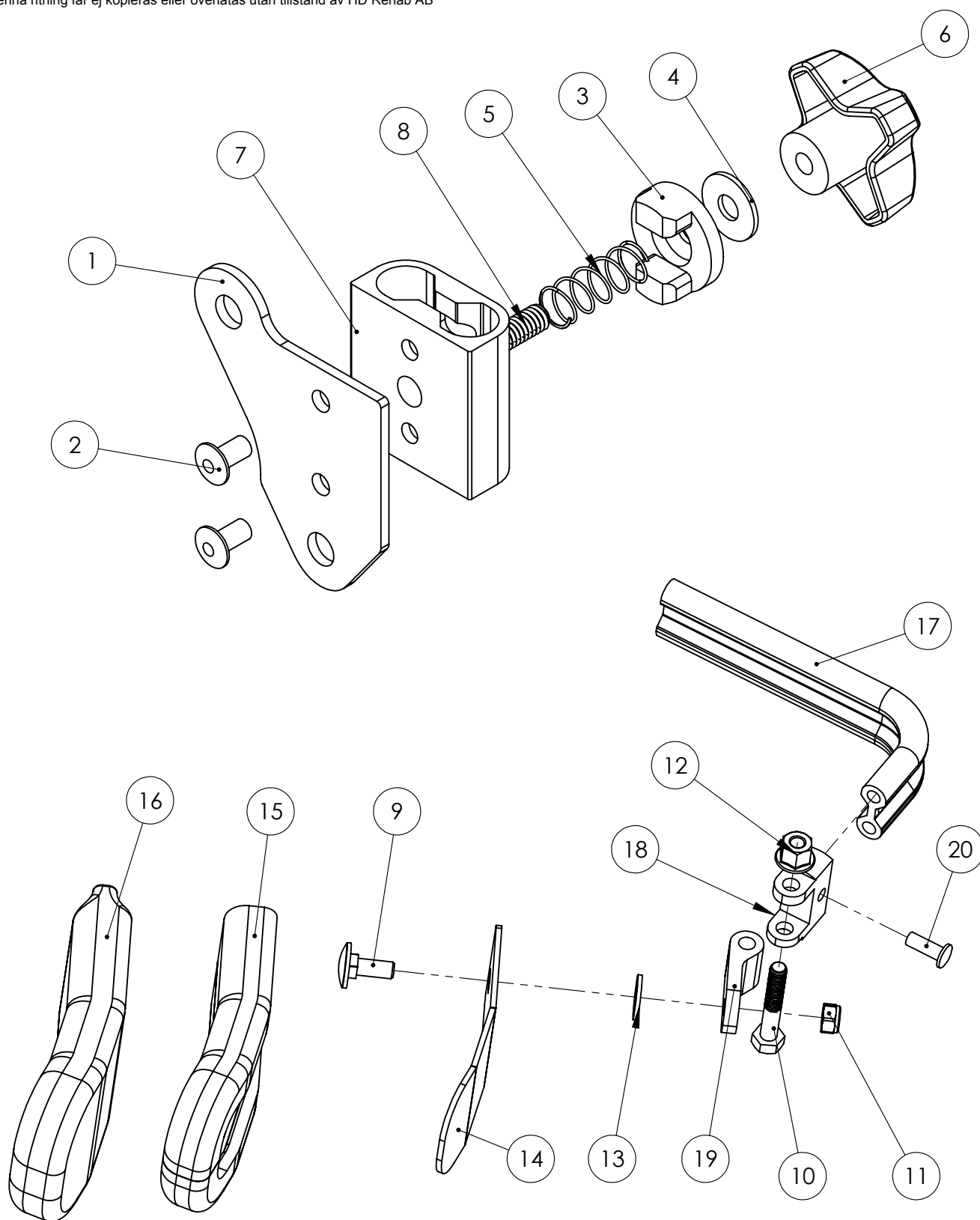
F3.3 - rev. A

rev. 2020-06-12

Pos.	Art.no.	Description	Incl.
	39130-1	Side bracket with plate for headrest left	
	39130-2	Side bracket with plate for headrest right	
		Housing cpl with knob	3-8
1		Plate for side bracket small	
2	81458	Blind rivet 4.0x7.6 ST/ST	
		Housing with screw	7-8
3		Washer	
4	81630	Washer NB 5x13x1	
5	81869	Spring	
6	81957-2	Knob M5	
7		Housing for headrest	
8		Pin	
	39151	Side Support for headrest	9-20
		Support Pad headrest with cover	14-16
		Mounting profile headrest	17-20
9	81217	Screw MVBF M6x16 fzb	
10	81347	Screw M6S M6x35 fzb	
11	81522	Locking nut M6	
12	81545	Nut DIN 6926 M6 high	
13	81603	Washer BRB8.4x16x1.5	
14		Plate side support headrest	
15		Pad	
16	42981	Cover side support headrest	
17		Mounting profile headrest	
18		Joint bracket	
19		Joint	
20		Tubular Rivet KHN 5x14 fzb	

Ställhylsa huvudstöd och sidostöd

Denna ritning får ej kopieras eller överlåtas utan tillstånd av HD Rehab AB



Spare parts**HD Motion****F3.4**Refers to exploded view: **Extension Bar Headrest cpl**

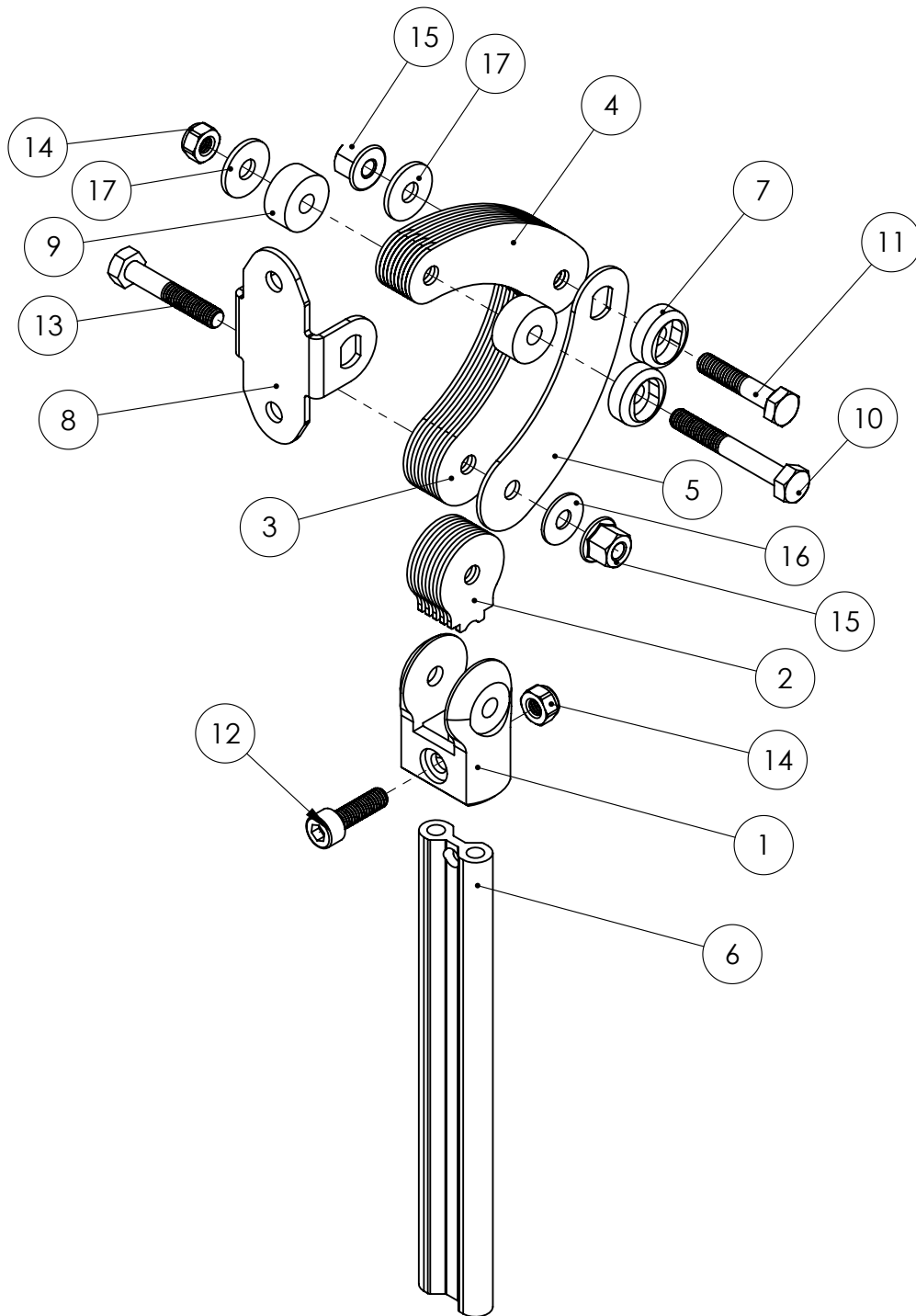
F3.4 - rev. A

rev. 2020-06-11

Pos.	Art.no.	Description	Incl.
	39141	Extension Bar Headrest cpl	
1		Joint piece headrest	
2		Space plate headrest	
3		Link plate lower headrest	
4		Link plate upper headrest	
5		Link plate side headrest	
6		Mounting profile headrest	
7		Nut shoe M6 headrest	
8		Angle plate headrest extension	
9		Spacer 18x8.3	
10	81201	Screw M6S M6x45	
11	81229	Screw M6S M6x30 fzb	
12	81287	Screw MC6S M6x20	
13	81347	Screw M6S M6x35 fzb	
14	81522	Locking nut M6	
15	81545	Nut DIN 6926 M6 high	
16	81607	Washer NB 6x16x1 fzb	
17	81655	Washer M6 6.4x18x1.6 DIN 9021 black	

Ställrör huvudstöd

Denna ritning får ej kopieras eller överlåtas utan tillstånd av HD Rehab AB



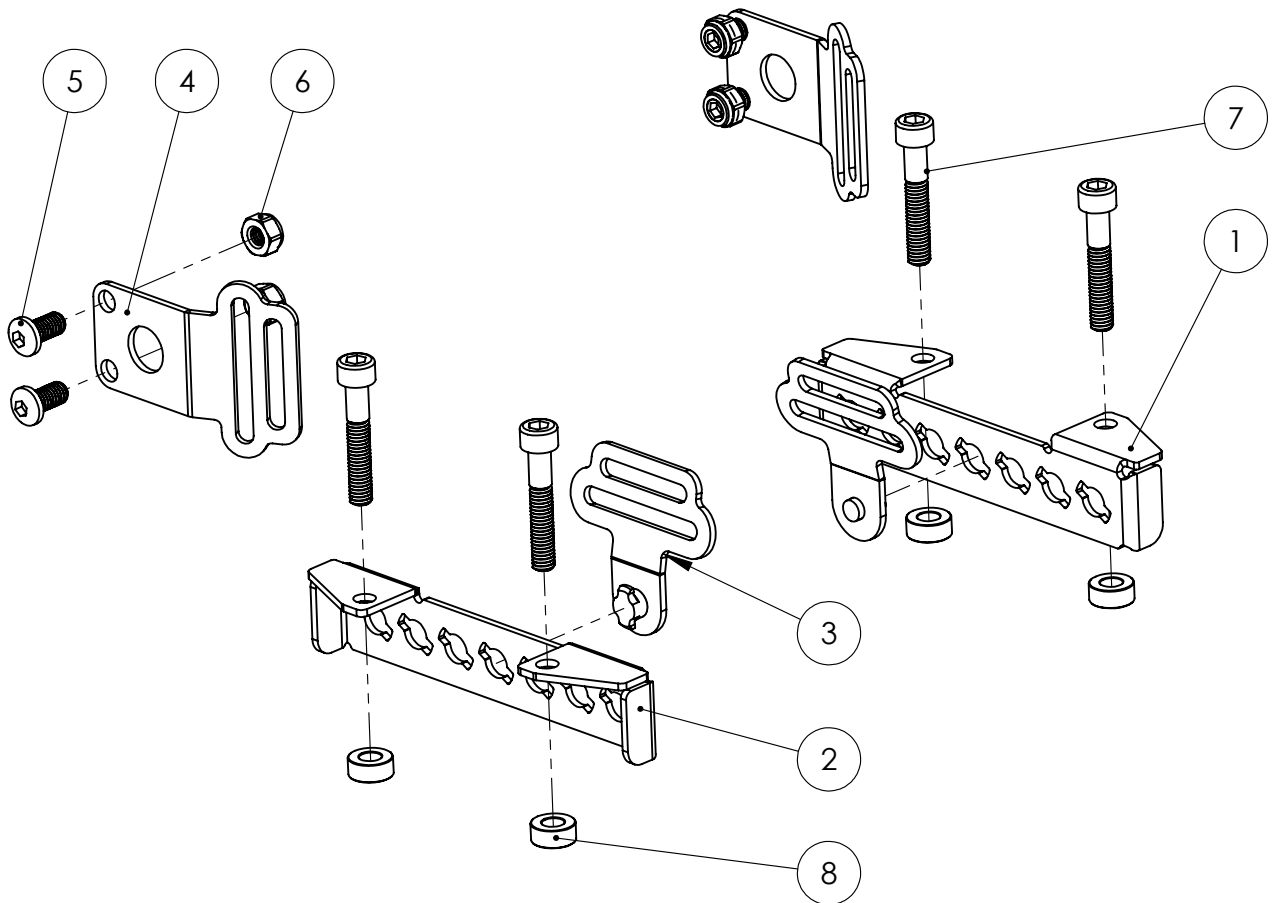
Spare parts**HD Motion****F4.1**Refers to exploded view: **Belt mounting kit**
F4.1 - rev. B

rev. 2020-06-11

Pos.	Art.no.	Description	Incl.
	39710	Belt mounting kit	1-6
1		Belt mounting rail left	
2		Belt mounting rail right	
3		Belt mount forward	
4		Belt mount back	
5	81354	Screw K6S M6x12 black	
6	81522	Locking nut M6	

Bältesfäste

Denna ritning får ej kopieras eller överlämnas utan tillstånd av HD Rehab AB



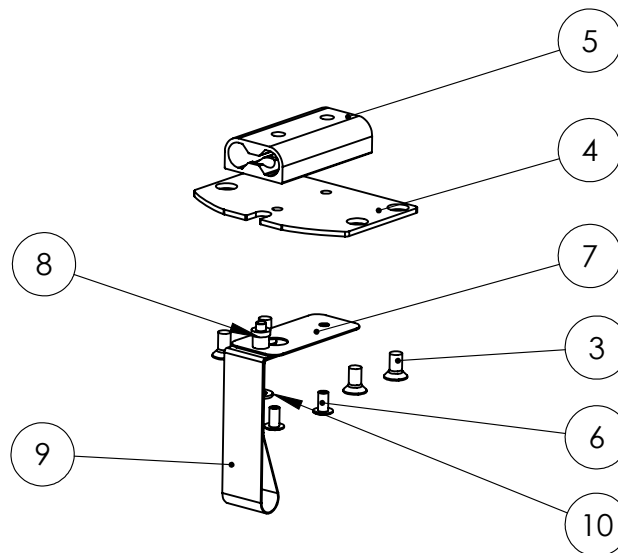
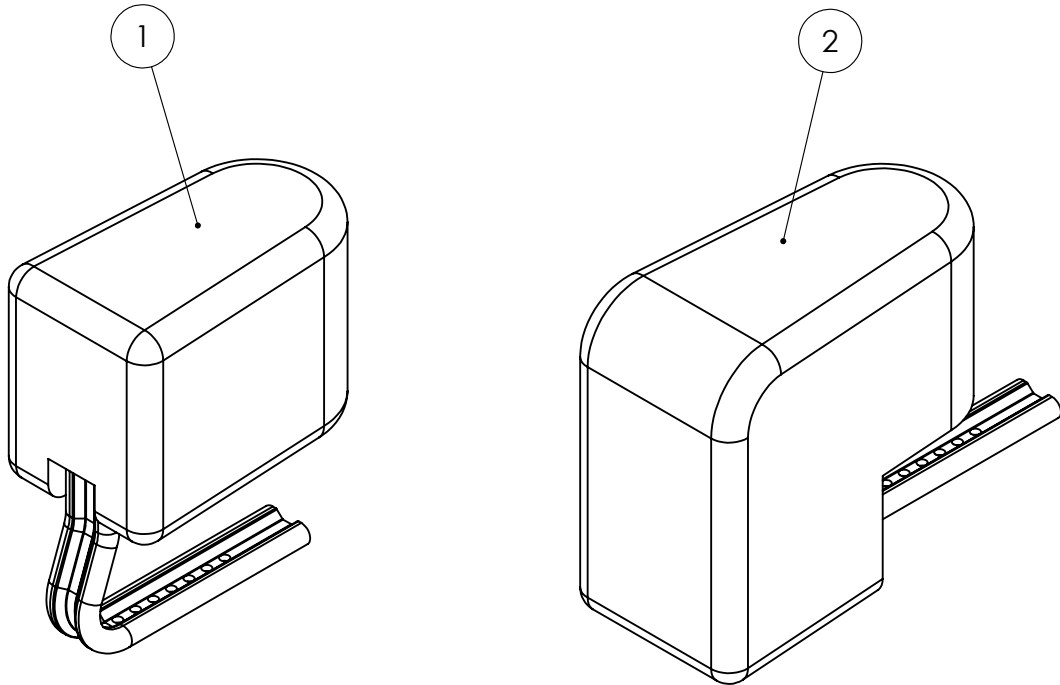
Spare parts**HD Motion****F5.1**Refers to exploded view: **Leg & Knee Spacer**
F5.1 - rev. A

rev. 2020-06-11

Pos.	Art.no.	Description	Incl.
1	39602	Leg Spacer	1 & 3-10
1	42961	Cover pommel inward	
2	39612	Knee Spacer	2-10
2	42962	Cover pommel forward	
	39620-1	Leg/Knee spacer mount cpl with screw	3-10
		Mount Leg/Knee spacer cpl	4-10
3	81112	Screw MFX M5x10 fzb	
4		Plate pommel mount	
		Spring plate cpl	7-10
5		Housing	
6	81458	Blind rivet 4.0x7.6	
7		Leaf spring	
8		Spring pin	
9		Draw strap	
10	81601	Washer BRB 5.3x10x1	

Bendelare Bendelarfäste

Denna ritning får ej kopieras eller överlåtas utan tillstånd av HD Rehab AB



Spare parts**HD Motion****F6.1**Refers to exploded view: **Harness bracket**

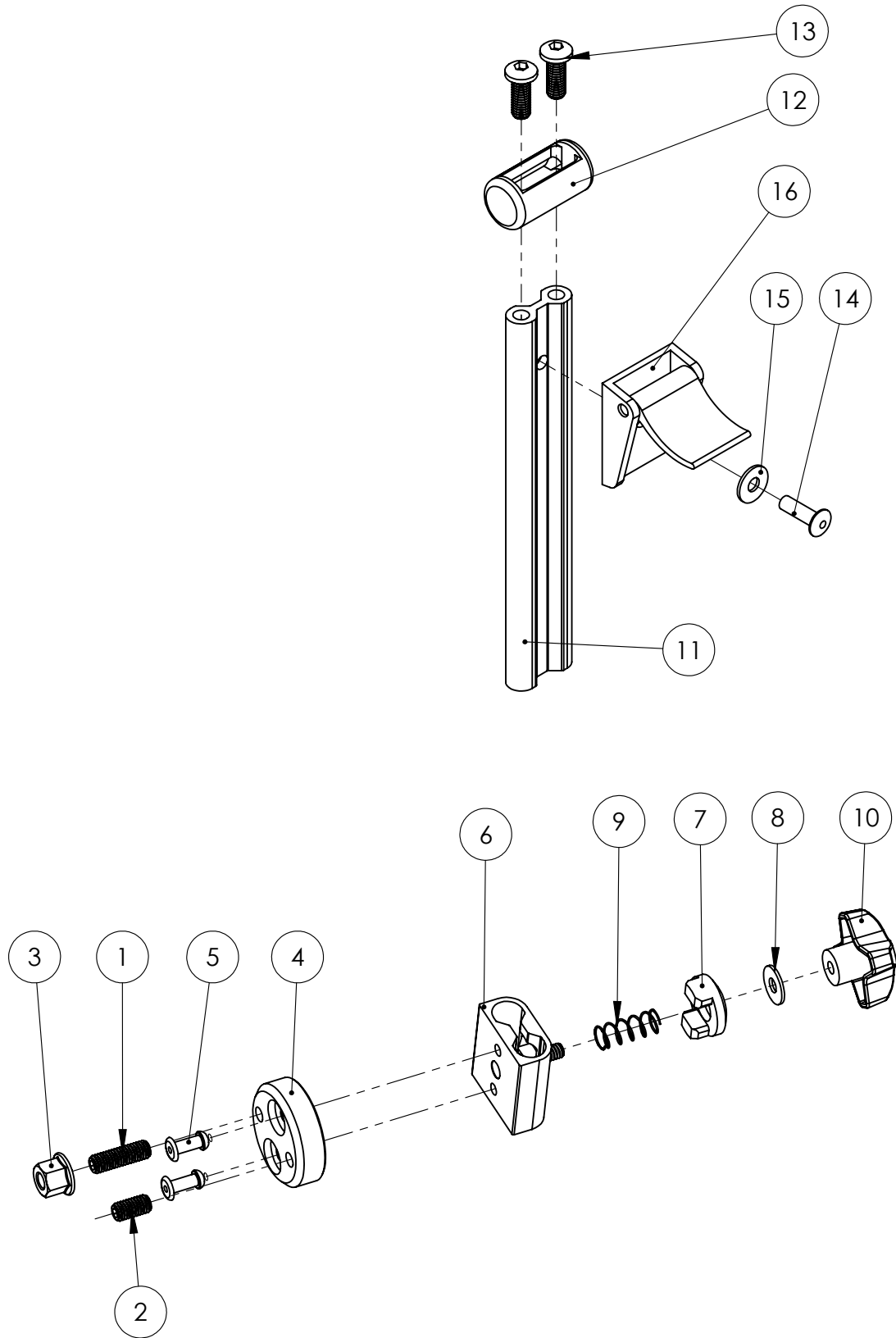
F6.1 - rev. A

rev. 2020-06-11

Pos.	Art.no.	Description	Incl.
	39752	Harness bracket cpl with screw	1-10
		Harness bracket	4-10
1	81317	Screw P6SS M6x20	
2	81325	Screw P6SS M6x12	
3	81545	Nut DIN 6926 M6 high	
		Housing cpl with knob	6-10
4		Turning disc	
5	81445	Blind rivet 4.0x14 Alu	
6		Housing with screw	
7		Washer	
8	81630	Washer NB 5x13x1	
9	81869	Spring	
10	81957-2	Knob M5	
	39755	Harness post cpl	11-16
11		Mounting profile harness bracket	
12		Fastening loop	
13	81294	Screw K6S M6x16 fzb	
14	81449	Blind rivet 4.8x16 ST/ST	
15	81630	Washer NB 5x13x1	
16		Fixlock starp 325	

Fäste Bröstsele

Denna ritning får ej kopieras eller överlämnas utan tillstånd av HD Rehab AB



Spare parts**HD Motion****F7.1**Refers to exploded view: **Space Cushion**

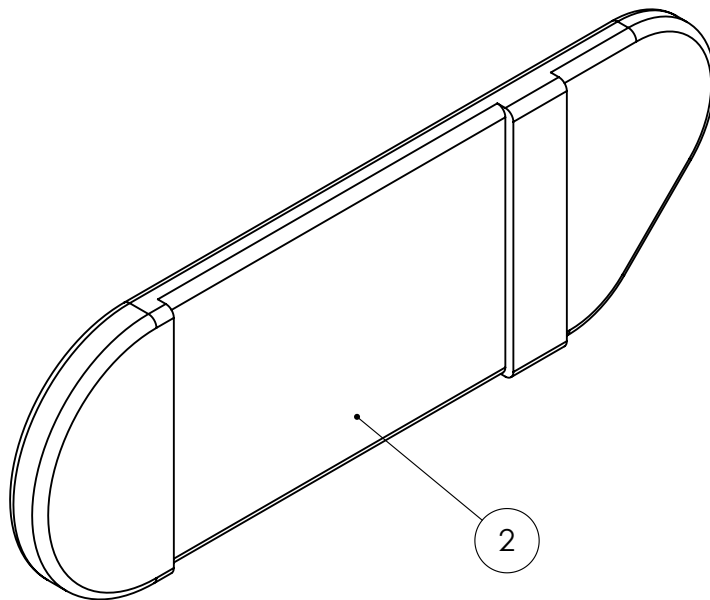
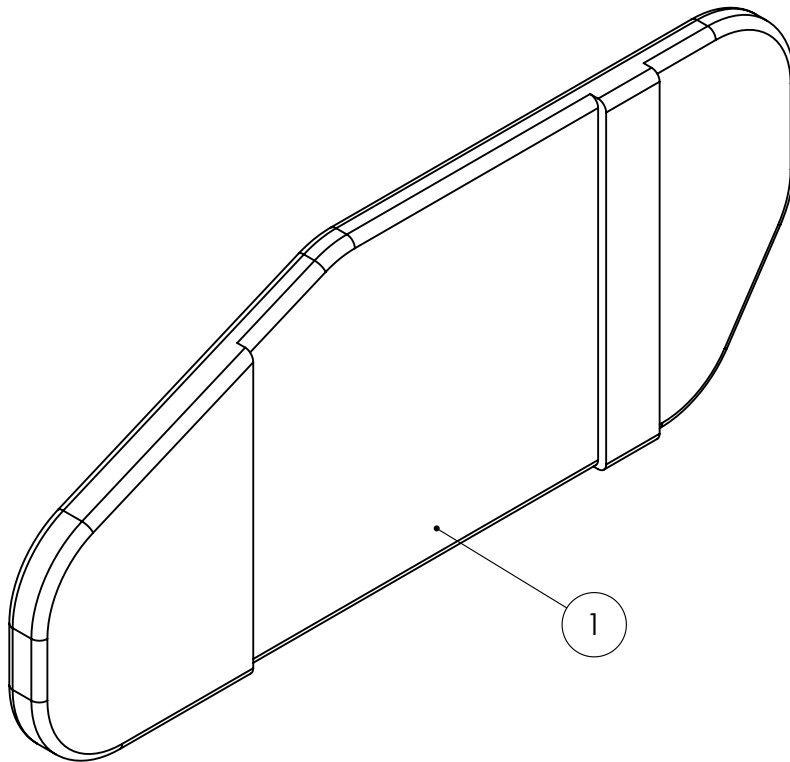
F7.1 - rev. A

rev. 2020-11-04

Pos.	Art.no.	Description	Incl.
1	39680	Space Cushion Std 1cm, pair	
2	39685	Space Cushion Low 1cm, pair	
		Space cushion left 1cm std Space cushion right 1cm std	
		Space cushion left 1cm low Space cushion right 1cm low	

Utfyllnadskudde

Denna ritning får ej kopieras eller överlämnas utan tillstånd av HD Rehab AB



Spare parts**HD Motion****G1.1**Refers to exploded view: **Seat cushions**

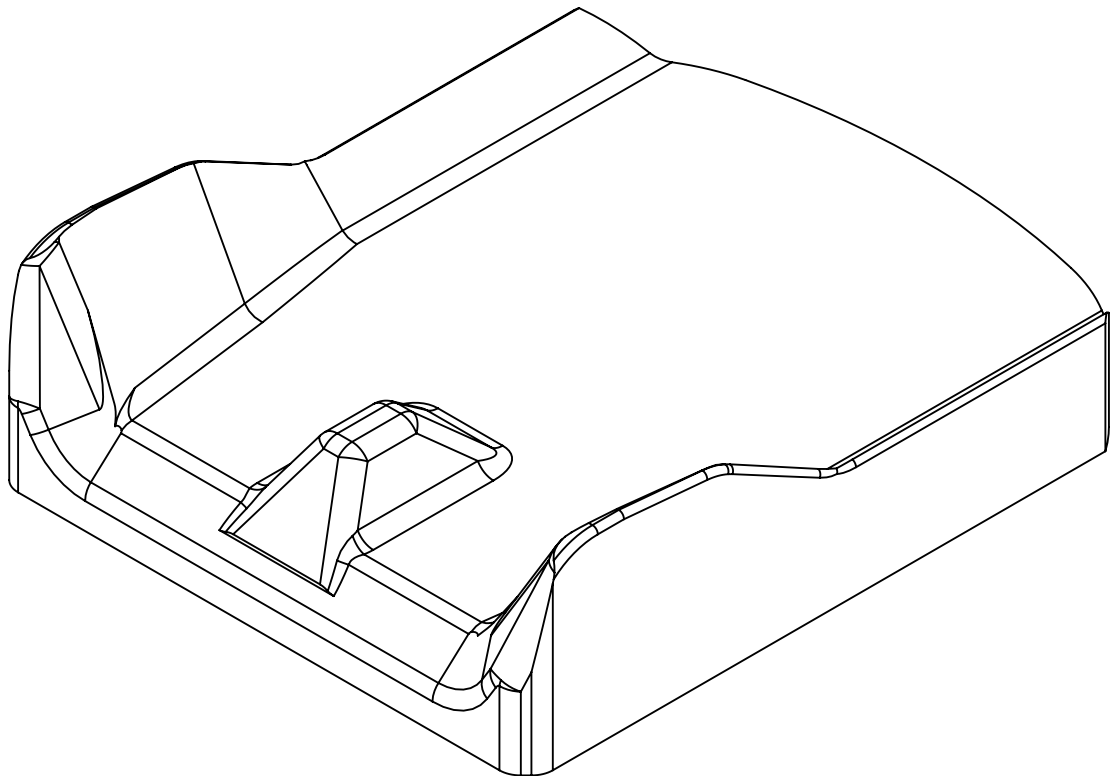
G1.1 - rev. A

rev. 2020-11-03

Pos.	Art.no.	Description	Incl.
	38410	Seat cushion sw30 L (long) Std Black	
	38420	Seat cushion sw30 K (short) Std Black	
	38510	Seat cushion sw34 L (long) Std Black	
	38520	Seat cushion sw34 K (short) Std Black	
	38415	Seat cushion sw30 L (long) Incont	
	38425	Seat cushion sw30 K (short) Incont	
	38515	Seat cushion sw34 L (long) Incont	
	38525	Seat cushion sw34 K (short) Incont	
		Cushion Pad sw30 L (long)	
	42531	Seat Cover sw30 L (long) Std	
	42532	Seat Cover sw30 L (long) Incont	
		Cushion Pad sw30 K (short)	
	42541	Seat Cover sw30 K (short) Std	
	42542	Seat Cover sw30 K (short) Incont	
		Cushion Pad sw34 L (long)	
	42511	Seat Cover sw34 L (long) Std	
	42512	Seat Cover sw34 L (long) Incont	
		Cushion Pad sw34 K (short)	
	42521	Seat Cover sw34 K (short) Std	
	42522	Seat Cover sw34 K (short) Incont	

Sittdynor

Denna ritning får ej kopieras eller överlämnas utan tillstånd av HD Rehab AB



Spare parts**HD Motion****G2.1**Refers to exploded view: **Back Cushions with wings**

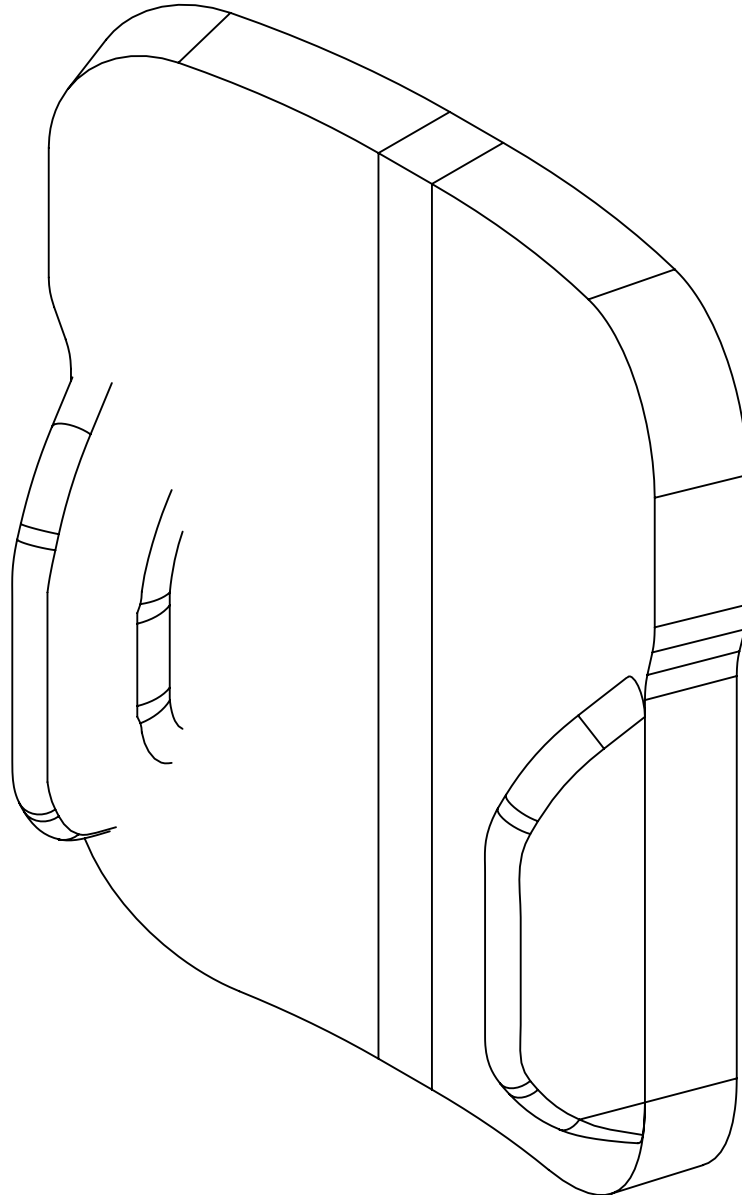
G2.1 - rev. A

rev. 2020-06-05

Pos.	Art.no.	Description	Incl.
	38470	Back Cushion sw30 XK (extra short) with wings	
	38460	Back Cushion sw30 K (short) with wings	
	38450	Back Cushion sw30 L (long) with wings	
	38570	Back Cushion sw34 XK (extra short) with wings	
	38560	Back Cushion sw34 K (short) with wings	
	38550	Back Cushion sw34 L (long) with wings	
	42585	Cushion Pad sw30 XK (extra short) with wings Back Cover sw30 XK (extra short) with wings	
	42581	Cushion Pad sw30 K (short) with wings Back Cover sw30 K (short) with wings	
	42571	Cushion Pad sw30 L (long) with wings Back Cover sw30 L (long) with wings	
	42565	Cushion Pad sw34 XK (extra short) with wings Back Cover sw34 XK (extra short) with wings	
	42561	Cushion Pad sw34 K (short) with wings Back Cover sw34 K (short) with wings	
	42551	Cushion Pad sw34 L (long) with wings Back Cover sw34 L (long) with wings	

Ryggdynor Standard

Denna ritning får ej kopieras eller överlätas utan tillstånd av HD Rehab AB



Spare parts**HD Motion****G2.2**Refers to exploded view: **Back Cushions Flat**

G2.2 - rev. A

rev. 2020-06-05

Pos.	Art.no.	Description	Incl.
	38475	Back Cushion sw30 XK (extra short) Flat	
	38465	Back Cushion sw30 K (short) Flat	
	38455	Back Cushion sw30 L (long) Flat	
	38575	Back Cushion sw34 XK (extra short) Flat	
	38565	Back Cushion sw34 K (short) Flat	
	38555	Back Cushion sw34 L (long) Flat	
	42587	Cushion Pad sw30 XK (extra short) Flat Back Cover sw30 XK (extra short) Flat	
	42586	Cushion Pad sw30 K (short) Flat Back Cover sw30 K (short) Flat	
	42576	Cushion Pad sw30 L (long) Flat Back Cover sw30 L (long) Flat	
	42567	Cushion Pad sw34 XK (extra short) Flat Back Cover sw34 XK (extra short) Flat	
	42566	Cushion Pad sw34 K (short) Flat Back Cover sw34 K (short) Flat	
	42556	Cushion Pad sw34 L (long) Flat Back Cover sw34 L (long) Flat	

Ryggdynor Plan

Denna ritning får ej kopieras eller överlåtas utan tillstånd av HD Rehab AB

