

# Shoulder support for HD Balance

## Shoulder support

When positioning a user a shoulder support can be used to give support and improve the user's position and balance, and to prevent the user leaning out to the side. The expectation is that the user does not have use of the arm, as the shoulder support can limit movement. To use the shoulder support it is necessary that the user's shoulder joint has some muscular support.

The user's needs and possible risks must be assessed in each individual case.

The shoulder support is mounted to the HD Balance backrest system and placed against the outside of the user's upper arm. It can be adjusted in height, depth, angle, and rotation in two planes, which allows for even pressure along the upper arm. With a release button the shoulder support can easily be rotated away when transferring the user in to or out of the wheelchair.

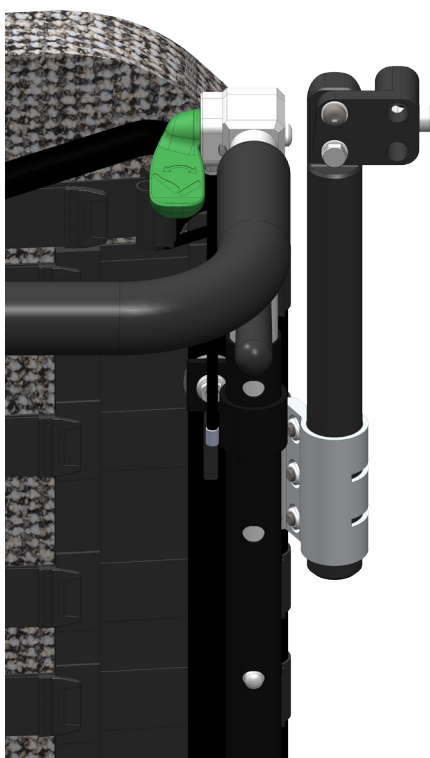
A



## Mount for shoulder support

The shoulder support is put in place in a mount (B) that is attached to the back system of the wheelchair.

B



## Dimensions

Table 1 - Dimensions - shoulder support pad [cm]

| Model    | Height | Depth | Thickness |
|----------|--------|-------|-----------|
| Standard | 13     | 24    | 2,5       |

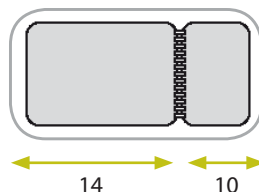
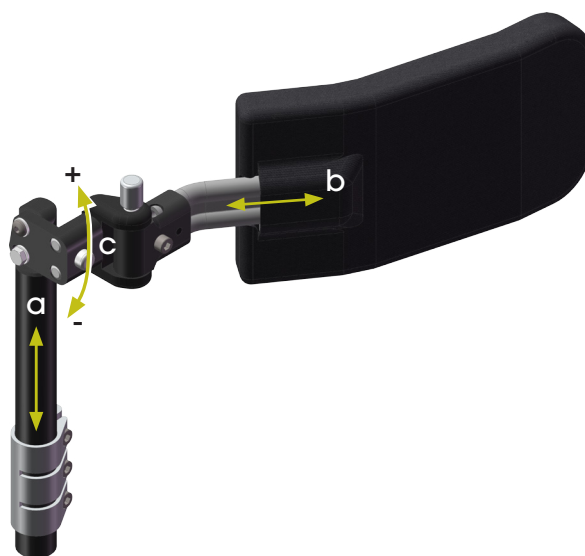


Table 2 - Dimensions - adjustments [cm]

| Model    | a<br>Height | b<br>Depth | c<br>Angle to<br>upper arm |
|----------|-------------|------------|----------------------------|
| Standard | 14          | 5,5        | +15°<br>-10°               |



## Covers

The shoulder support comes with grey Trevira fabric upholstery. The cover is removable and washable at 60°C. Covers can also be ordered separately.

## Keep in mind

- Note that use of a shoulder support requires careful setup so that the user receives good support and the shoulder support does not cause potentially harmful pressure.
- The shoulder support will limit / interfere with movement of the arm.
- If the user has reduced muscle tone in the shoulder joint use of a shoulder support may increase the risk of shoulder dislocation.
- Take note of pinching risks when using a shoulder support in combination with other accessories, for example armrest coaming.
- Some pressure against the overarm may occur when adjusting the recline angle of the wheelchair.
- The shoulder support cannot be used in combination with a trunk support.

## Article numbers

Article numbers for shoulder supports and mounts are found in the Prescription form (art. no. 95750-1).