

Belt mounts

All positioning belts are intended to be used with belt mounts (A). The mounts can be attached in different positions on the seat frame of the wheelchair for the desired placement of the belt (B).



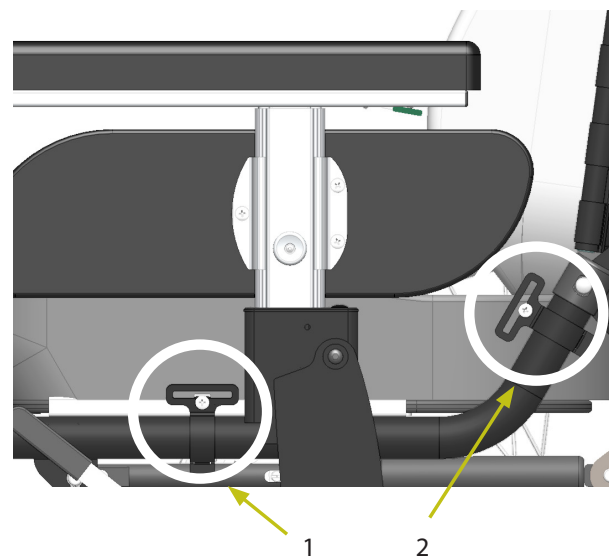
2-point belt

The belt is attached to the seat frame by the belt mounts, with either a forward placement (1 in picture B) or a rear placement (2 in picture B).

4-point belt

The belt is attached to the seat frame by two belt mounts on each side, a forward and a rear placement. See 1 and 2 in picture B.

B



Article Numbers

All article numbers are included in the Prescription Form, document number 95750-1. Belts and belt mounts are ordered separately.

Also read *Changes permitted while maintaining CE-marking*, doc. nr. 95724-1, and *List of combination agreements*, doc. nr. 95232.