

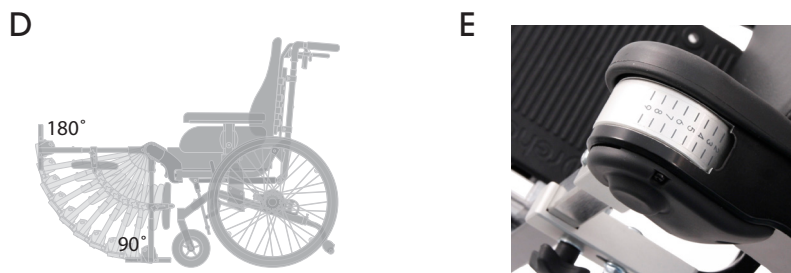
Legrests for HD Balance

There are three types of legrests; Angle adjustable legrest (A), Fixed-angle legrest (B), and Amputee legrest (C). The first two are available in three different lengths and are supplemented with the desired calf support (info sheet 95934-1) and desired footrest (info sheet 95935-1).

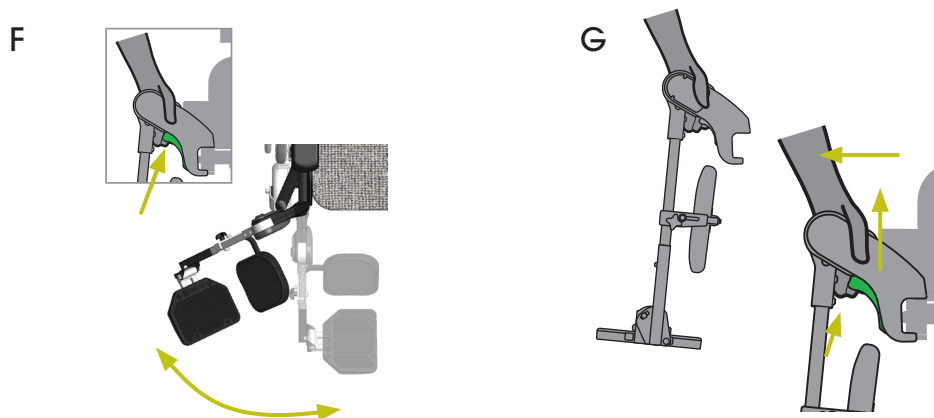


Angle adjustable legrest

Angle adjustable legrests allows changes in position of the legs, during rest and active sitting. The angle is adjustable between 90° and 180° (10 positions). A numbered scale facilitates the correct angulation of the legrests (E). All angle adjustment positions can be used without conflicting with the castors (this applies to the standard configuration).



The legrest can be removed/attached by first angling it out and then lift it off/put it on (F). It can also be removed without angling it out, i.e. it is instead lifted off/put on sideways behind the patient's leg (G). This means that the user does not need to straighten out their knee, an advantage when the user has contracture and/or spasticity.



Fixed-angle legrest

Legrests with fixed angle, 90° (H) or 105° (I), are used when there is no need for angle adjustment. Both can be used for users with limited mobility in the knee joint. Legrest with a fixed angle of 90° can also be used for breaking stretch spasticity and/or achieving a more active sitting of the user. Both can be used without conflicting with the castors (this applies to the standard configuration). When necessary, other desired angles can be custom made. The fixed-angle legrests are removed and mounted in the same way as the angle adjustable legrest, but with a different grip for decoupling.



Amputee legrest

The amputee legrest is angle adjustable in the same way as the angle adjustable legrest. The amputee legrest consists of a legrest tube (J), a support pad (K) and a bracket (L). It can be adjusted in angle between 140° and 180° (5 positions) (M). It can also be adjusted in length (N) and depth (O) as shown. As of spring 2015, the support pad is laterally adjustable in a continuous range of 4,5 cm (P). The amputee legrest is mounted and removed in the same way as the other legrests but with a knob that is pulled outward for decoupling.



Dimensions - angle adjustable and fixed-angle legrests

To achieve the functional dimensions in the tables below, tubes of different length are combined with footplate holders of different length. See the info sheet about footrests (no. 95935-1). In some cases the use of calf pads is limiting the functional length. This is indicated in the tables.

a = Length of the legrest tube, i.e. the whole of the square tube

b = Functional length = from the top of the seat plate to the top of the footplate with the legrest at 90°

Dimensions are given in cm.

Table 1 - Dimensions - Angle adjustable legrests

Model	a	b min	b max
Standard	38	29	43
Short ¹	30	19 ² , 21	27
Long	46	37	51

¹ Short footplate holder is used.

² Without calf pads

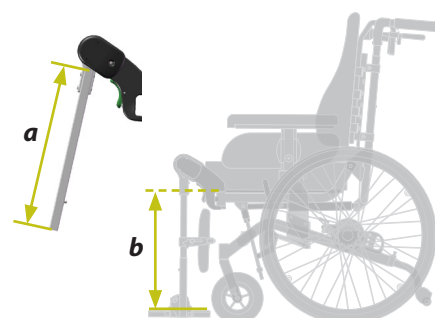


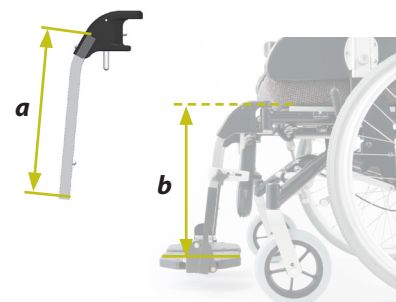
Table 2 - Dimensions - Fixed-angle legrests

Model	a	b min ¹	b max
Standard	31	29 ³ , 31	43
Short ²	23	21 ³ , 23	27
Long	39	37	51

¹The functional length (**b**) is measured on the 90° fixed-angle legrest. The same length apply to 105° except when using short legrest which gives **b min** = 19 cm without calf pads.

²Short footplate holder is used.

³Without calf pads



Dimensions - amputee legrest

The maximum distance between the seat cushion and the amputee legrest depends on the seat depth. With the seat plate in position 1 the maximum distance is 14 cm, and in position 7 it is 5 cm.

Table 3 - Dimensions - amputee legrest

Model	a [cm]
sw 38	14
sw 42	16
sw 46-50	18



Cover

The amputee legrest is covered with a wipe-clean artificial leather.

Keep in mind

- Legrests are also available in short and long model (not amputee legrest).
- Legrest, long model, requires increased seat height to use the 90°-position of the legrest with the seat tilt in 0°.
- There is a risk for pinching the hand when adjusting the angle of the amputee legrest.
- If the user has got any of their legs amputated this will increase the risk of the wheelchair tipping backwards. Use the antitip devices!
- One piece calf support combined with one piece footrest increases the legrests stability and durability and should be used for patients with significantly increased muscle tonus/spasticity. Use fixed angle legrests for maximum durability.

Possible function - Releasable knee joint

This knee joint (P) can be set to an unlocked mode. This makes it possible to adjust the angle of the legrests from one side, when using a one piece footplate or a footbox. The angle adjustment can then be operated by a single caregiver.



Article numbers

All article numbers are found in the Prescription Form, art.no. 95750-1.