

Intended use

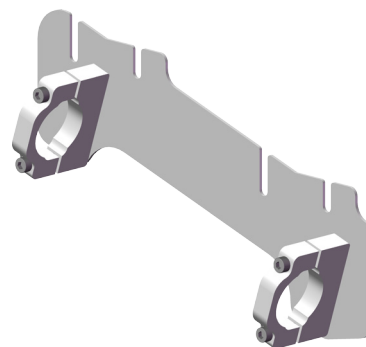
Wheel covers 16" are intended to be used for HD Balance with 16" drive wheels.

Parts included

2 x wheel cover (RH and LH)



2 x bracket (RH and LH)



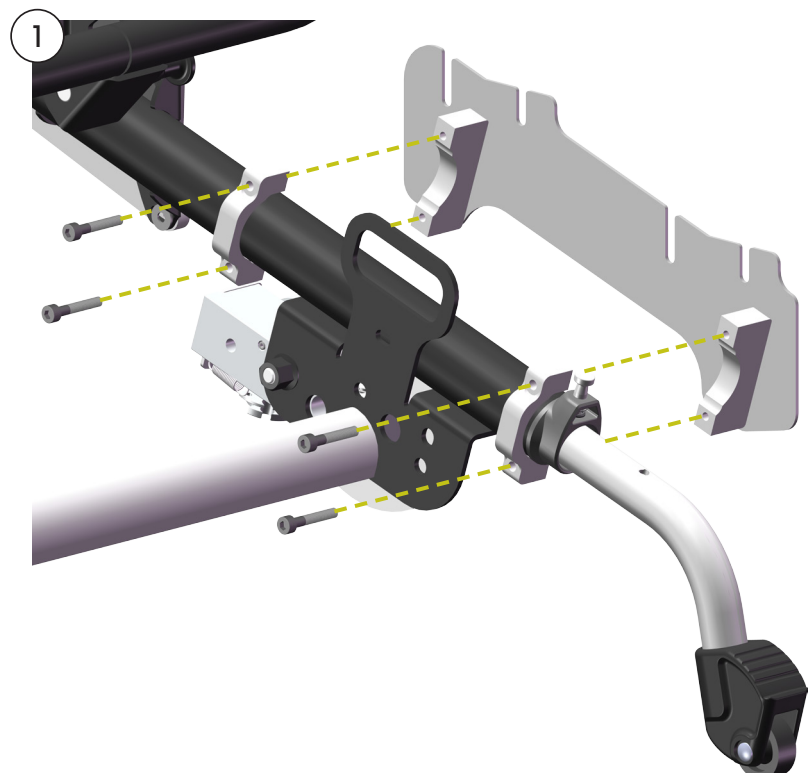
Assembly

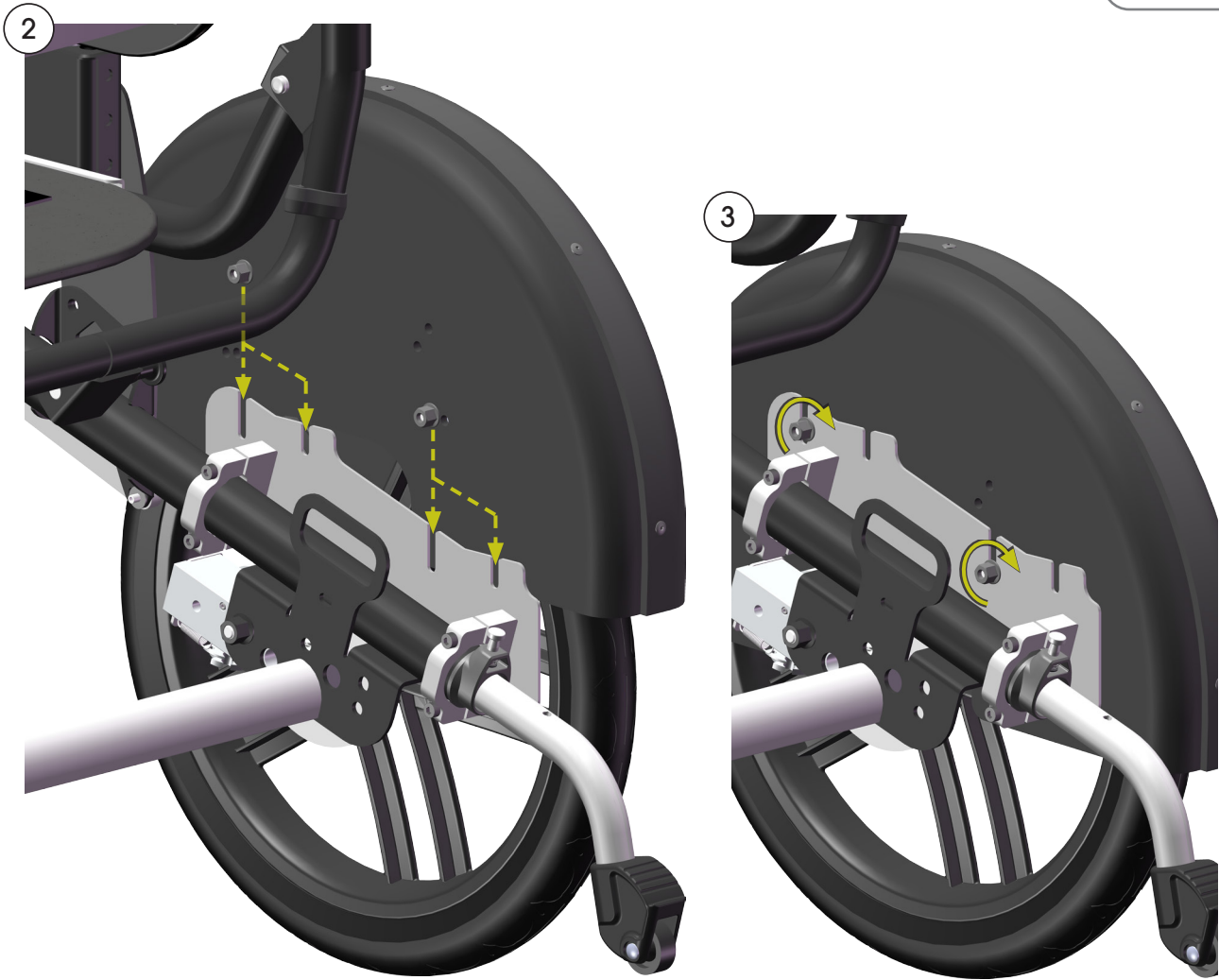
- 1 Remove the drive wheel.

Screw the bracket in place on the wheel frame tube. Make sure it is straight up and down.

Note that the lower clamp is placed at the end of the tube.

Note: The screws should be tightened securely but not excessively. Check that the bracket cannot turn on the tube.





- ② Re-mount the drive wheel.
Fit the wheel cover on to the bracket. Note that there are 2 positions on the bracket, to correspond with the 2 drive wheel positions.
- ③ Tighten the nuts on the wheel cover
- ④ Repeat these steps for the other drive wheel.

Use and Care instructions

Always replace damaged parts immediately. For more information see *Maintenance Instructions*, document number 96730-1.