

# Spacers for side supports

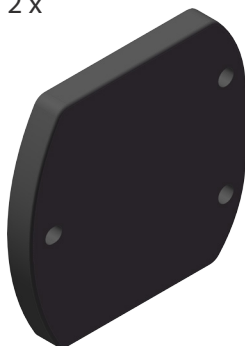
## User manual / Assembly instructions

Page 1 (1)

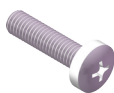
Art. no.: 62458-1

### Parts included

2 x

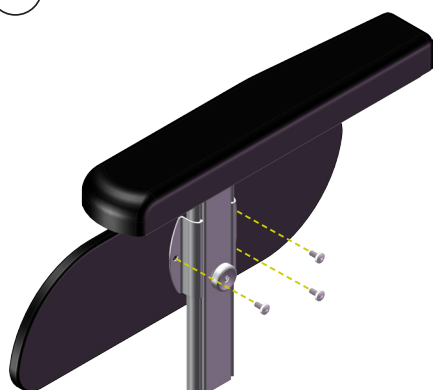


6 x (MRX M5 x 20)

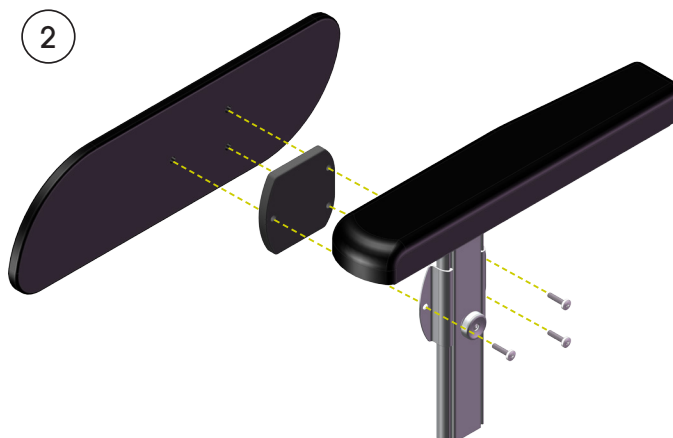


### Assembly

①



②



1. Remove the 3 screws that hold the side support in place.

2. Attach the spacer between the side support and the armrest post. Use the longer screws which are included in the spacer kit.

Repeat these steps for the other side support.

### Care Instructions

The side support spacers can be cleaned by wiping with soap and water. See the Maintenance Instructions, art. no. 95730-1. Always replace damaged parts immediately.