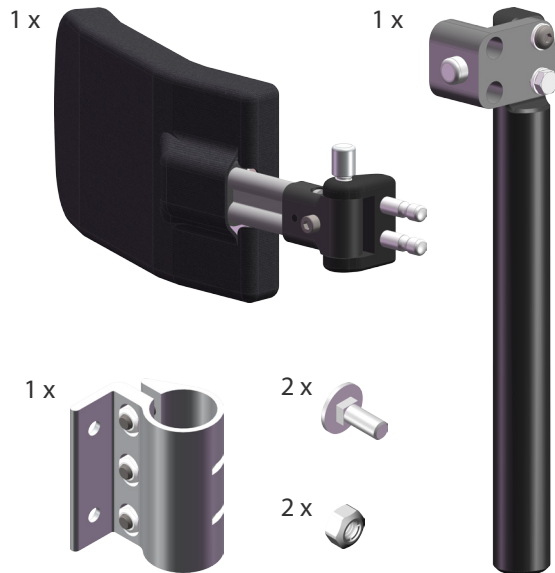
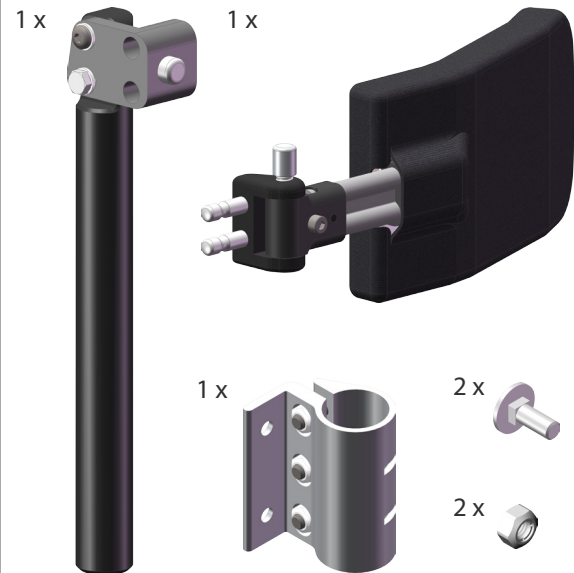


## Parts included

### Left-hand version

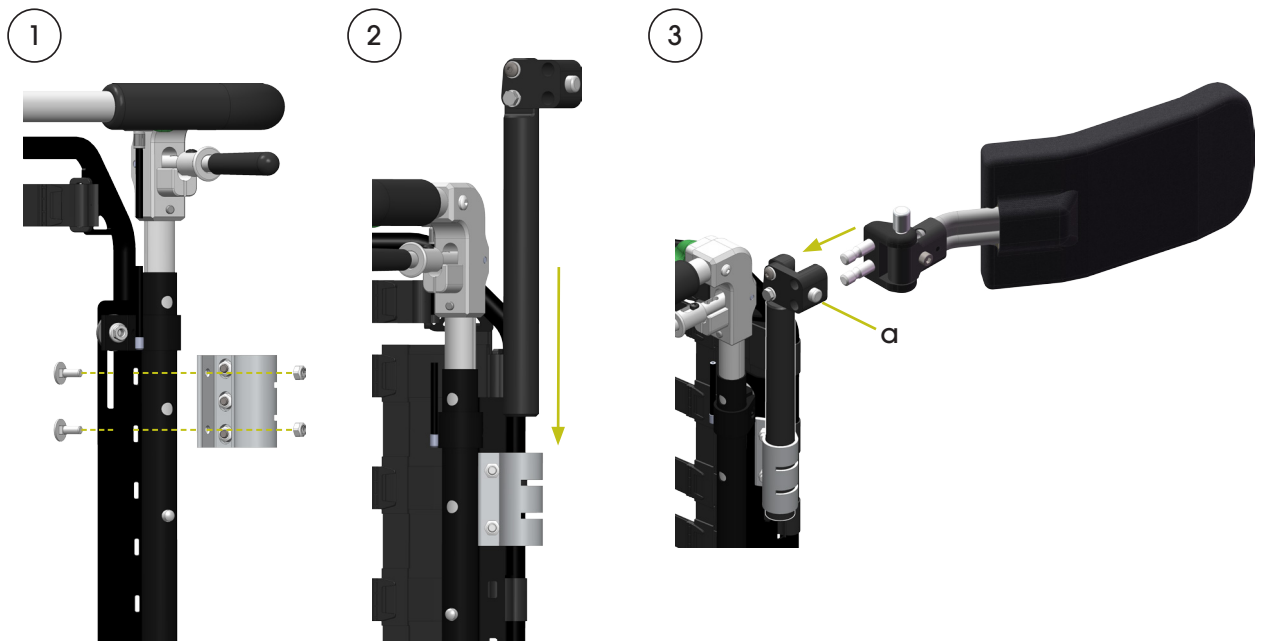


### Right-hand version



## Assembly

The shoulder support is mounted as follows. **Note:** Pictures here show the right-hand version.

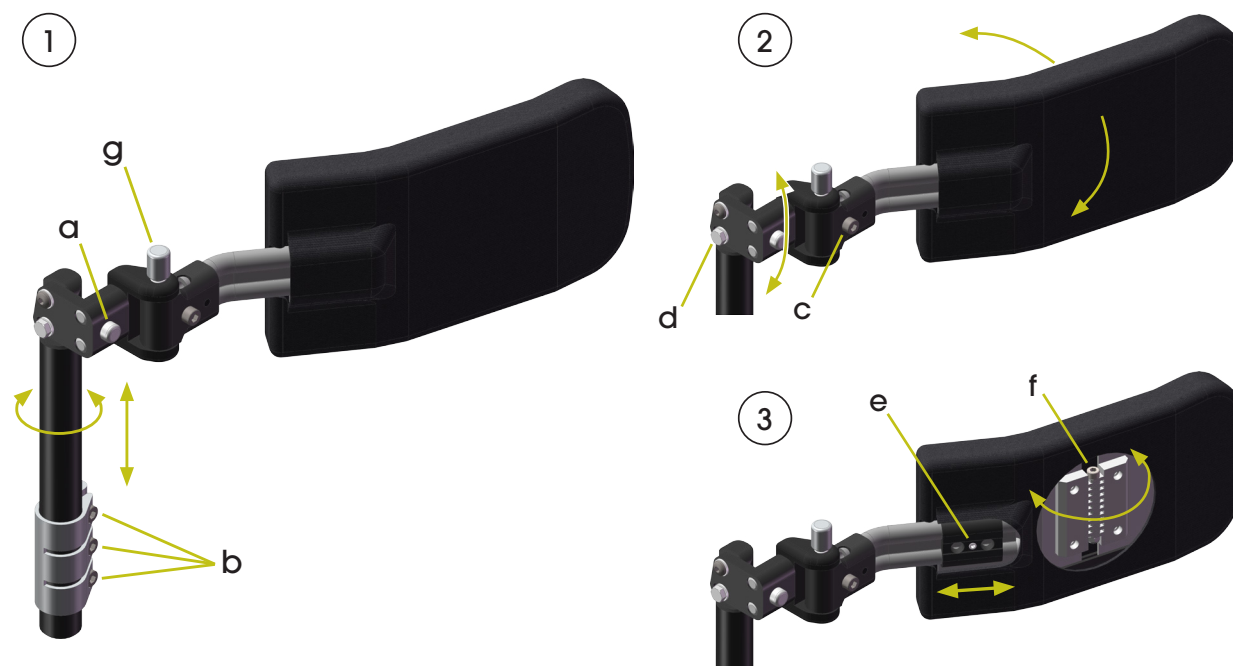


1. The back frame bracket is attached through the top two holes of the backrest system. It may be necessary to temporarily move the backrest system downward to do the assembly. Screw the back frame bracket in place using the included nuts and bolts.
2. Fit the shoulder support mount in to the back frame bracket.
3. Push the button (a) and fit the shoulder support into the mount, then release the button.

## Adjustment of position

To be done by a duly qualified person.

**NOTE:** Begin by setting the starting position of the swing-away mechanism. The mounting pins should be approximately parallel with the straight portion of the bracket. Loosen screw (c), adjust the position, then tighten the screw again.



1.
  - Adjust the shoulder support mount up or down in the back frame bracket to set the height.
  - Turn the post of the shoulder support mount until the desired position is reached.
  - Tighten the screws of the back frame bracket (b).
2.
  - Check that the supports swing-away function is in a fixed position. Then loosen screw (c) slightly.
  - Also loosen bolt (d) slightly.
  - Turn the support inwards and adjust the angle to the desired position against the user's arm.
  - Tighten the screw (c) firmly to lock the shoulder support in position.
  - Tighten the bolt (d) to fix the shoulder support angle.
3.
  - The depth of the support can also be adjusted. This is done with a set screw (e) under the cover.
  - The curvature of the cushion can also be formed. This is done with a screw (f) under the cover.

## Use

Use the button (g) to unlock and swing away the support when necessary.

**Note:** The support should be relieved of pressure to make it easy to push the button.

Use the button (a) to remove the shoulder support completely.

## Care instructions

Hard surfaces should be wiped clean with mild cleaner and water as needed. The cover can be washed per the instructions which are sewn in.