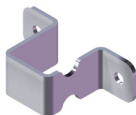


**Parts included**

1 x



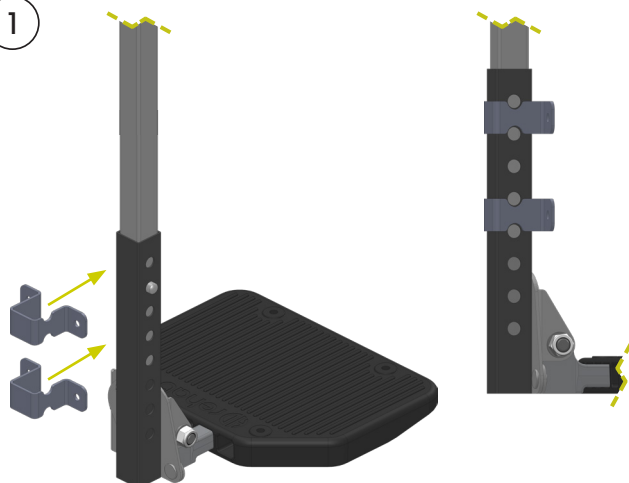
2 x



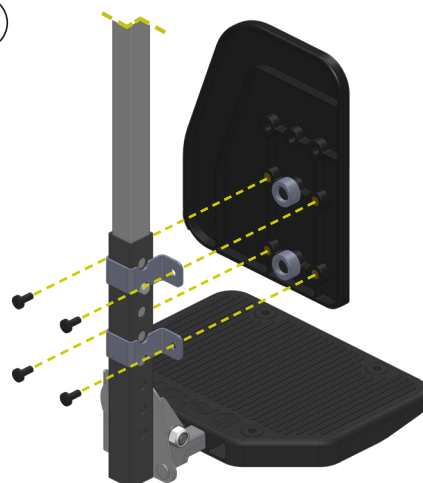
4 x (MRX M5 x 12)


**Assembly**

①



②



1. Push the upper and lower mounting brackets on to the footplate holder. **Note:** The top bracket is placed between the 1st and 2nd holes on the tube and the lower bracket between the 4th and 5th holes.
2. Fasten the footrest side in place with 4 screws.

**Care Instructions**

The footrest side can be cleaned by wiping with soap and water. See *Maintenance Instructions*, document number 95730-1. Always replace damaged parts immediately.