

Adapter, moved forward seat

User manual / Assembly instructions

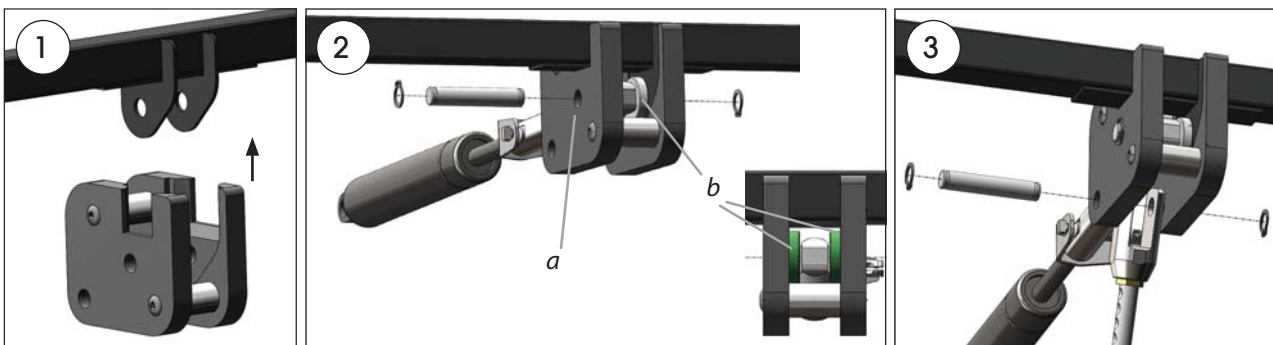
Page 1 (1)

Parts included:



Assembling

Instructions on how to change the tilt plates is found in document 95720-1, Technical Information, section 2.4. Follow the instructions until the tilt lock is remounted. Thereafter mount the adapter according to the following:



1. First remove the gas spring and the tilt bar from the attachment point at the seat frame. Then attach the adapter according to the picture. The screws may need to be loosened a little if the adapter is too tight to get onto the frame.
2. Fix the gas spring in the front hole (a). Use one of the pins, two circlips and the spacers (b), according to the picture. Then tighten the screws of the adapter. Always handle circlips with care and replace damaged ones immediately.
3. Attach the tilt bar to the rear hole with the remaining pin and circlips. Always handle circlips with care and replace damaged ones immediately.
4. Continue according to the instructions in document 95720-1, section 2.4.