

# IV Pole with mounting bracket for HD Balance and HD500, 600, & 650

## User Manual / Assembly Instructions

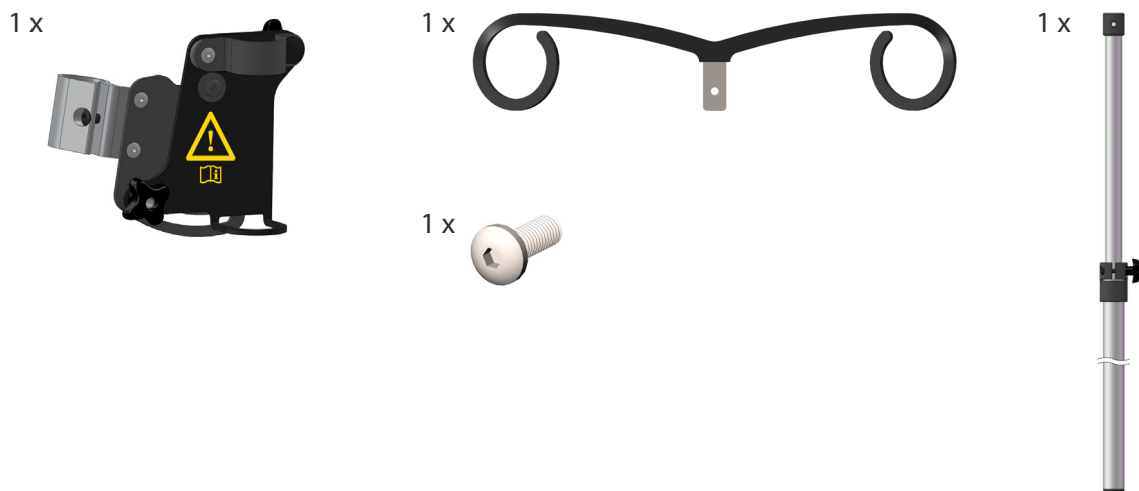
Art. no: 69750-1, 69750-2, 69760, 69760-1, 69760-2

Page 1 (2)

### Intended use

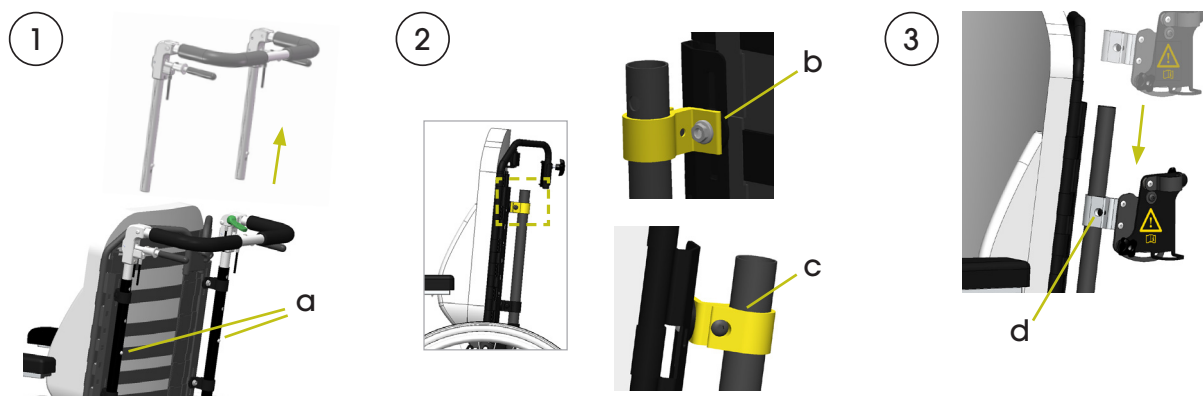
The IV pole and mounting bracket are intended to be used with HD Balance, HD500, 600, and 650. Using an IV pole with the wheelchair can make it easier for the user to be more mobile for certain types of treatments or examinations.

### Parts included



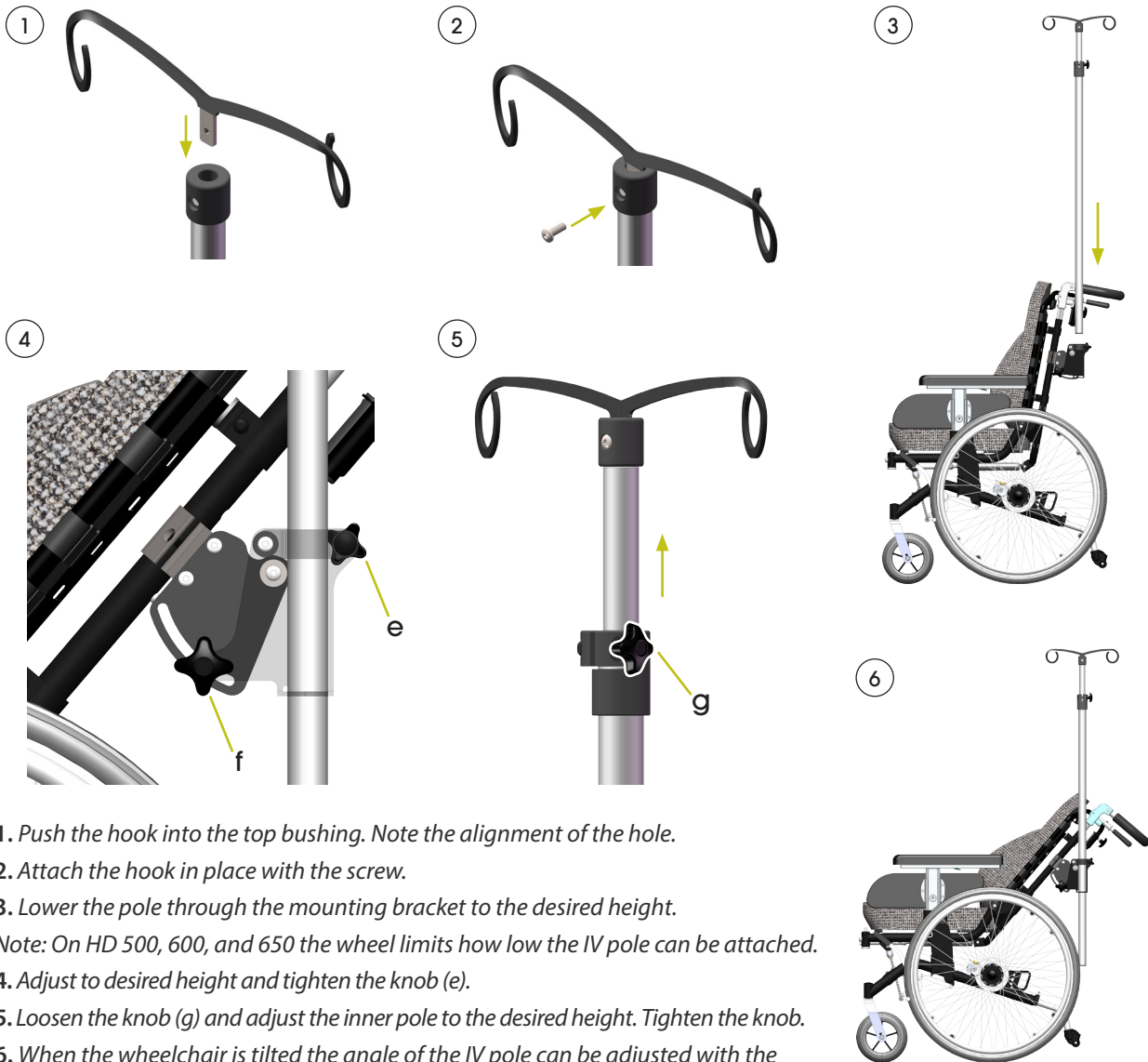
### Assembly of Mounting bracket

The IV pole mounting bracket is attached to the back frame tube as follows:



1. Remove the push bar by pushing the snap locks (a) and pull the bar upwards. **Be careful with the wires.**
2. Remove the upper back clamp (marked yellow) by unscrewing the bolt (b) and the screw (c). Then pull the clamp carefully upwards off the tube. Note that the IV pole bracket comes in left-hand and right-hand versions. Be sure to remove the correct corresponding clamp.
3. Mount the IV pole bracket carefully on the back tube and tighten the screw (d) when it is positioned between the two lower holes for the push bar snap lock.
4. Replace the back clamp and both screws.
5. Replace the push bar. **Be careful with the wires.**

## Assembly of IV Pole



1. Push the hook into the top bushing. Note the alignment of the hole.
2. Attach the hook in place with the screw.
3. Lower the pole through the mounting bracket to the desired height.  
Note: On HD 500, 600, and 650 the wheel limits how low the IV pole can be attached.
4. Adjust to desired height and tighten the knob (e).
5. Loosen the knob (g) and adjust the inner pole to the desired height. Tighten the knob.
6. When the wheelchair is tilted the angle of the IV pole can be adjusted with the front knob (f, seen in step 4) to keep it vertical.

## Use and Care instructions

- Make sure that problems or risks do not occur when the wheelchair adjustments are used. The IV pole entails increased risk of tipping, especially in a tilted position with heavy drip bags. Attention must be paid.
- Make sure the knobs are tightened before use, otherwise the IV pole can fall forward or backward.
- Always keep the IV pole as vertical as possible. Use the front knob (f) to adjust the angle.
- Always use antitip protections.
- The IV pole bracket should not be used together with the Bag Hook accessory.
- Maximum total weight for the IV pole together with drip bags is 6 kg.