

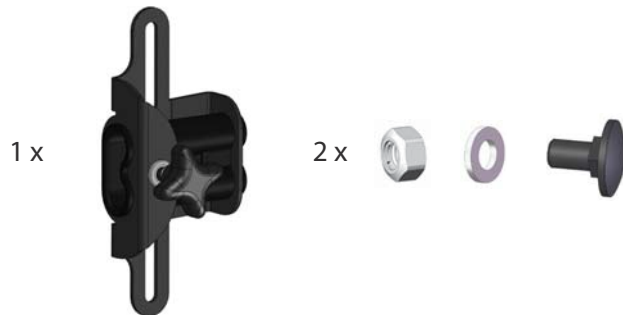
Thorasic support mount HD Balance

Art. no.: 69351

User manual / Assembly instructions

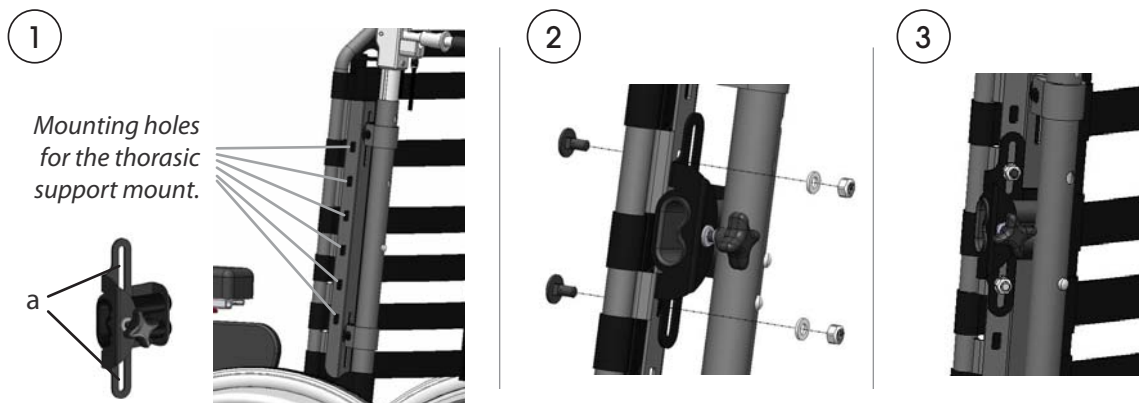
Page 1 (1)

Parts included:



Assembling

The mounts for the thorasic supports are mounted on the back of the backrest system. They can be placed in different height positions.



1. Position the mount so that the slots (a) correspond to two of the mounting holes on the backrest system. Make sure that the correct height for the support is achieved by choosing suitable holes.

2. Fix the mount according to the picture with the screws and nuts included. Wrench 10mm needed.

3. Finished! Small adjustment of the height can be made by loosening the screws a little and then move the mount along the slot. Tighten the screws afterwards.