

Belt fastenings, HD Balance

User manual / Assembly instructions

Page 1 (1)

Art. no.: 69710

Parts included:



Assembling

Belt mounts can be positioned along the side bar of the seat frame on each side of the wheelchair. See diagram 1 & 2.

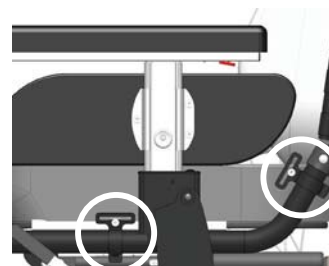
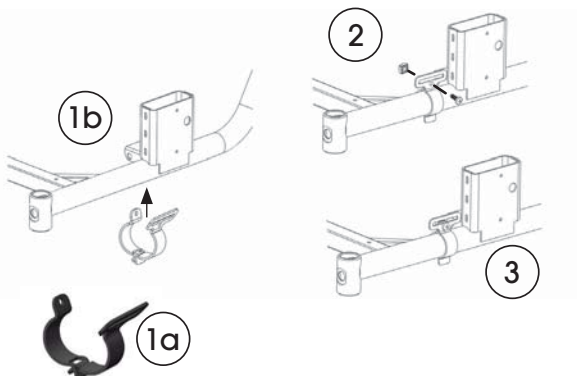


Diagram 1. To fit the fastening:

1. Attach the two sheet metal parts to each other according to 1a. Then place them at the desired position along the side bar (1b).
2. Secure the fastening with the screw and nut that are included in the package. Tighten the screw securely.
3. Finished! If adjustment along the side bar is needed, just loose the screw and move the fastening.

NB! There is a risk for paint scratches if you move the fastening when the screw is not loose enough. Be careful!

Diagram 2. Positioning examples of the belt fastenings.