

## Labeling

The following labels are to be found on an HD Balance wheelchair in its standard configuration.

### Note:

\* = Headings marked with an asterisk indicate that this / these labels are required for the CE marking to be valid. (For special designs and accessories this applies only if the wheelchair is equipped with that design or accessory.)

### IDENTIFICATION AND CE-MARKING\*

CE label (87218) and ID label (87219) must be placed on the front of the front cross bar of the wheel frame (figure 1).

87218.



87219.

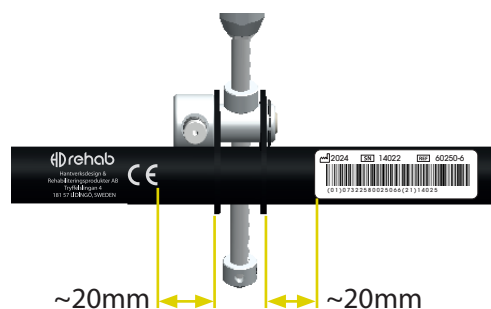
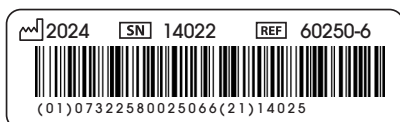


Figure 1.

### MODEL NAME\*

Model label (87230-1, -2, -3, -4 & 87231-1, -2, -3, -4) must be placed on the rear cross bar of the wheel frame according to figure 2.

87230-1.	balance	24 < 38 >
87230-2.	balance	24 < 42 >
87230-3.	balance	24 < 46 >
87230-4.	balance	24 < 50 >
87231-1.	balance	16 < 38 >
87231-2.	balance	16 < 42 >
87231-3.	balance	16 < 46 >
87231-4.	balance	16 < 50 >

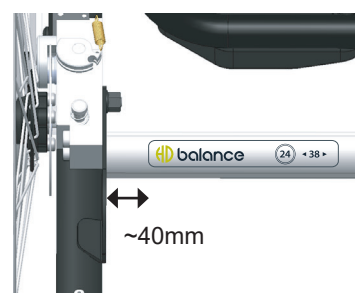


Figure 2.

### MAX USER WEIGHT\*

User weight label (87217) must be placed on the right lateral tube of the seat frame at the position where the reinforcing plate is welded (figure 3).

87217.

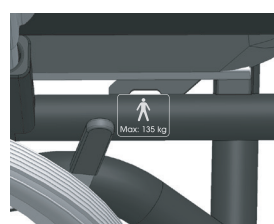
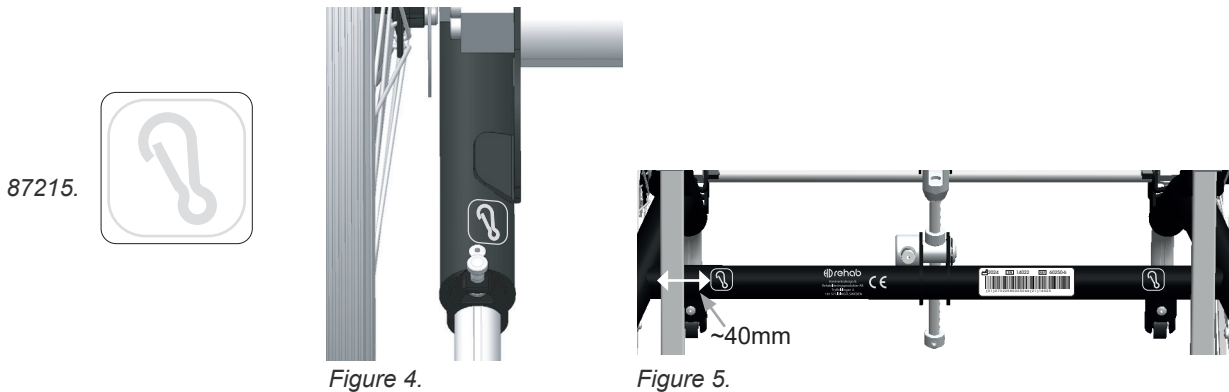


Figure 3.

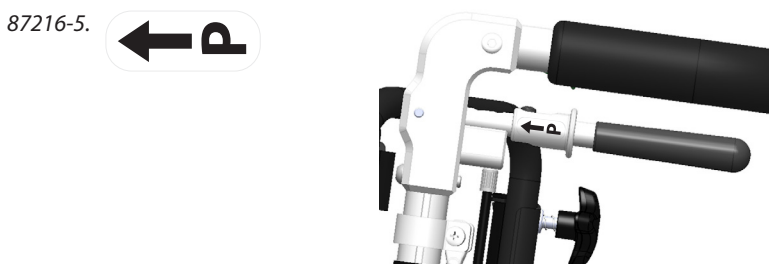
TRANSPORT BRACKETS\*

Label 87215 must be placed according to figures 4 and 5 on both sides of the wheelchair, in total four labels.



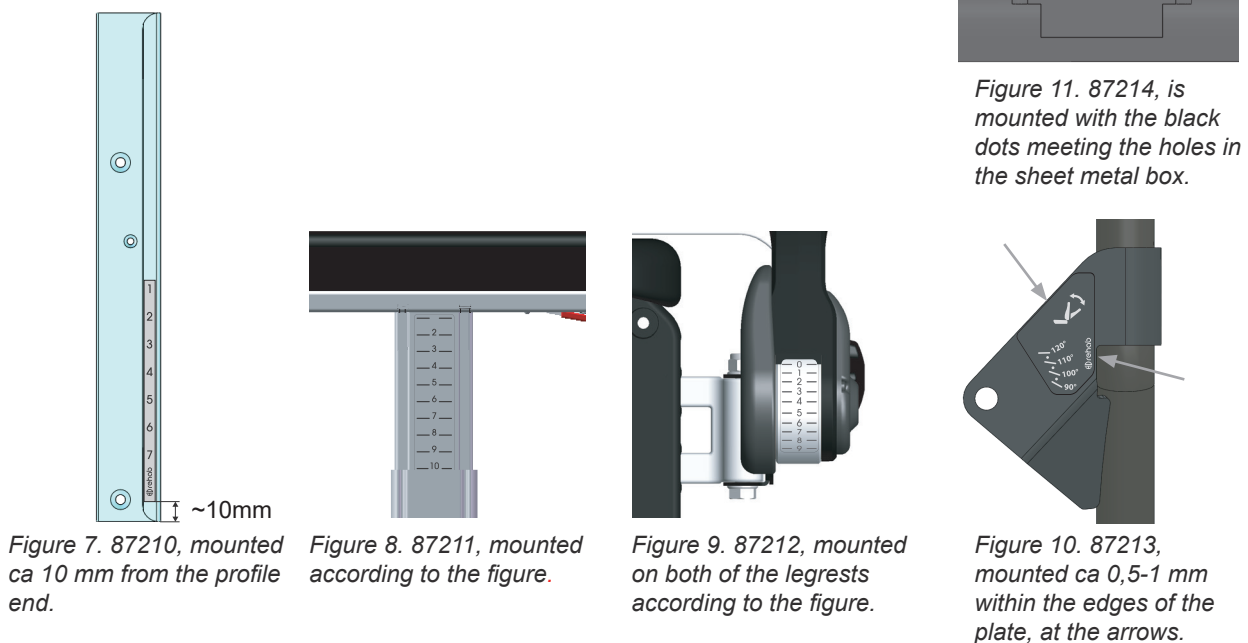
LABELING OF PARKING BRAKE

Label 87216-5 is placed according to figure 6 on the outside of both brake levers. Note that the arrow must be pointing forward.



SCALE LABELS

Labels 87210, 87211, 87212, 87213, 87214 are placed per figures 7 to 11.



**LABELING OF BACK RECLINE AND SEAT TILT CONTROLS**

Labels 87221 and 87222 are placed according to figure 12.



Figure 12. 87228 (back recline) and 87227 (seat tilt) are placed on the flat surfaces according to the picture.

**WARNING LABEL OF ANTI-TIP DEVICE**

Label 87226 must be placed on both anti-tip devices according to figures 13 & 14.



Figure 13.



Figure 14.

**LABELING OF SPECIAL DESIGNS AND CERTAIN ACCESSORIES:**

**LABELING OF TILT PLATES OF ALTERNATIVE DESIGN\***

Label 87224 must be placed on the outside of the plate according to figure SPEC1.

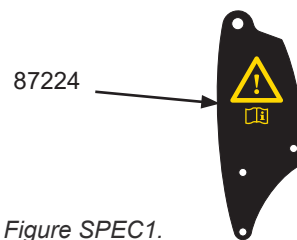
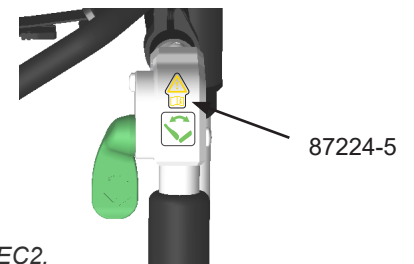


Figure SPEC1.

**LABELING OF INCREASED SEAT TILT\***

Label 87224-5 must be placed in front of the tilt label, according to figure SPEC2.



Figur SPEC2.

**LABELING OF STRENGTHENED WHEELCHAIRS\***

Label 87224-5 must be placed on one of the strengthening plates on the wheelframe, according to figure SPEC3.



Figure SPEC3

**LABELING OF MOUNT FOR IV POLE\***

Label 87224 must be placed according to figure SPEC4.



Figure SPEC4

**LABELING OF ACTUATOR FOR SEAT TILT\***

Label 87224-5 must be placed according to figure SPEC5.

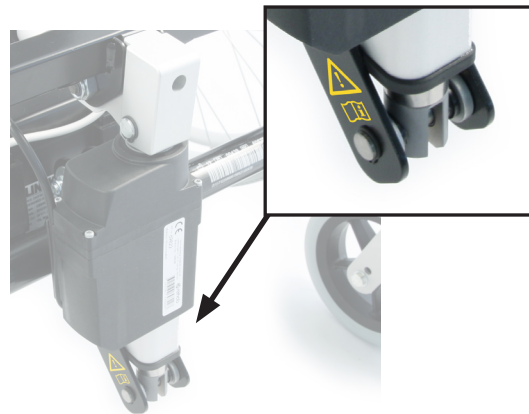


Figure SPEC5

**LABELING OF ACTUATOR FOR BACK RECLINE\***

Label 87224-5 must be placed according to figure SPEC6.

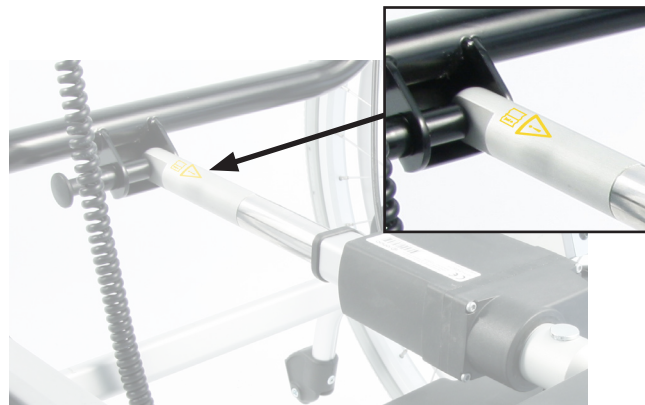


Figure SPEC6

**LABELING OF RELEASABLE KNEE JOINT**

Labels 87225-1 (left) / 87225-2 (right) are placed according to figure SPEC7.



Figure SPEC7

**LABELING OF EXTENSION BAR FOR HARNESS BRACKET**

Label 87210 is placed according to figure SPEC8.

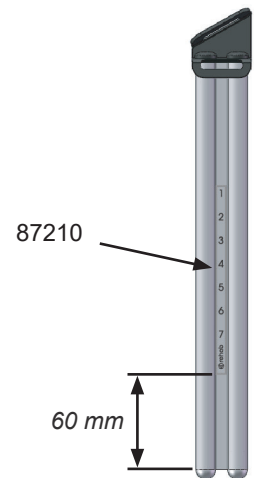


Figure SPEC8

**LABELING OF HEADREST AND NECKREST**

Label 87223 must be placed according to figure SPEC9. The upper part of the plate has a bent edge which is noticeable if pressing with the hand through the padding.

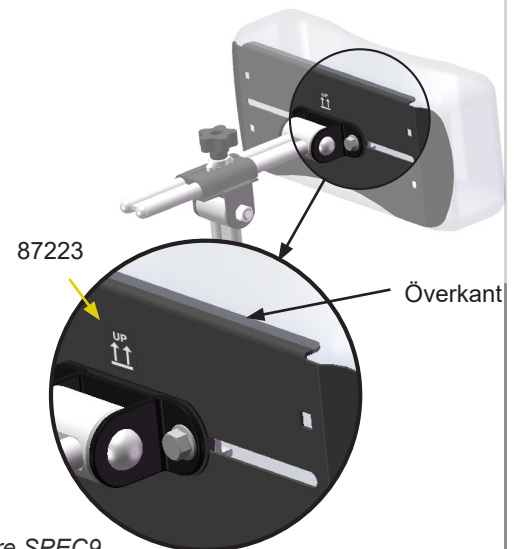


Figure SPEC9

**LABELING OF BACK SPACERS\***

Label 87224-5 must be placed according to figure SPEC10.



Figure SPEC10