

Shorter distance sleeves for hand rims.

Art. no.: 69351

User manual / Assembly instructions

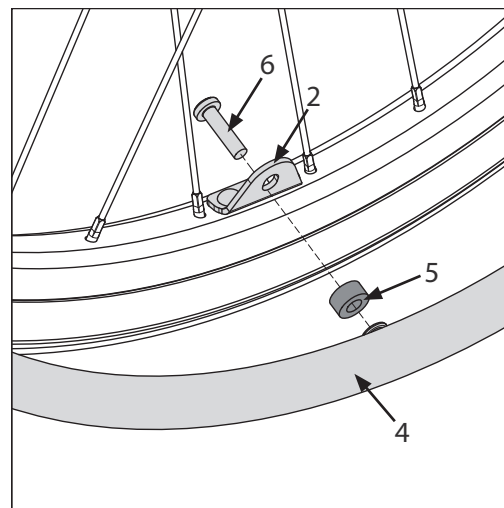
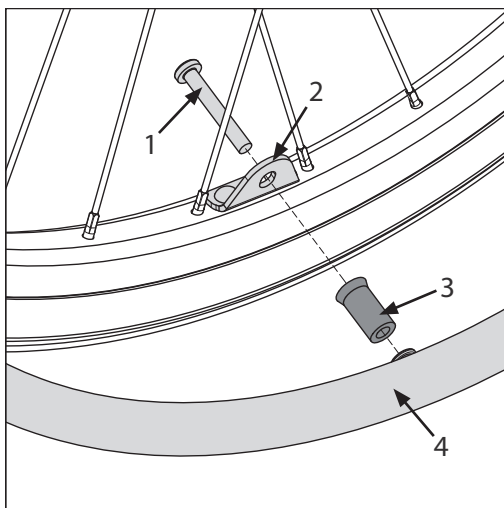
Page 1 (1)

Parts included:



Assembling

The hand rims can be moved closer to the wheels for a reduced total width in cases when the user is unable to use them.



1. To move the hand rim (4) closer to the wheel, undo the four screws (1) and remove the hand rim.
2. Change the long distance sleeves (3) and screws (1) to the shorter ones (5 & 6) and screw the hand rim back in position.

NB! The hand rims can vary slightly in size which might cause problems to fit it to the mounting holes (2). Therefore, make sure all screws are positioned before fastening them.

It is not allowed to use the wheels without hand rims!