

ASSEMBLY INSTRUCTION



COVER FOR PUSH BAR Art.no: 13710

The covers are fitted on the pushbar as shown in figure 1. Before assembling, the push bar has to be removed from the wheelchair.

Assembly:

1. Undo and remove the screws (1). See figure 1 and 2.
2. Pull out the pushbar (2) from the frame according to the arrows in figure 2.
3. Use mild soap solution to wet the inside of the covers (3) and slip them on the pushbar (2) as shown in figure 3.

N.B! It takes a couple of hours, or up to one day, until the covers are completely dry and firmly attached.

4. Reattach the pushbar (2) to the frame by pushing it in place and fasten the screws (1) according to figure 4.

NB! Be careful when fastening the screws since the aluminium threads are fragile.

5. Check that the push bar is properly attached before using the wheelchair.

The kit includes:

(1 and 2 are existing parts on the wheelchair)

3. COVER FOR PUSHBAR 2 PCS.

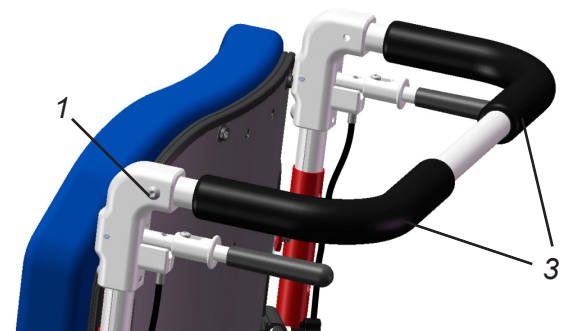


Figure 1

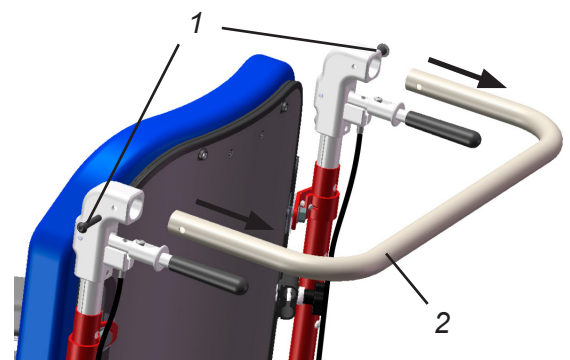


Figure 2

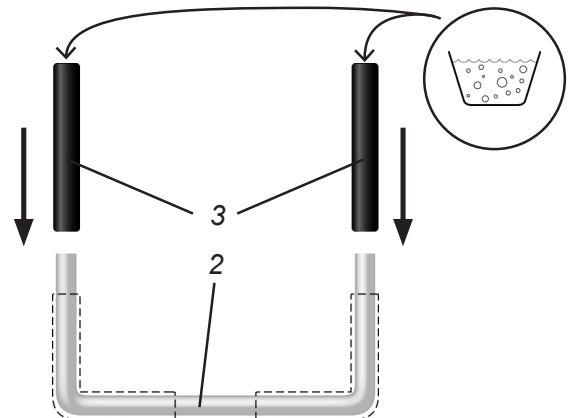


Figure 3

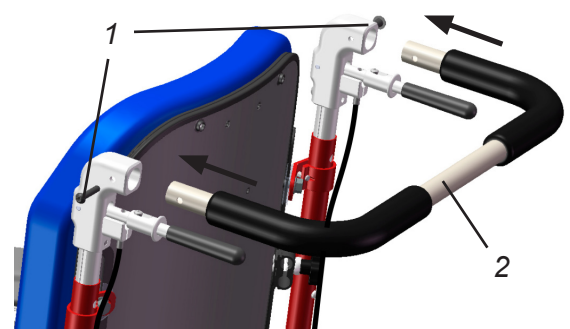


Figure 4