

ASSEMBLY INSTRUCTIONS



Hemiplegic armrests

Art. No. 13 301 (without side panel)

13 303 (left)

13 304 (right)

The armrest is designed to be fitted on HD wheelchairs, models 500, 600 and 650, as an alternative to standard armrests.

Versions for the right and left sides are available, and they come complete with side panels.

NB! The side panel unit is not the same as for the standard armrests. The side panel plate on the hemiplegic armrest extends further down towards the seat cushion to ensure that the lowest height of the armrest does not become unnecessarily high.

N.B! The armrest must not be subject to loads or strain and must not be used as support when the user transfers to or from the wheelchair.

Positioning:

Attach the armrest to the wheelchair in the same way as used for the standard armrests, to the fastening bar on the side of the seat frame; see Figure 2.

The hemiplegic armrest is height-adjustable.

The side bar (1) includes small recesses. The thrust washer/locking washer behind the knob (2) has two rounded pins that fit into these recesses. The washer is also spring-loaded.

When the knob (2) has been loosened slightly, it is easy to feel when the thrust washer/locking washer is in the right position when the armrest is moved upwards or downwards in the side panel attachment (3).

Tightening the knob slightly (applying little force), secures the armrest bar in a stable position.

The height can thereby be adjusted by 8 cm, in intervals of 2 cm.

FOR 13 301 (without side panel) a height adjustment sleeve (8) is attached on the side bar for this purpose. (Figure 6)



Figure 1



Figure 2

N.B!

The armrest must not be adjusted higher than 8 cm from bottom position.

See Page 2 for more information.



The hemiplegic armrest is steplessly adjustable to provide maximum inward or outward rotation.

The armrest can be rotated to a suitably pressure-relieving rest position for the arm/shoulder.

Secure the position using the knob (4) under the armrest. See Figure 3. Pull the knob (spring loaded) and rotate it to get it in a better position.

When assembling the armrest, make sure that the side bar (1) connects properly to the armrest socket. The screw (4) should fit in the groove (6) in the upper part of the side bar and lock it. See figure 3 and 4.

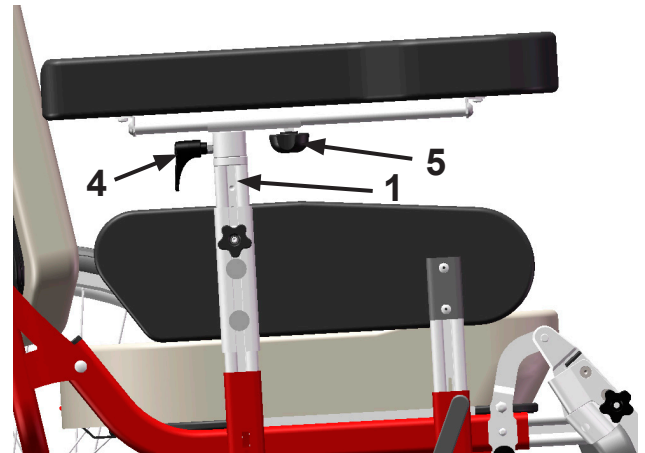


Figure 3

The hemiplegic armrest is steplessly depth-adjustable; 10 cm backwards and 12 cm forwards.

Push the armrest forward or backward along the rail under the armrest to obtain a suitably pressure-relieving rest position for the arm/shoulder.

Secure the position using the screw (5) under the armrest. See Figures 3 and 5.

The hemiplegic armrest is width-adjustable and can be moved further away from or closer to the user's body.

The armrest is fitted in the central position on delivery, and can be moved:

- from the central position 2 cm further away from the user
- from the central position 2 cm closer to the user

Adjust the position when fitting the armrest by moving the screws (7) in the fastening under the armrest to the outer or inner position. N.B! After fitting the armrest, check that the screws are correctly positioned and securely tightened. See figure 5.

Maintenance:

Wipe the cover with a damp cloth or remove and machine-wash it.

See the washing instructions in the cover.

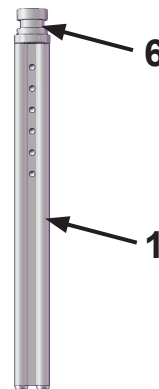


Figure 4

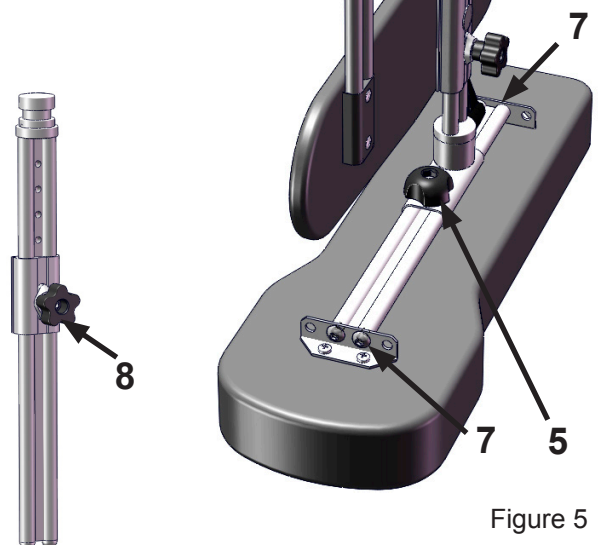


Figure 5

Figure 6