

ASSEMBLY INSTRUCTIONS

BACK FRAME FLEXI with a removable cushion

Version: S/W 45 alt. S/W 38

The HD Flexi backrest system is designed for use as an alternative backrest system on HD wheelchairs.

The backrest system consists of a back frame with straps and a specially adapted back cushion that is attached using Velcro strips. It can be fitted to back frames with adjustable back plate brackets; see 5, Figure 2.

Fitting the Flexi system to existing HD wheelchairs with a standard backrest:

A: Remove the back plate.

1. First loosen the head support fastening from the back plate (1) by unscrewing and removing the screws (3), see Figure 2. The wire control unit can remain on the head support fastening, but make sure that the wires do not become damaged.

2. Remove the back plate by unscrewing and removing the screws (2).

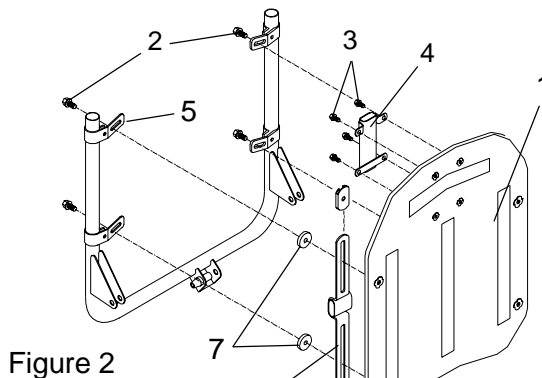


Figure 2

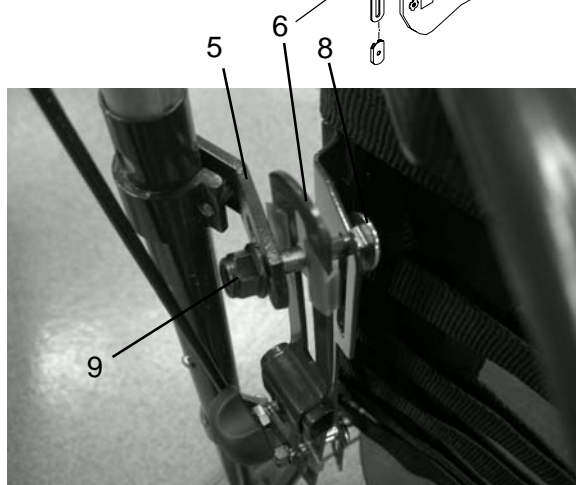


Figure 3



<u>Art.No.</u>	<u>Name</u>
19211	BACK FRAME FLEXI S/W 45 Includes:
11860-1	BACK FRAME FLEXI
12235	BACK CUSHION
19221	BACK FRAME FLEXI S/W 38 Includes:
21860-1	BACK FRAME FLEXI
22235	BACK CUSHION



Figure 1

B: Fit the Flexi backrest system:

3. NB! The Flexi back frame is designed to be fitted onto back frames with screwed-on back plate brackets; see 5, Figure 2.

4. Secure the Flexi frame using the four screws (8), Figure 3, from the front of the frame through the vertical grooves on the frame and through the grooves on the fastening brackets of the back frame (5).

NB! The thoracic (trunk) support fastenings (6) must be positioned between the Flexi frame and the fastening brackets of the back frame as shown in Figure 3. If no thoracic support fastenings are used, use the four washers (7) included instead.

5. Attach the locking nuts (9), Figure 3; fit all four nuts before tightening them.

Make sure that the screws (8) are positioned correctly in the groove on the Flexi frame.

Continued:

6. Secure the head support fastening as shown in Figures 4 and 5 using the accompanying screws (10) and nuts (11).

7. Fit the wire holder (12) to the back frame as shown in Figure 6 and press the wires to secure them to the control unit. NB! Check that the wires are inside of (in front of) the backrest bar, see X in Figure 6.

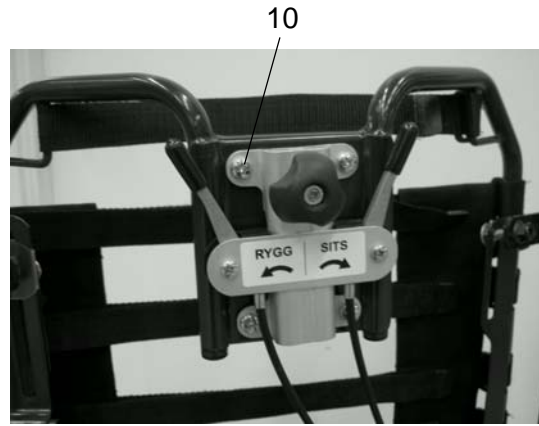


Figure 4

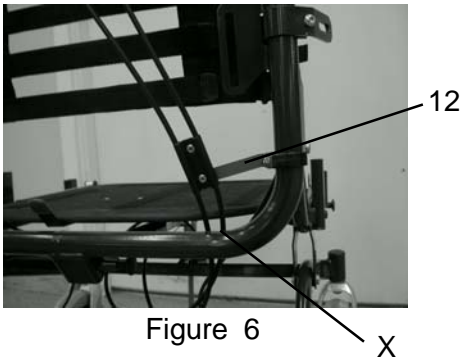


Figure 6

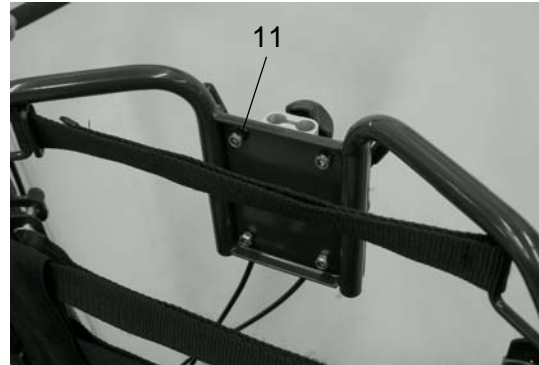


Figure 5

BACK CUSHION:

The back cushion, see Figure 8, is placed on the frame and is held in place using Velcro strips.

To obtain the correct height, place the cushion so that the strips with the poppers (13) in Figure 9 are above the top strap (14) on the Flexi frame. Ensure that the strap is tensioned and secure it using the popper.



Figure 8

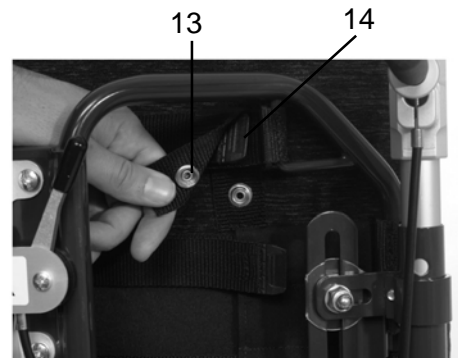


Figure 9