

## ASSEMBLY INSTRUCTIONS

**Fastenings type 13520 are designed to be fitted on HD Wheel-chairs and used together with belt type 2, art.no. 13501.**

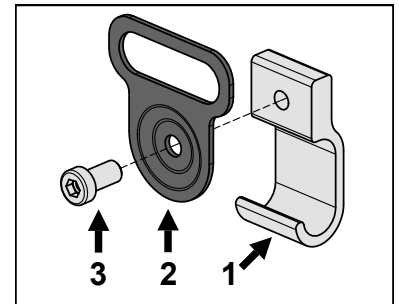
Fit them as follows:

- Place the fastening (1) on the side bar of the seat frame, as shown below. (The fastening should be about 2 cm from the guiding plate of the back frame, see figure below.)

**PLEASE NOTE! Ensure that the brake wire that runs alongside the bar does not risk becoming trapped and damaged.**

- Secure the washer (2) in place using the screw (3), as shown in figure below. (Use an Allen key, size 5 or 6 mm may occur.)  
- Tighten the screw securely.

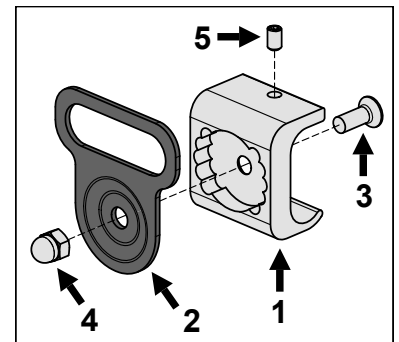
By tightening the screw, the fastening is secured on the seat frame and the position of the washer is secured. Secure the washer into place at a suitable angle, see figure below. **Check the side panel to ensure that the rear edge of the side panel does not touch the fastening washer.** If necessary, you can bend the washer inwards or outwards slightly.



### FASTENING Belt/kit.

**Art.no.13520** Contains the following components:

1. Fastening	2 pcs
2. Washer	2 pcs
3. Screw	2 pcs



### FASTENING Belt/kit.

**Art.no.13525** Pre-assembled.

Contains the following components:

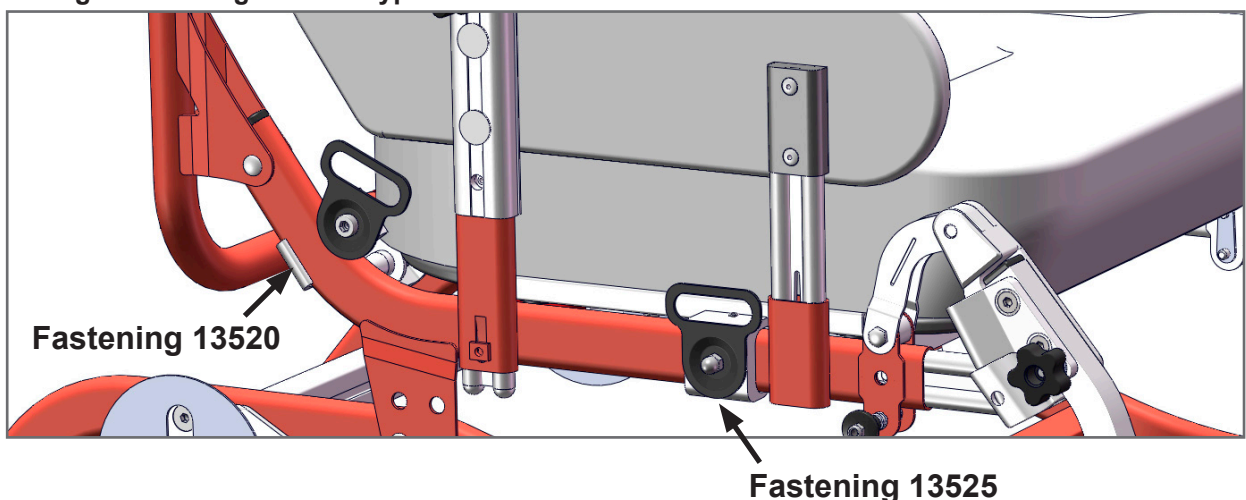
1. Fastening	2 st
2. Washer	2 st
3. Screw	2 st
4. Nut	2 st
5. Locking screw	2 st

**Fastenings type 13525 are designed to be fitted on HD Wheel-chairs and used together with belt 13501 or optional belt.**

Fit them as follows:

- Place the fastening (1) on the side bar of the seat frame, as shown below.  
- Secure the fastening (1) into place using the locking screw (5), as shown in the figure below. (Use an Allen key, size 2.5 mm.)

### Fitting of fastenings for belt type 13520 and 13525



See overleaf for more information.

**Hantverksdesign & Rehab. Prod. AB**

Box 1263  
181 24 Lidingö, Sweden

tel. +46(0)8-7670480  
fax. +46(0)8-7675000

www.hantverksdesign.se  
info@hantverksdesign.se

**BELT with Fastening, standard (kit). Art.no. 13510**  
**BELT with Fastening, front (kit). Art.no. 13511**  
**BELT type 2, divided. Art.no. 13501**



## INSTRUCTION

### for ASSEMBLY and USE

**The belt is designed to be fitted on HD wheelchairs together with the fastening that has art.no. 13520 or 13525.**

Assembly instructions for the fastenings are overleaf.

The belt includes Velcro strips at both ends and a buckle in the centre.

Thread the ends into the holes in the fastenings and press them together.

The belt is adjustable, max length: about 110 cm.

#### **Kit 13510 contains:**

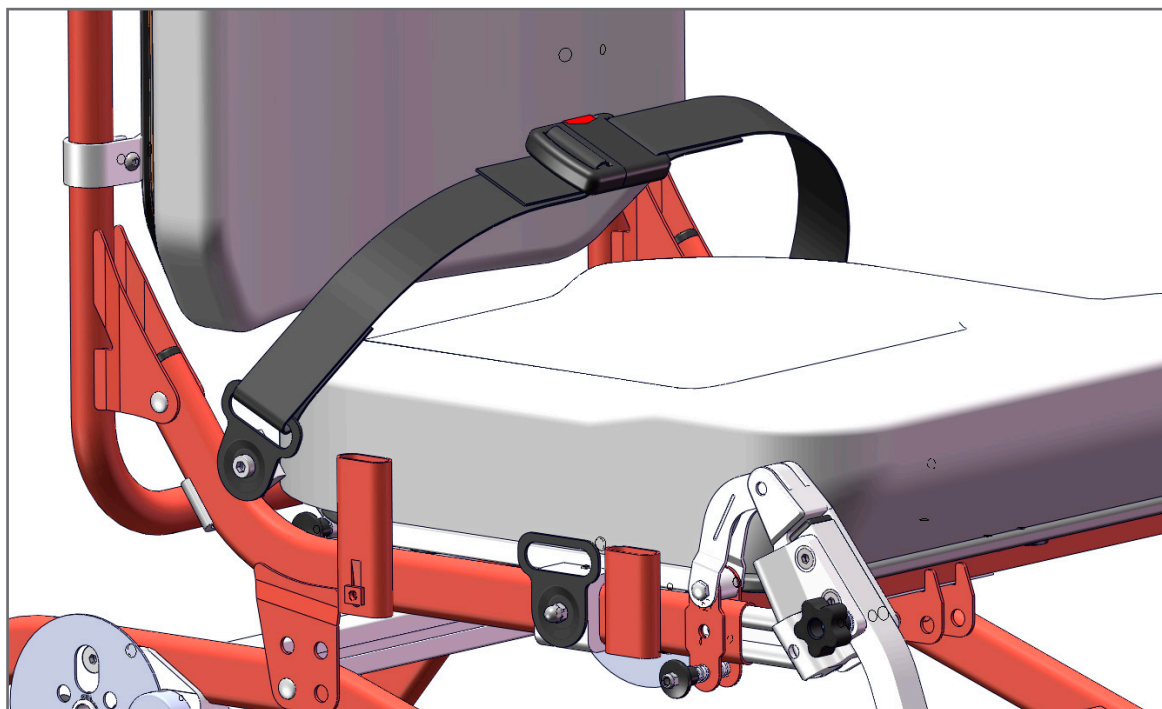
Belt type 2, art.no. 13501 1 pcs  
 Fastening for belt, art.no. 13520 1 kit  
 (see figure below)

#### **Kit 13511 contains:**

Belt type 2, art.no. 13501 1 pcs  
 Fastening for belt, art.no. 13525 1 kit  
 (see figure below)

#### **PLEASE NOTE!**

- The belt is only designed to be used together with the fastening that has art. no. 13520 or 13525.
- The belt must only be used for positioning the user.
- Special restrictions for use of belt may exist.



#### **Hantverksdesign & Rehab. Prod. AB**

Box 1263  
 181 24 Lidingö, Sweden

tel. +46(0)8-7670480  
 fax. +46(0)8-7675000

[www.hantverksdesign.se](http://www.hantverksdesign.se)  
[info@hantverksdesign.se](mailto:info@hantverksdesign.se)