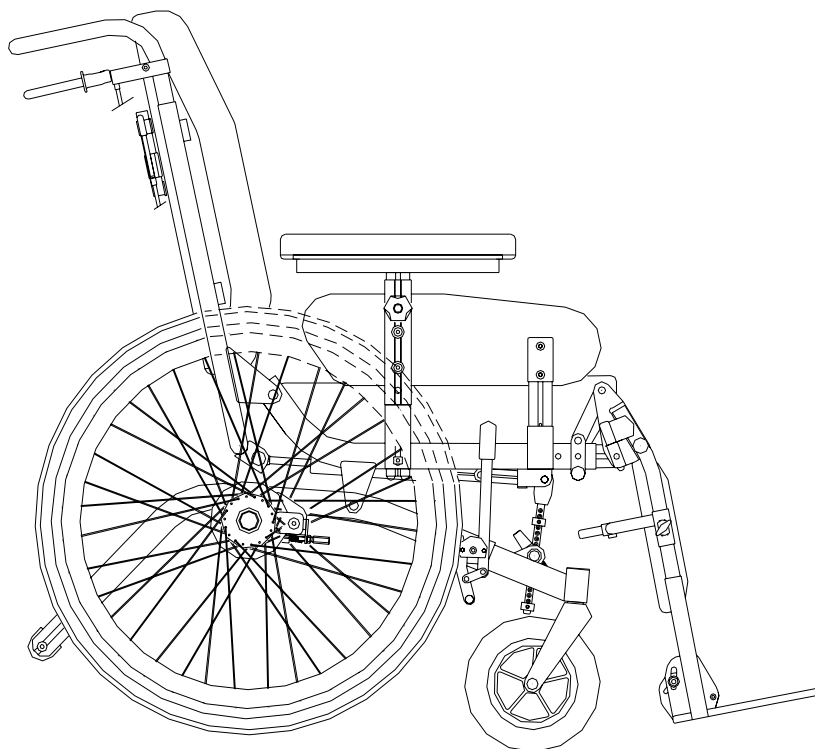




# Tilt in space wheelchairs and accessories



## SPAREPARTS SKETCHES

Art.nr. 95 055-1

Rev. B2

Manufacturer

HANTVERKSDESIGN & Rehab.prod. AB  
Box 1263  
181 24 Lidingö Sweden

Tel. +46 8 767 04 80      Fax +46 8 767 50 00

e-mail [info@hantverksdesign.se](mailto:info@hantverksdesign.se)  
web      [www.hantverksdesign.se](http://www.hantverksdesign.se)

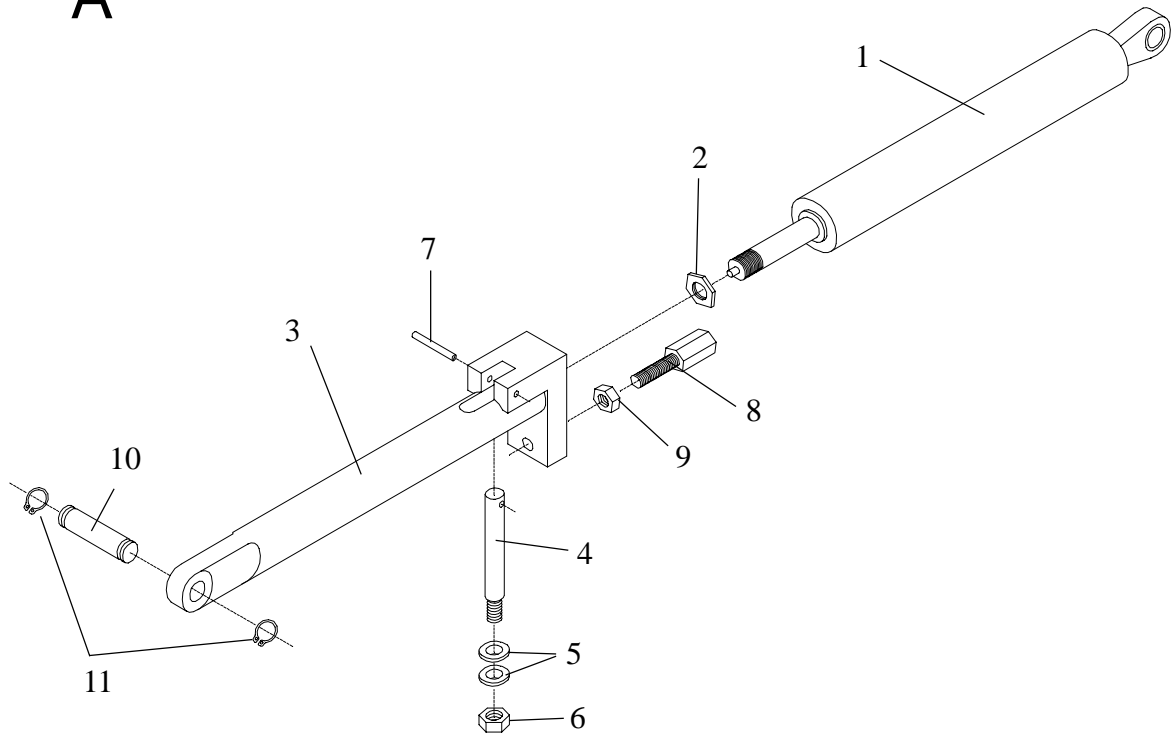
Page	
1.3	Gaspring with holder
1.8	Seat frame cpl. for removable leg support,
1.9	Seat frame cpl. for complete leg support,
2.3	Back frame cpl.
5.2	Wheel frame HD 500
5.3	Wheel frame HD 500 child model
6.2	Wheel frame HD 600
7.2	Wheel frame HD 800
9.2	Wire control unit
10.3	Tilt locking unit
12.6	Armrest
13.2 a	Leg rest removable
13.2 c	Leg rest removable / calf support
13.3 b	Leg rest complete
13.4	Foot rest, separate footplates
13.5	Foot rest, complete footplate
13.6	Footbox
13.8	Amputee leg rest
15.2	Head support
16.1	Pommel
17.1	Thoracic support
17.2	Shoulder support
18.1	Tray
19.1	Wheel 12,5"
19.2	Wheel 24" och 20"
20.1	Wheel and brake unit
23.2	Pushbar with brake handles mod. -02
25.2	Parkingbrake
26.3	Cushions

Pos	Art.no.	Description	Incl.
<b>A</b>			
	11 101	Gas spring ,cpl with holder	1-9
	11 105	Gas spring extended,cpl with holder	1-9
	31 101	Gas spring ,cpl with holder, child mod.	1-9
1	11 160	Gas spring	
	11 165	Gas spring, extended	
3	11 120	Holder cpl , for adult chair	3-9
	31 120	Holder cpl , for child and extended mod.	3-9
5	81 602	Washer	
6	81 522	Locking nut M6	
8	81 391	Adjusting screw M6	
9	81 505	Nut M6	
10	11 039	Pin, gas spring	
11	81 731	Circlips SGA 10	

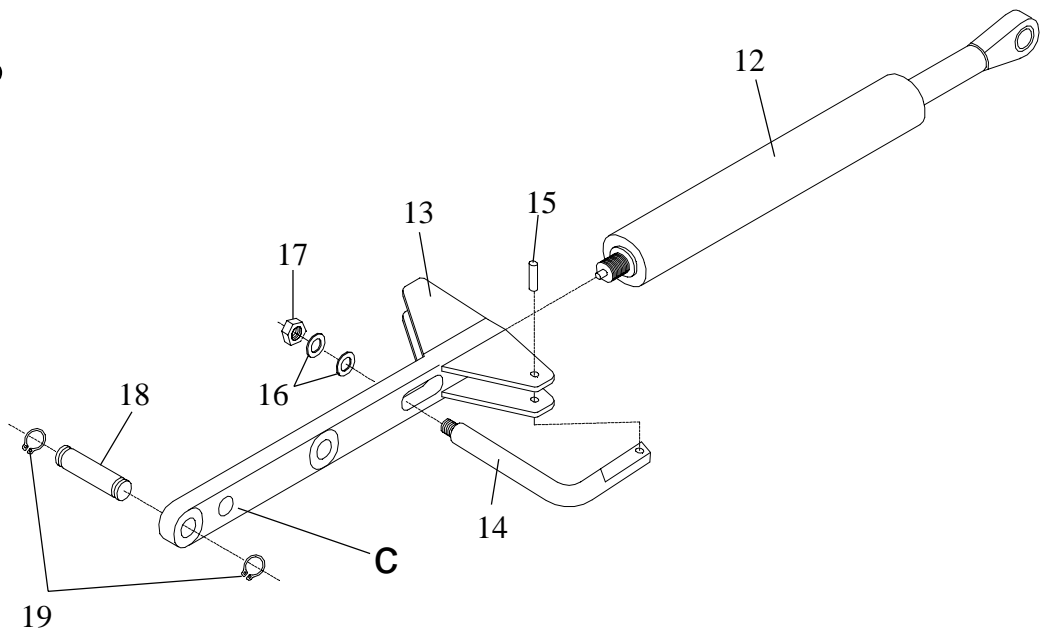
**B**                    **Old model**  
Spare parts not available

## GASFJÄDER med hållare kompl.

A



B

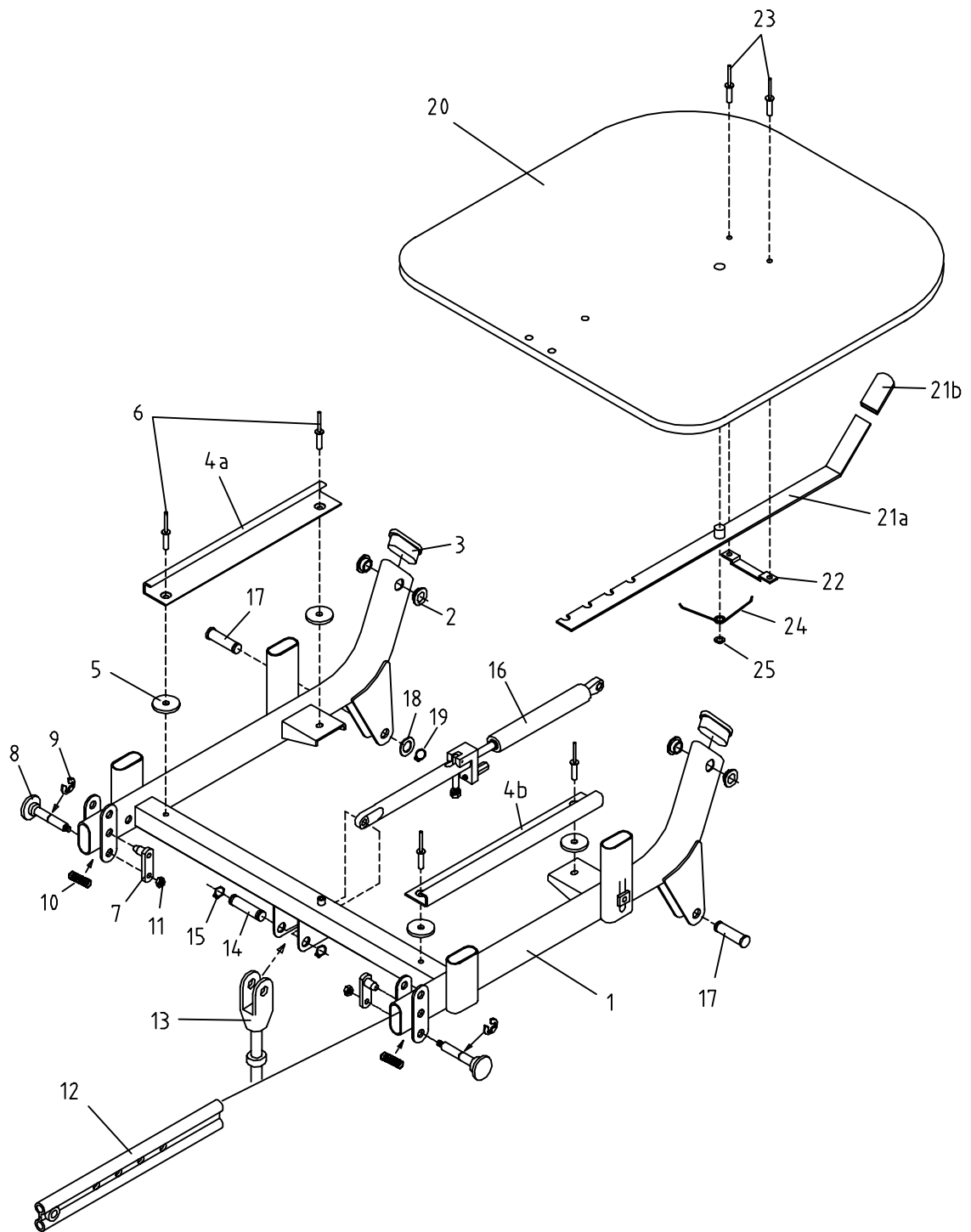


Pos	Art.no.	Description	Incl.
1	10 104-2 20 104-2	Seatframe sw45 / blue cpl. Seatframe sw38 / blue cpl.	1-11 + 17-25 "
2	82 201-1	Bushing fp/10 pcs	
3	82 101-1	Plug fp/10 pcs	
7	18 779	Arm with pin included in 8	
8	11 775 82 301	Control knob, leg angle Knob M6	7-11
9	81 714	Locking washer RS-5	
10	81 865	Spring	
11	81 521	Locking nut M5	
12		Included in legrest holder see page 13.2	
13		Tilt lock unit see page 10.2	
14	11 039	Pin	
15	81 731	Circlips SGA 10	
16		Gas spring, see page 1.3	
17	10 118	Pin	
18	81 615	Washer 10.2x18x1	
19	81 731	Circlips SGA 10	
20	12 112-5 22 112-5	Seat plate with Velcro, SB 45 Seat plate with Velcro, SB 38	20-25 20-25
21a	10 177	Lever	
21b	82 157-1	Cover, package 10 pcs	
22	10 178	Brace	
23	81 445	Blind rivet	
24	10 179-2	Spring	
25	81 702	Locking washer	

(Legrest see 13.2)

SITSRAM kpl. ställbar sits för separata benstöd

Denna ritning får ej kopieras eller överlåtas utan tillstånd av Hantverksdesign & Rehab.prod. AB



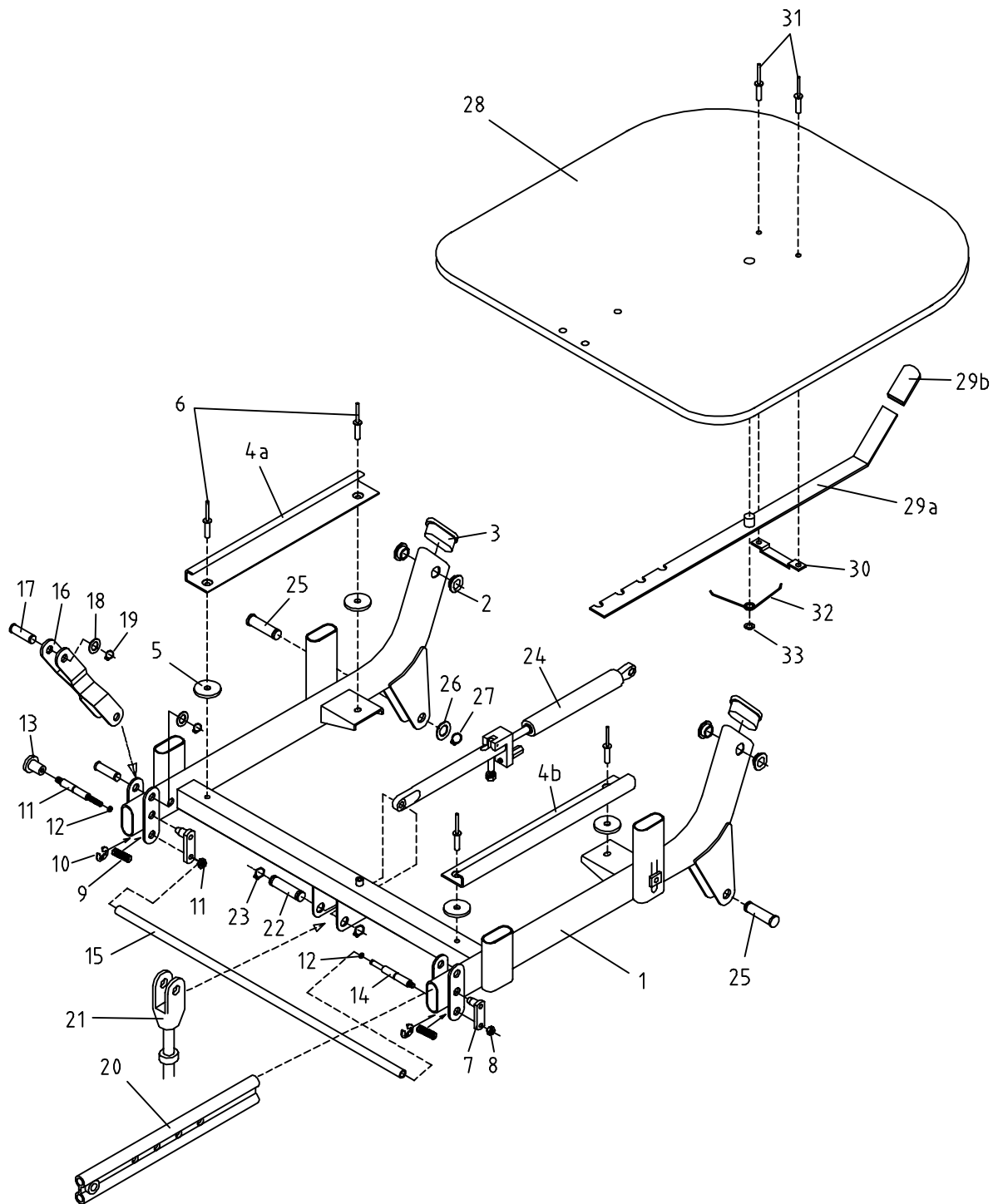
Pos	Art.no.	Description	Incl.
1	10 103-4 20 103-4	Seatframe sw45 / blue cpl. Seatframe sw38 / blue cpl.	1-11 + 17-25 "
2	82 201-1	Bushing fp/10 pcs	
3	82 101-1	Plug fp/10 pcs	
7	16 775-1 26 775-1 18 779	Locking mechanism, leg angle, set, sw45 Locking mechanism, leg angle, set, sw38 Arm with pin	7-15 7-15
8	81 521	Locking nut M5	
9	81 865	Spring	
10	81 714	Locking washer RS-5	
11	16 776-1	Pin M6	
12	82 402	O-ring	
13	82 301	Knob M6	
14	16 776-2	Pin	
15	16 778-1 16 778-2	Bar sw45 Bar sw38	
16	10 751	Link	
17	11 755	Pin	
18	81 616	Washer PS 8x14x1	
19	81 711	Locking washer RS7	
20	11 762	Telescopic bar	
21		Tilt lock unit, see page 10.2	
22	11 039	Pin	
23	81 731	Circlips r SGA 10	
24		Gas spring see page 1.3	
25	10 118	Pin	
26	81 615	Washer 10.2x18x1	
27	81 731	Locking washer SGA 10	
28	12 112-5 22 112-5	Seat plate with Velcro, SB 45 Seat plate with Velcro, SB 38	28-33 28-33
29a	10 177	Lever	
29b	82 157-1	Cover, package 10 pcs	
30	10 178	Brace	
31	81 445	Blind rivet	
32	10 179-2	Spring	
33	81 702	Locking washer	

(Legrest see 13.2)



SITSRAM kpl. ställbar sits för hel benställning

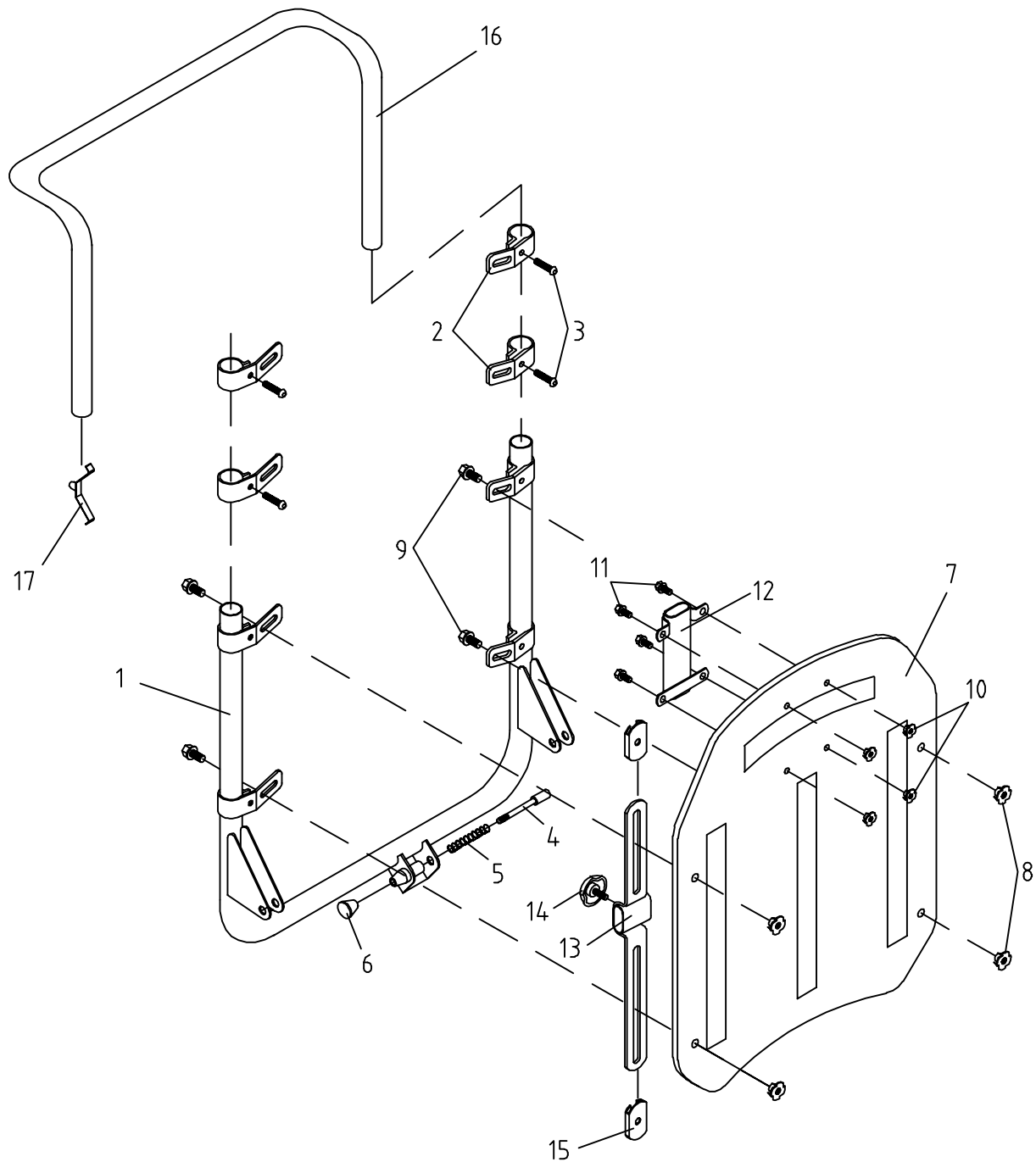
Denna ritning får ej kopieras eller överlåtas utan tillstånd av Hantverksdesign & Rehab.prod. AB



Pos	Art.no.	Description	Incl.
1	10 200-2	Backframe blue sw45 cpl	1-6
	20 200-2	Backframe blue sw38 cpl	"
	30 200-7	Backframe yellow sw38 cpl	"
2	10 254-2	Back plate bracket, blue	
	10 254-7	Back plate bracket, yellow	
3	81 294	Screw	
4	10 225	Folding pin, cpl	2-4
	10 221	Pin	
5	81 852	Spring	
6	82 312	Knob	
7	12 215-1	Back plate sw45 cpl.	7-11
	22 215-1	Back plate sw38 cpl.	"
	32 215-1	Back plate, child model cpl.	"
	12 216-1	Back plate sw45 +10 cm, cpl.	7-11
	22 216-1	Back plate sw38 +10 cm, cpl.	"
	12 217-1	Back plate sw45 +20 cm, cpl.	"
	22 217-1	Back plate sw38 +20 cm, cpl.	"
8	81 537	Nut M8	
9	81 191	Screw M6SF M8x16	
10	81 536	Nut M6	
11	81 126	Screw MRX M6x10	
12	12 730-1	Holder, head rest, cpl.	
13	13 190-5	Holder, thorasic support, pair cpl.	13-15
	13 190-2	Holder, thorasic support, right	"
	13 190-3	Holder, thorasic support, left	"
14	81 942	Knob	
15	13 199-1	Plastic housing, pack. 4 pcs	
16		Pushbar sw45, see page 23.2	
		Pushbar sw38, see page 23.2	

Ryggram kompl. med rygglatta för avtagbara dynor

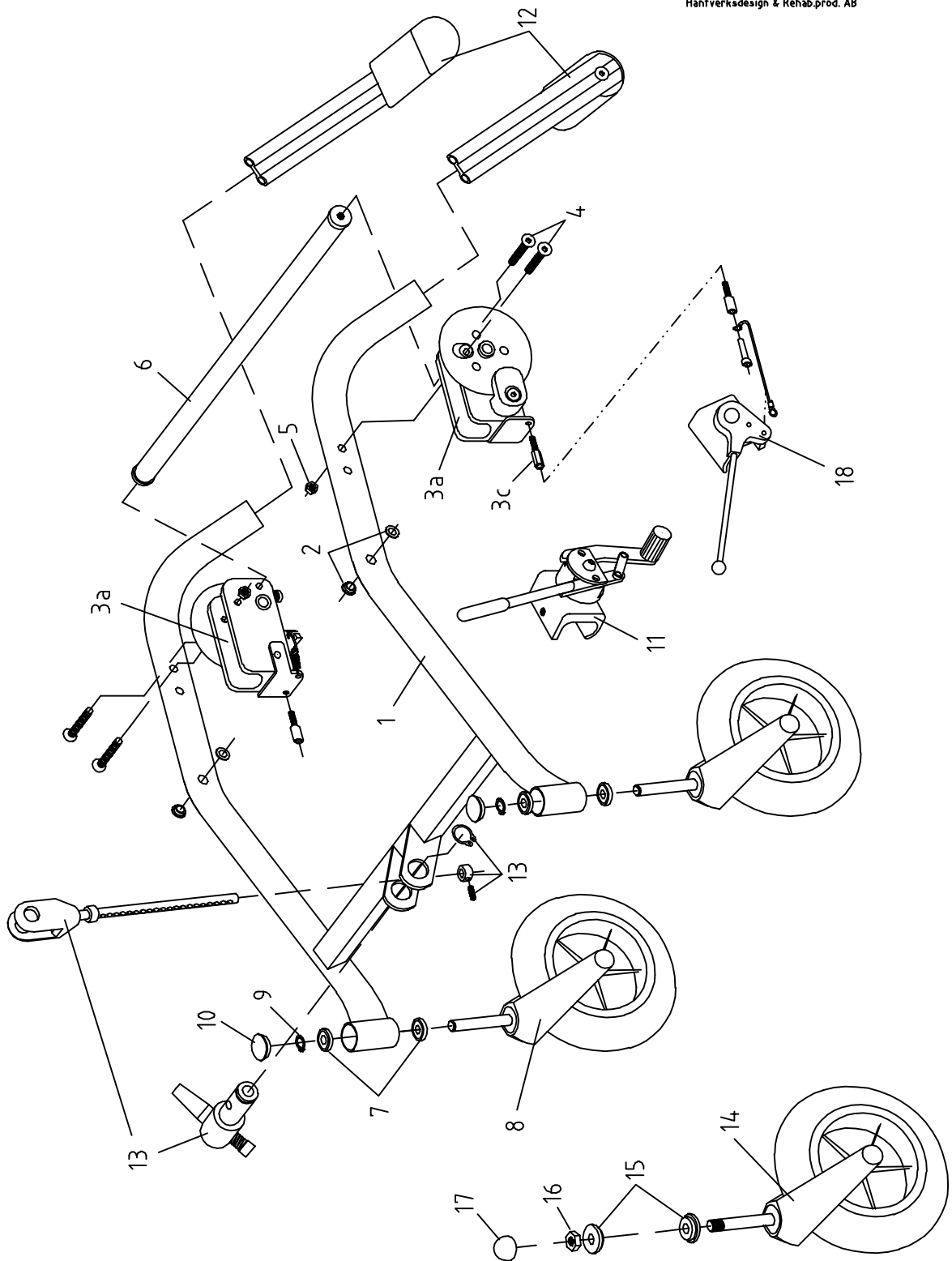
Denna ritning får ej kopieras eller överlåtas utan tillstånd av Hantverksdesign & Rehab.prod. AB



Pos	Art.no.	Description	Incl.
	11 505-2	Wheelframe sw 45 , blue, cpl	1-13
	21 505-2	Wheelframe sw 38 , blue, cpl	"
		NOTE! Including 24"-wheel, see page 19.2	
1	11 510-2	Wheelframe sw 45, blue	
	21 510-2	Wheelframe sw 45, blue	
2	82 201-1	Washer, package/10 piece	
3a		Wheel attachment left, see page 20.1	
3b		Wheel attachment right, see page 20.1	
3c	81 391		
4	81 222	Screw	
5	81 523	Locking nut	
6	11 535	Cross bar sw 45	
	21 535	Cross bar sw 38	
7	82 501	Bearing	
8	15 310-5	Castor 190 mm	
	15 375	Wheel 190x45 PUR	
	15 340	Fork	
9	81 735	Circlips SGA 12	
10	82 102-1	Cover plug, package/10 piece	
11	17 550	Brake right, see page 25.2	
	17 555	Brake left, see page 25.2	
12	11 580	Tipping protection, pair	
	11 580-1	Tipping protection, left	
	11 580-2	Tipping protection, right	
	14 580	Tipping protection,extended, pair	
	14 580-1	Tipping protection,extended, left	
	14 580-2	Tipping protection,extended, right	
	11 685	Cover	
13		Tilt lock unit, see page 10.2	

HJULRAM HD 500 med skivbroms kompl.

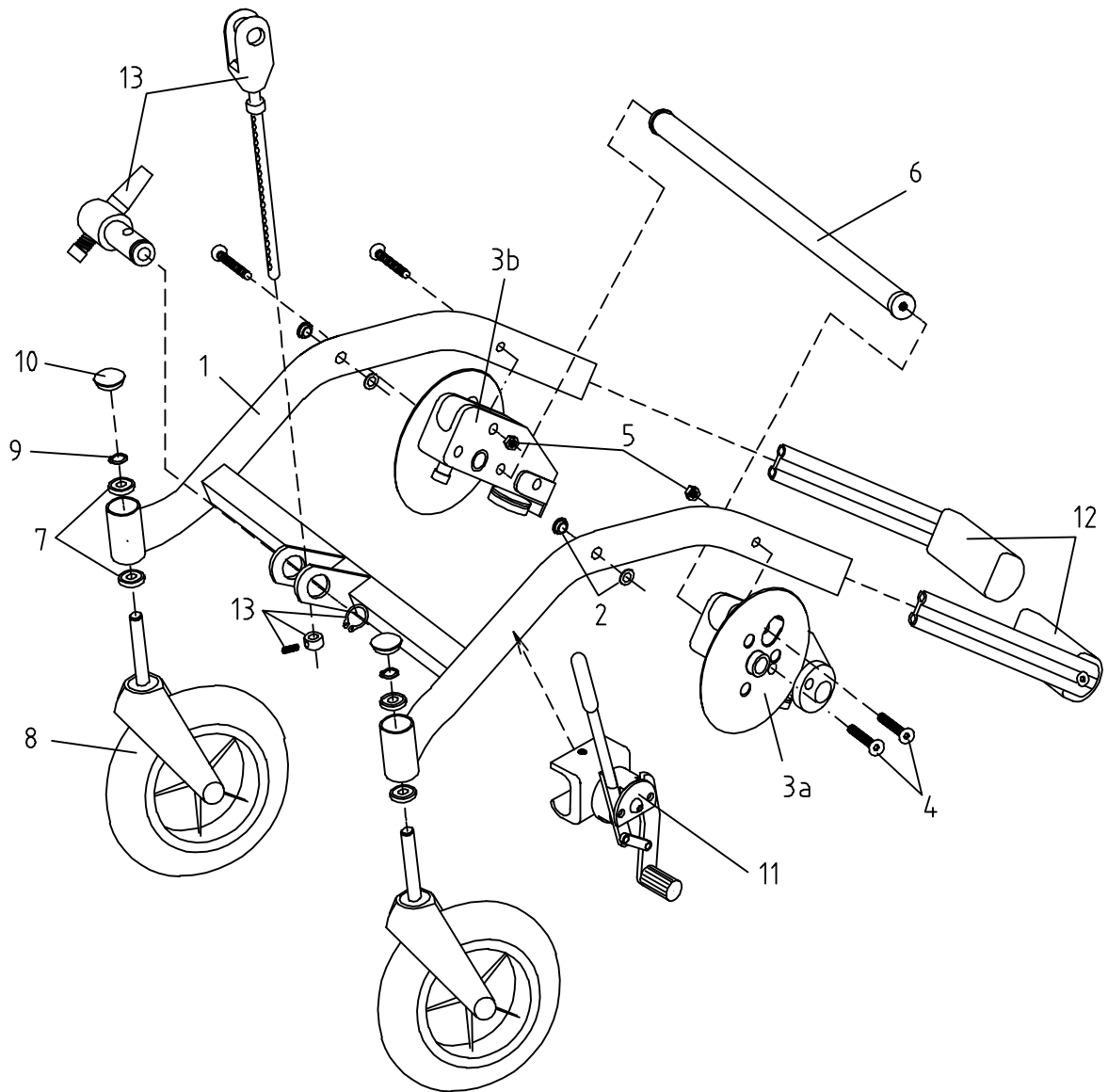
Denna ritning får ej kopieras eller överlåtas utan tillstånd av Hantverksdesign & Rehab.prod. AB



Pos	Art.no.	Description	Incl.
	31 505	Wheelframe , red, cpl	1-13
	31 505-7	Wheelframe , yellow, cpl NOTE! Including 20"-wheel, see page 19.2	
1	31 510	Wheelframe, red	
	31 510-7	Wheelframe , yellow	
2	82 201-1	Washer, package/10 piece	
3a		Wheel attachment left, see page 20.1	
3b		Wheel attachment right, see page 20.1	
4	81 222	Screw	
5	81 523	Locking nut	
6	21 535	Cross bar sw 38	
7	82 501	Bearing	
8	15 310-5	Castor 190 mm	
	15 340	Fork	
9	81 735	Circlips SGA 12	
10	82 102-1	Cover plug, package/10 piece	
11		Brake, see page 25.2	
12	11 580	Tipping protection, pair	
	11 580-1	Tipping protection, left	
	11 580-2	Tipping protection, right	
	11 685	Cover	
13		Tilt lock unit, see page 10.3	

HJULRAM HD 500 Barn med skivbroms

Denna ritning får ej kopieras eller överlåtas utan tillstånd av Hantverksdesign & Rehab.prod. AB



Pos	Art.no.	Description	Inkl.
	11 605-2	Wheelframe sw 45 , blue, cpl with wheel	1-12
	21 605-2	Wheelframe sw 38 , blue, cpl with wheel	"
	31 605	Wheelframe child, red, cpl with wheel	"
	31 605-7	Wheelframe child, yellow, cpl with wheel	"

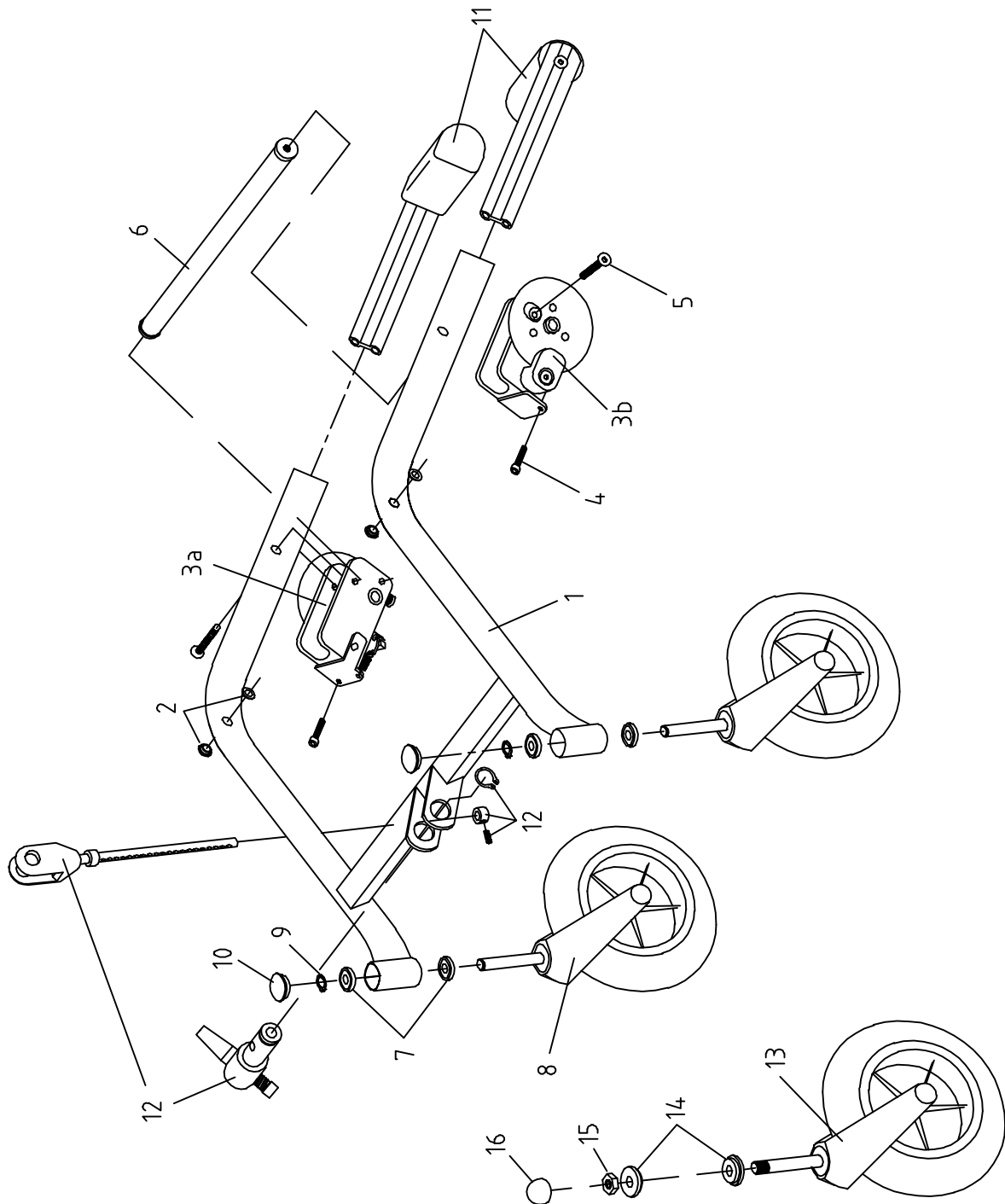
NOTE! Wheel 12,5" included

1	11 610-2	Wheelframe sw 45 , blue	
	21 610-2	Wheelframe sw 38 , blue	
	31 610	Wheelframe child, red,	
	31 610-7	Wheelframe child, yellow	
2	82 201-1	Washer, package/10 piece	
3a		Wheel attachment left, see page 20.1	
3b		Wheel attachment right, see page 20.1	
4	81 391	Adjusting screw, included in 3a resp. 3b	
5	81 222	Screw F6S M8x35	
6	11 535	Cross bar sw 45	
	21 535	Cross bar sw 38	
7	82 501	Bearing	
8	15 310-5	Castor 190 mm	
	15 375	Wheel 190x45 PUR	
	15 340	Fork	
9	81 735	Circlips SGA 12	
10	82 102-1	Cover plug, package/10 piece	
11	11 680	Tipping protection, pair	
	11 680-1	Tipping protection, left	
	11 680-2	Tipping protection, right	
	14 680	Tipping protection,extended, pair	
	14 680-1	Tipping protection,extended, left	
	14 680-2	Tipping protection,extended, right	
	11 685	Cover	
12		Tilt lock unit see page 10.2	



HJULRAM HD 600 med skivbroms kompl.

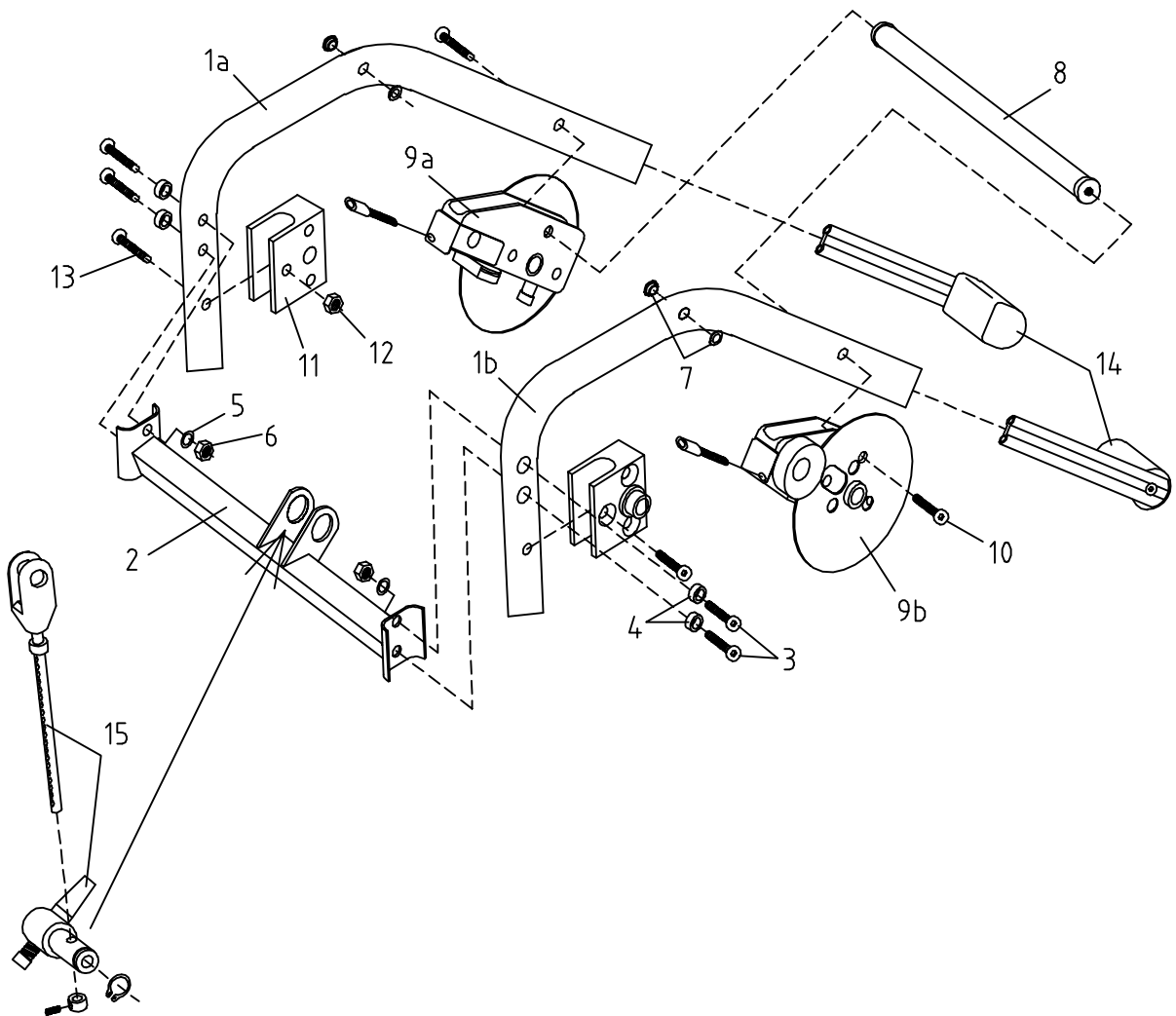
Denna ritning får ej kopieras eller överlåtas utan tillstånd av Hantverksdesign & Rehab.prod. AB



Pos	Art.no.	Description	Incl.
1	31 805 31 805-7	Wheelframe , red, cpl Wheelframe , yellow, cpl NOTE! Including 12"-wheel, see page 19.1	1-15
3	81 233	Screw MLC6S 8x25	
4	11 538	Spacer	
5	81 603	WasherBRB 8,4x16x1,5	
6	81 523	Locking nut M8	
7	82 201-1	Washer, package/10 piece	
8	21 535	Cross bar sw 38	
9a		Wheel attachment left, see page 20.1	
9b		Wheel attachment right, see page 20.1	
10	81 222	Screw F6S M8x35	
11a	16 825	Wheel attachment left	
11b	16 820	Wheel attachment right	
12	81 527	Locking nut	
13	81 222	Screw F6S M8x35	
14	11 680 11 680-1 11 680-2 14 680 14 680-1 14 680-2 11 685	Tipping protection, pair Tipping protection, left Tipping protection, right Tipping protection,extended, pair Tipping protection,extended, left Tipping protection,extended, right Cover	
15		Tilt lock unit, see page 10.3	

HJULRAM HD 800 Barn med skivbroms

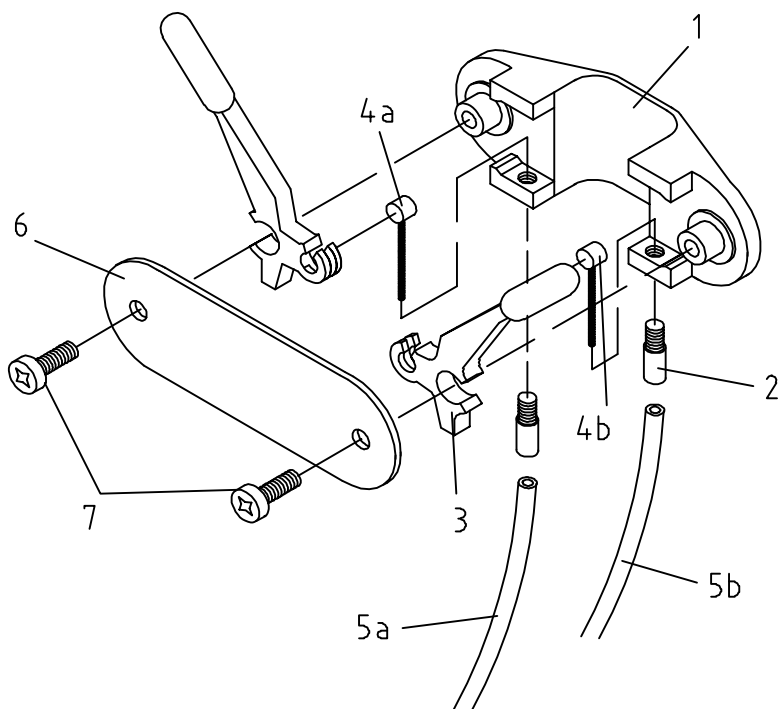
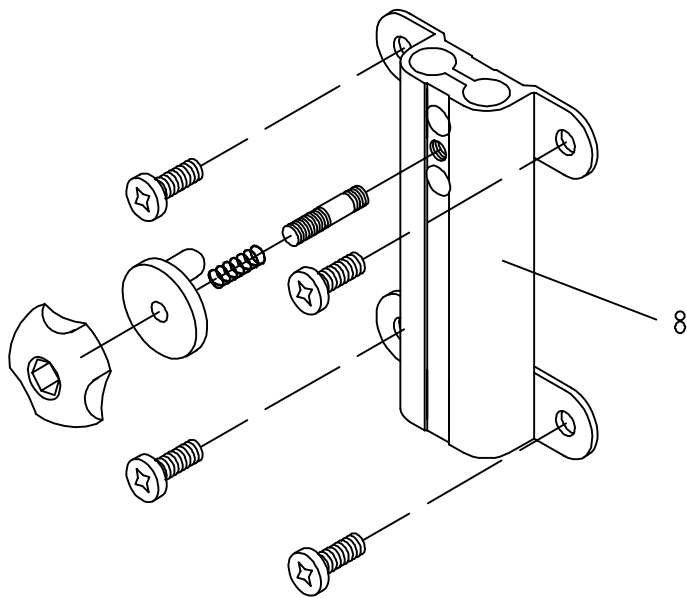
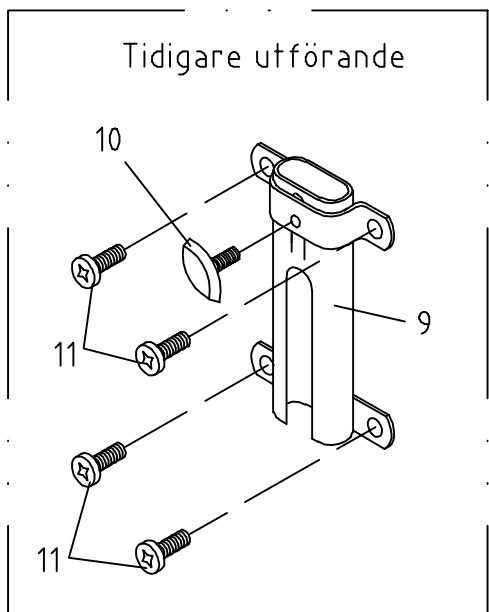
Denna ritning får ej kopieras eller överlåtas utan tillstånd av Hantverksdesign & Rehab.prod. AB



Pos	Art.no.	Description	Inkl.
	11 280	Wire control unit, cpl std	1-7
B	11 280-5	Wire control unit, cpl for childmodels	1-7
C	11 280-2	Wire control unit, cpl for+10cm ext. back	1-7
D	11 280-3	Wire control unit, cpl for+20cm ext. back	1-7
E	11 280-4	Wire control unit, cpl for ext. back angle	1-7
2	81 783-1	Case, package, 10 pcs	
3	11 281-1	Lever	
	82 155-1	Cover package, 10 pcs	
4a	11 266-5	Wire/Housing, gas spring	4a, 5a
	82 477	Wire, gas spring	
4b	11 276-5	Wire/Housing, tilt unit	4b, 5b
	82 478	Wire, tilt unit	
5a	82 493	Housing, gas spring	
5b	82 494	Housing, tilt unit	
6	11 288	Cover plate	
7	81 102	Screw MRX 5x12	
B 4a	11 266-5	Wire/Housing	4a, 5a
	82 477	Wire, 970 mm	4b
	11 266-5	Wire/Housing	4b, 5b
	82 477	Wire, 970 mm	
5a	82 493	Housing, 850 mm	
5b	82 493	Housing, 850 mm	
C 4a	11 265-6	Wire/Housing gas spring +10 cm	4a, 5a
	82 477-5	Wire, 1070 mm	
4b	11 275-6	Wire/Housing, tilt unit +10 cm	4b, 5b
	82 478-5	Wire, 1270 mm	
5a	82 496	Housing, 950 mm	
5b	82 497	Housing, 1150 mm	
D 4a	11 265-7	Wire/Housing gas spring +20 cm	4a, 5a
	82 478	Wire, 1170 mm	
4b	11 275-7	Wire/Housing, tilt unit +20 cm	4b, 5b
	82 479	Wire, 1370 mm	
5a	82 494	Housing, 1050 mm	
5b	82 495	Housing, 1250 mm	
E 4a+b	11 276-5	Wire/Housing, tilt unit	4, 5
	82 478	Wire, tilt unit	
5a+b	82 494	Housing, tilt unit	
8		Bracket, headrest cpl, see page 15.2	

VAJERREGLAGE mod. -98 kompl.

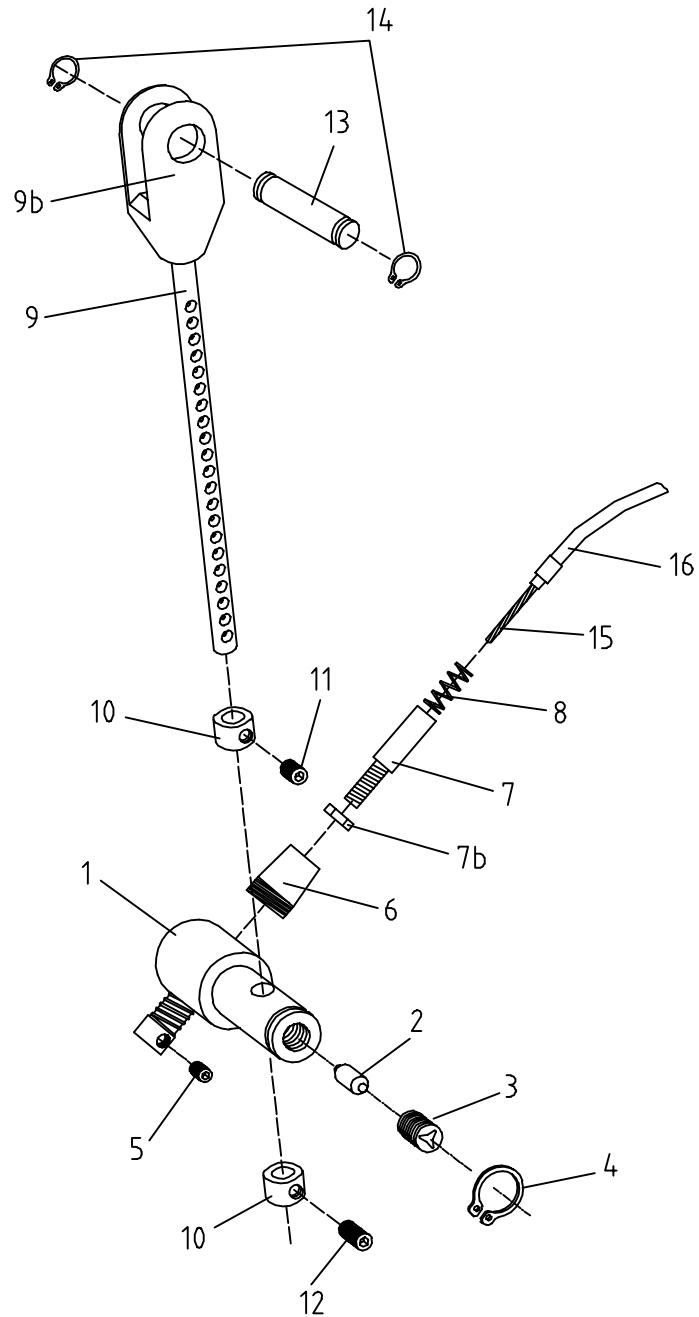
Denna ritning får ej kopieras eller överlåtas utan tillstånd av Hantverksdesign & Rehab.prod. AB



Pos	Art.no.	Description	Incl.
1	11 040	Tilt locking unit, cpl.	1-14
	11 020	Tilt locking unit	1-8
3	11 025-1	Friction screw, cpl.	
4	81 732	Circlips SGA 20	
5	81 312	Screw	
7	11 029	Adjusting screw	
7b	81 515	Nut	
8	81 874	Spring	
9	11 030-1	Tilt bar, cpl.	9-14
	11 035-1	Tilt bar extended, cpl.	9-14
10	11 038	Stop ring	
11	81 305	Screw	
12	81 307	Screw	
13	11 039	Pin	
14	81 731	Circlips SGA 12	
15		See page 9.1 and 9.2	
16		See page 9.1 and 9.2	

TIPPLÅS mod. -99 kompl.

Denna ritning får ej kopieras eller överlåtas utan tillstånd av Hantverksdesign & Rehab.prod. AB

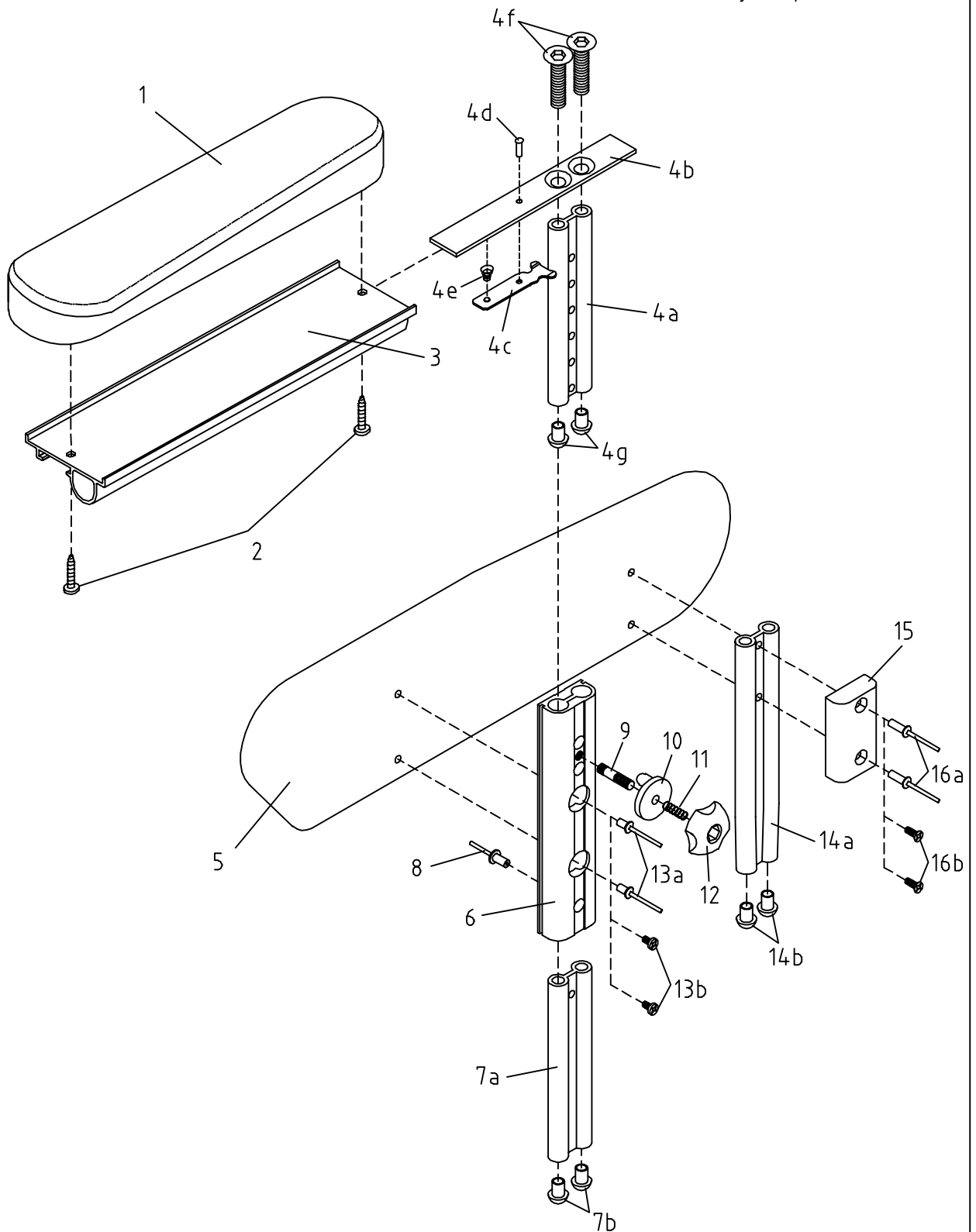


Pos	Art.no.	Description	Incl.
	12 407	Arm rest pair, cpl	1-16
	12 407-1	Arm rest left, cpl	1-16
	12 407-2	Arm rest right, cpl	1-16
1	12 487-1	Arm rest unit left, cpl	1-4
	12 487-2	Arm rest unit right, cpl	1-4
	12 465-5	Arm rest board, left	1
	12 466-5	Arm rest board, right	1
2	81 415	Screw	
4e	81 858	Spring	
4g	82 136-1	Plug package, 10 pcs	
5	12 496-1	Side panel unit, left	5-16
	12 496-2	Side panel unit, right	5-16
	12 440-1	Side panel, left	5
	12 440-2	Side panel, right	5
	46 441	Cover	
7b	82 136-1	Plug package, 10 pcs	
11	81 469	Spring	
12	81 920-5	Knob M6	
13a	81 442	Blind rivet	
13b	81 104	Screw	
14b	82 136-1	Plug package, 10 pcs	
16a	81 448	Blind rivet	
16b	81 115	Screw	



Armstöd mod. -02

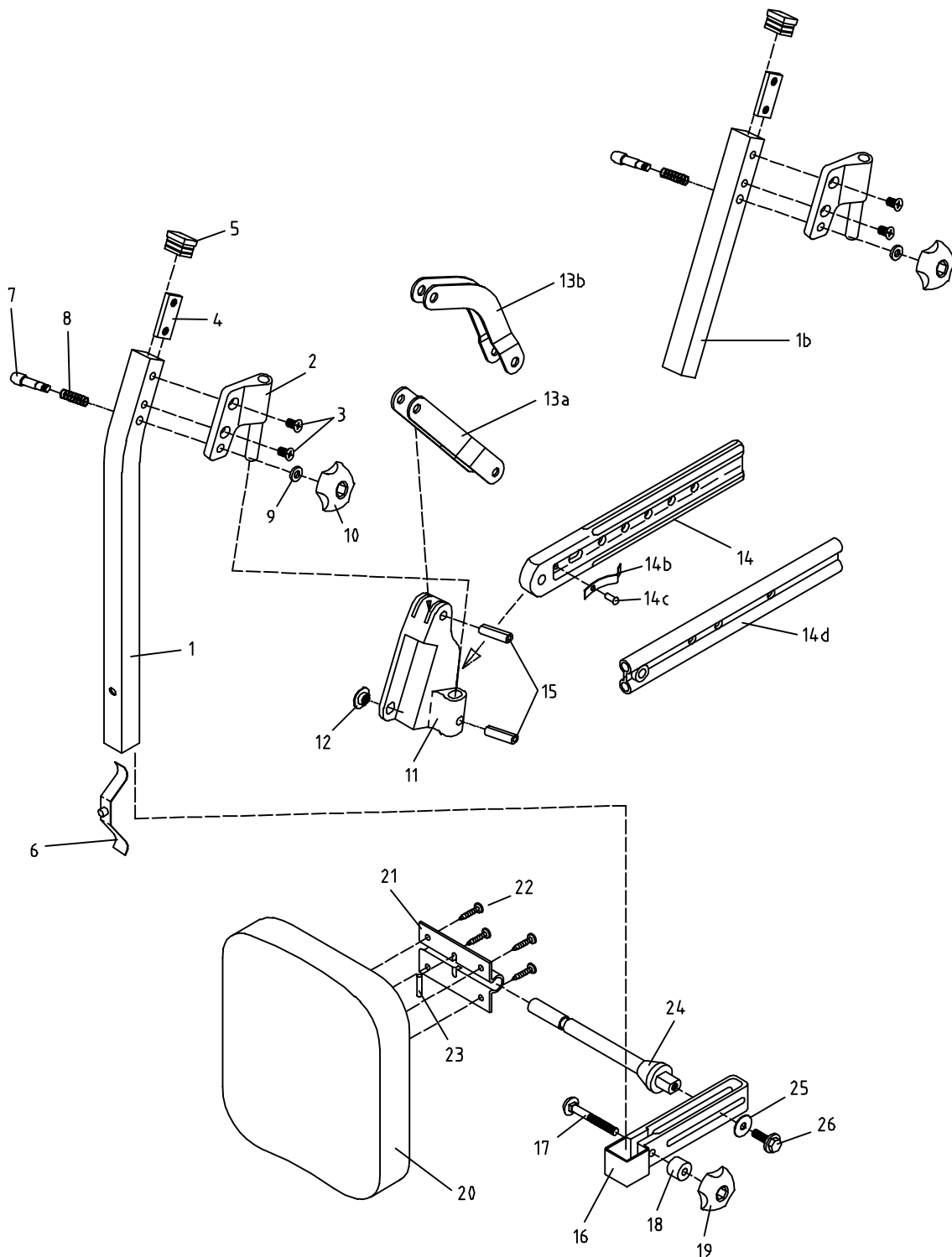
Denna ritning får ej kopieras eller överlåtas utan tillstånd av Hantverksdesign & Rehab.prod. AB



Pos.	Art.no.	Description	Inkl.
	16 701-5	Leg rest left sw 45, with calf- and foot plate	1-10 + *
	16 702-5	Leg rest right sw 45, with calf- and foot plate	1-10 + *
	26 701-5	Leg rest left sw 38, with calf- and foot plate	1-10 + *
	26 702-5	Leg rest right sw 38, with calf- and foot plate	1-10 + *
	36 701-5	Leg rest left child, with calf- and foot plate	1-10 + *
	36 702-5	Leg rest right child, with calf- and foot plate	1-10 + *
		* 16-26 page 13.2c and 1-9 page 13.4	
1	16 750	Leg support bar right, cpl	1-10
	16 755	Leg support bar left, cpl	1-10
	36 750	Leg support bar right, child, cpl	1-10
	36 755	Leg support bar left, child, cpl	1-10
	16 761	Leg support bar 90° left, cpl	1-10
	16 762	Leg support bar 90° right, cpl	1-10
	36 761	Leg support bar 90° left, child, cpl	1-10
	36 762	Leg support bar 90° right, child, cpl	1-10
	16 750-5	Leg support bar, straight, right, cpl	1-10
	16 755-5	Leg support bar, straight, left, cpl	1-10
1b	16 734-5	Leg support bar, amputee left, cpl	1-10
	16 744-5	Leg support bar, amputee right, cpl	1-10
5	82 108	Plug	
6	10 790-1	Locking knob, p/5 pcs	
7	11 752-1	Screw pin set, cpl	7-10
8	81 869	Spring	
10	81 935-5	Knob 31x15 M6	
11	16 725-5	Leg fitting unit, right cpl, adult	11-15
	16 715-5	Leg fitting unit, left cpl, adult	11-15
	36 725	Leg fitting unit, right cpl, child	11-15
	36 715	Leg fitting unit, left cpl, child	11-15
		NOTE! pos. 13a replaced by 13b and pos. 14 replaced by 14d	
13b	11 738	Link, included in 6	
14		Teleskopisk bar, plastic, not available	14-14c
14d	11 762	Teleskopisk bar alum. adult, std, included in 11	
	31 762	Teleskopisk bar alum. child, std, included in 11	

BENSTÖD kompl. avtagbara

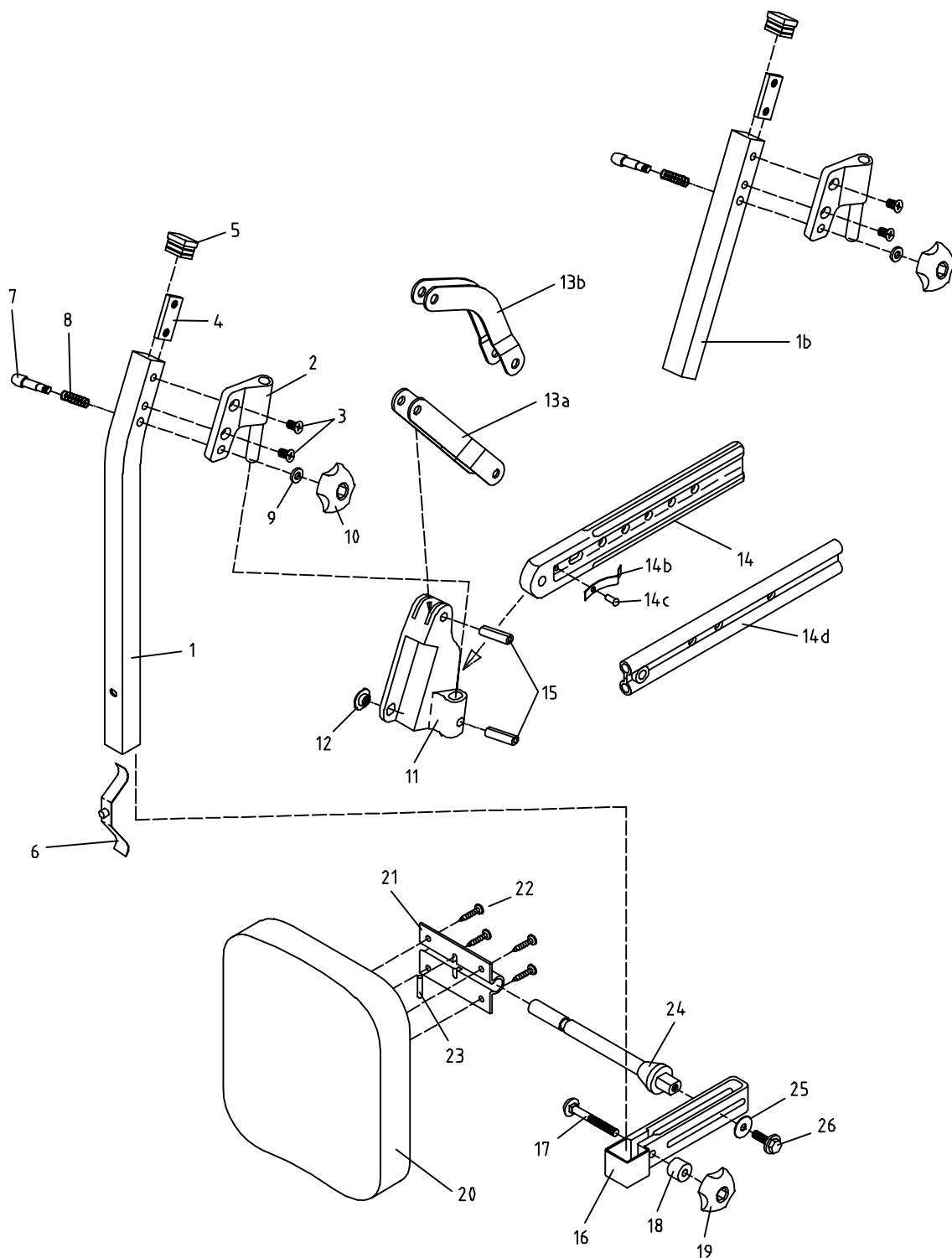
Denna ritning får ej kopieras eller överlåtas utan tillstånd av Hantverksdesign & Rehab.prod. AB



Pos	Art.nr.	Benämning	Inkl.
	12 550-5	Calf support, right sw 45, cpl	16-26
	12 555-5	Calf support, left sw 45, cpl	16-26
	22 550-5	Calf support, right sw 38, cpl	16-26
	22 555-5	Calf support, left sw 38, cpl	16-26
	32 550-5	Calf support, right child, cpl	16-26
	32 555-5	Calf support, left child, cpl	16-26
16	11 796-1	Calf support bracket, adult, cpl	16-19
	31 796-1	Calf support bracket, child, cpl	16-19
17	81 260	Screw	
18	11 796-9	Spacer	
19	81 920-5	Knob M6	
20	12 553	Calf support, left sw 45	20-26
	12 554	Calf support, right sw 45	20-26
	22 553	Calf support, left sw 38	20-26
	22 554	Calf support, right sw 38	20-26
	32 553	Calf support, left child	20-26
	32 554	Calf support, right child	20-26
	12 560-5	Cushion, sw 45	
	22 560-5	Cushion, sw 38	
	32 560-5	Cushion, child	
21	12 545-5	Brace	
22	81 415-1	Screw, p./ 10 pcs	
25	81 620	Washer	
26	81 194	Screw	

BENSTÖD kompl. avtagbara

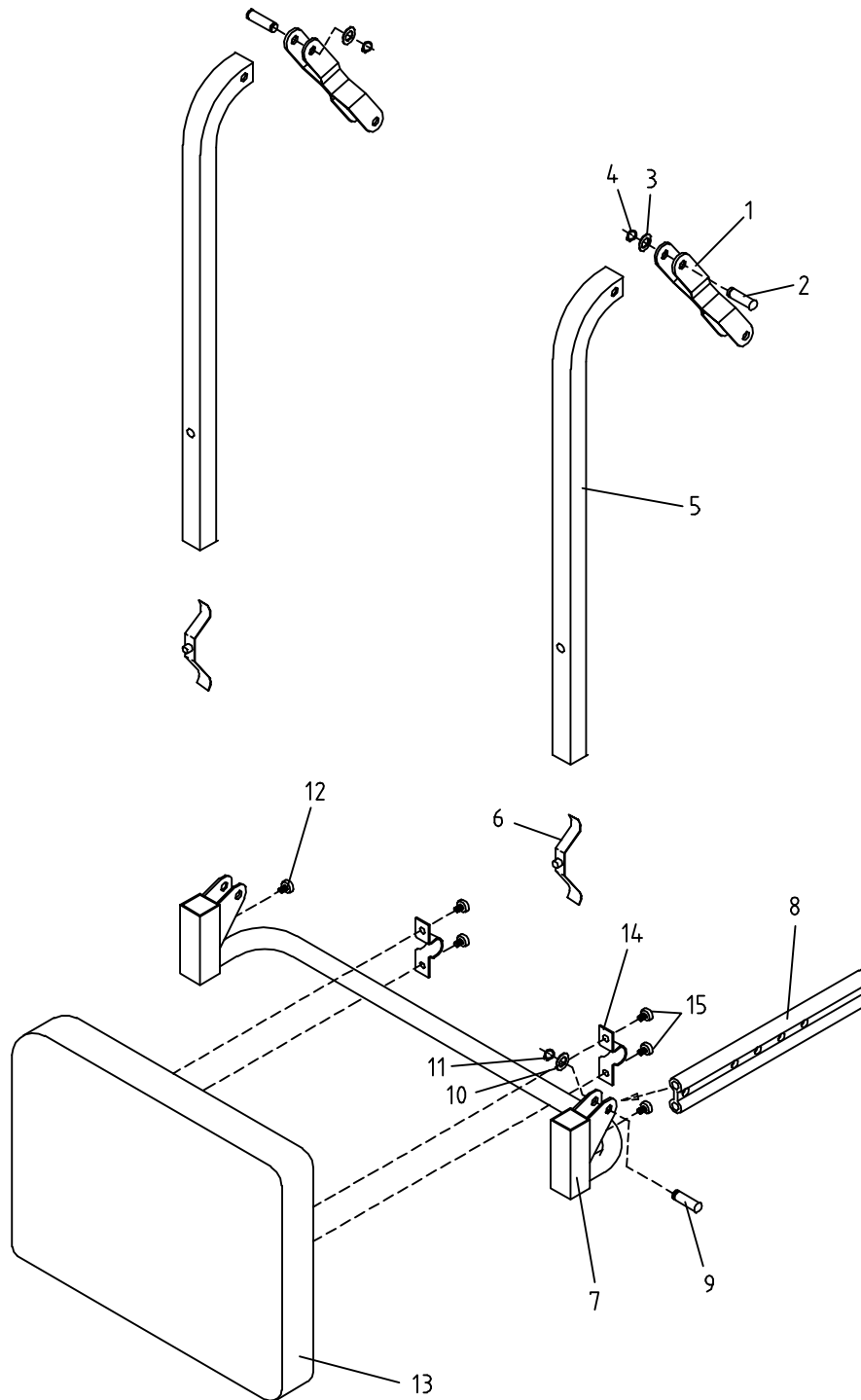
Denna ritning får ej kopieras eller överlåtas utan tillstånd av Hantverksdesign & Rehab.prod. AB



Pos	Art.no.	Description	Incl.
	11 710-5	Leg rest frame complete, sw 45	1-12
	21 710-5	Leg rest frame complete, sw 38	1-12
	31 710-5	Leg rest frame complete, child	1-12
1	10 751	Link	
2	11 755	Pin	
3	81 616	Washer	
4	81 711	Locking washer RS 7	
5	11 721	Leg rest tube, adult	
	31 721	Leg rest tube, child	
6	10 790-1	Locking knob, p/5 pcs	
7	11 740-5	Frame, calf support, sw 45	
	21 740-5	Frame, calf support, sw 38	
8	11 762	Teleskopic bar alum. adult,	
9	10 765	Pin	
10	81 616	Washer	
11	81 711	Locking washer RS 7	
12	81 401	Screw	
13	12 505-5	Cushion, sw 45	13-15
	22 505-5	Cushion, sw 38	13-15
	32 505-5	Cushion, child	13-15
14	12 541	Brace	
15	81 104-1	Screw, p./ 10 pcs	

BENSTÖD kompl. hel benställning mod. -99

Denna ritning får ej kopieras eller överlåtas utan tillstånd av Hantverksdesign & Rehab.prod. AB

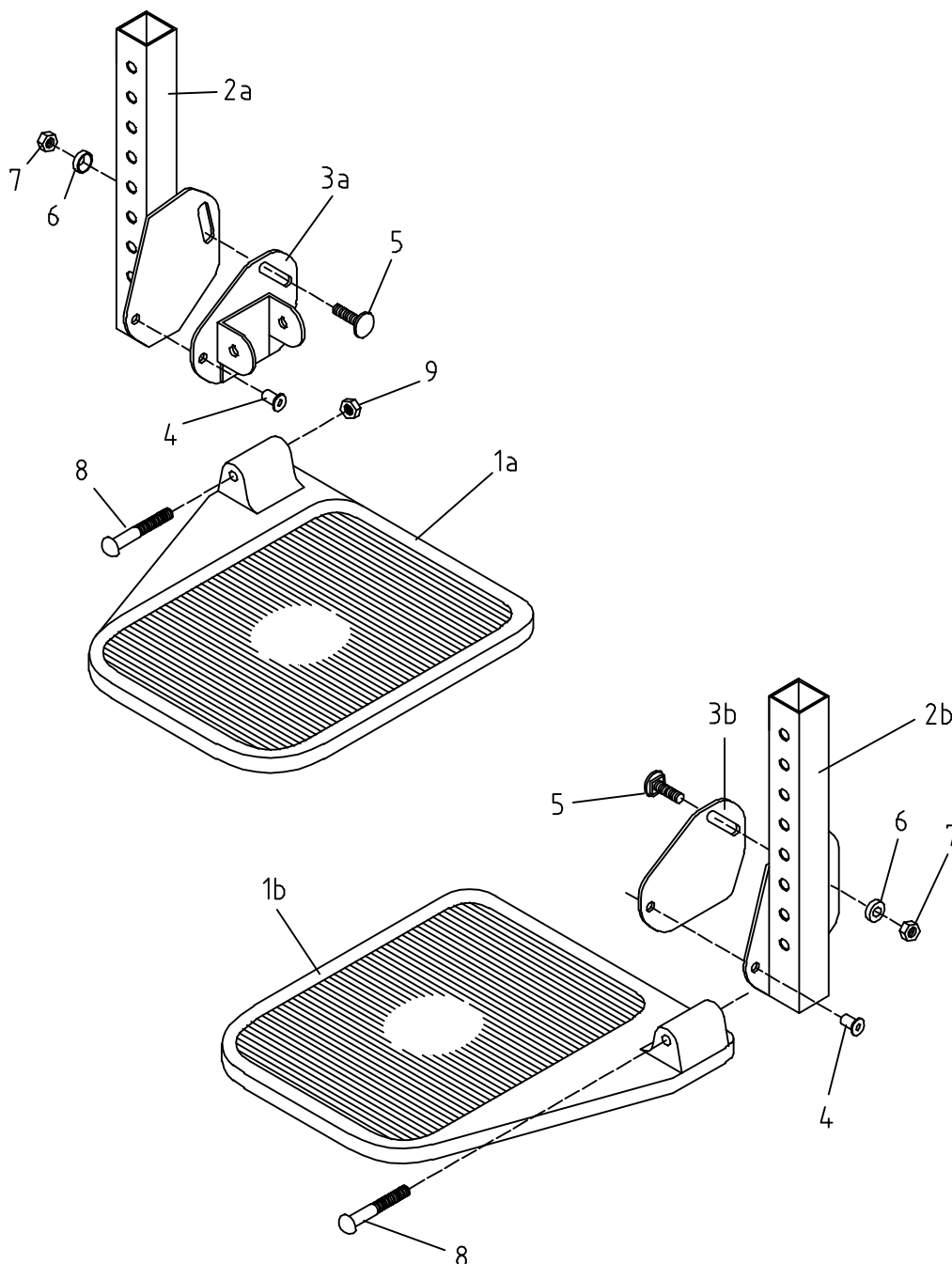


Pos	Art.no.	Description	Incl
	11 907	Foot support, sw 45, pair cpl.	1 – 9
	11 908	Foot support, sw 45, right, cpl.	1 – 9
	11 909	Foot support, sw 45, left, cpl.	1 – 9
	21 907	Foot support, sw 38, pair cpl.	
	21 908	Foot support, sw 38, right, cpl.	1 – 9
	21 909	Foot support, sw 38, left, cpl.	1 - 9
	31 907	Foot support, child, pair cpl.	1 - 9
	31 908	Foot support, child, right, cpl.	1 - 9
	31 909	Foot support, child, left, cpl.	1 - 9
	14 908	Foot support extended, sw 45, right, cpl.	1 – 9
	14 909	Foot support extended, sw 45, left, cpl.	1 - 9
	24 908	Foot support extended, sw 38, right, cpl.	1 - 9
	24 909	Foot support extended, sw 38, left, cpl.	1 - 9
	14 901	Foot support short, sw 45, right, cpl.	1 - 9
	14 902	Foot support short, sw 45, left, cpl.	1 - 9
1a	11 920	Foot plate sw 45 right	
	21 920	Foot plate sw 38 right	
1b	11 910	Foot plate sw 45 left	
	21 910	Foot plate sw 38 left	
2a	10 940	Foot plate holder, standard, right, cpl	2 – 7
	14 940	Foot plate holder, extended 10 cm, right, cpl	2 – 7
	30 940	Foot plate holder, child, right, cpl	2 – 7
2b	10 930	Foot plate holder, standard, left, cpl	2 – 7
	14 930	Foot plate holder, extended 10 cm, left, cpl	2 – 7
	30 930	Foot plate holder, child, left, cpl	2 – 7
5	81 217	Screw MVBF M6x16	
6	81 624	Washer TBRB 8,4x16x3	
7	81 522	Locking nut M6	
8	81 215	Screw DIN 607 M8x50	
9	81 523	Locking nut M8	



FOTSTÖD separata fotplattor

Denna ritning får ej kopieras eller överlåtas utan tillstånd av Hantverksdesign & Rehab.prod. AB

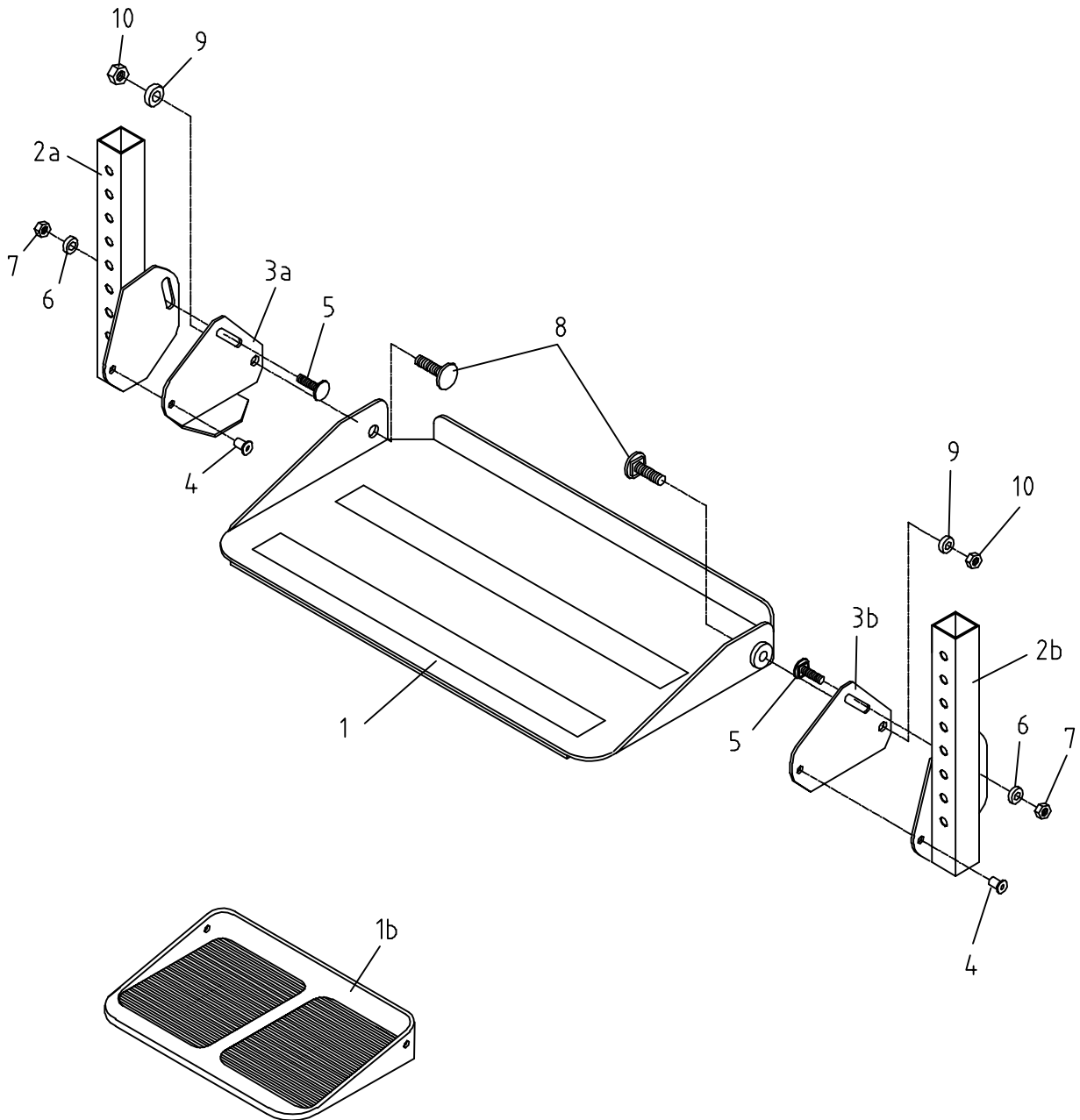


Pos	Art.no.	Description	Incl
	11 950	Foot support, complete footplate, sw 45	1-10
	21 950	Foot support, complete footplate, sw 38	1-10
	31 950	Foot support, complete footplate, child	1-10
1	10 910	Foto plate sw 45, complete	
	30 910	Foto plate sw 38, complete	
2a	10 960	Foot plate holder, standard, right, cpl	2a-7
	30 960	Foot plate holder, child, right, cpl	2a-7
	14 960	Foot plate holder, extended 10 cm, right, cpl	2a-7
2b	10 970	Foot plate holder, standard, left, cpl	2b-7
	30 970	Foot plate holder, child, left, cpl	2b-7
	14 970	Foot plate holder, extended 10 cm, left, cpl	2b-7
5	81 217	Skrew MVBF M6x16	
6	81 624	Washer	
7	81 522	Locking nut M6	
8	81 142	Screw MRX M8x20	
10	81 543	Locking nut M8	

+

FOTSTÖD kompl. hel platta

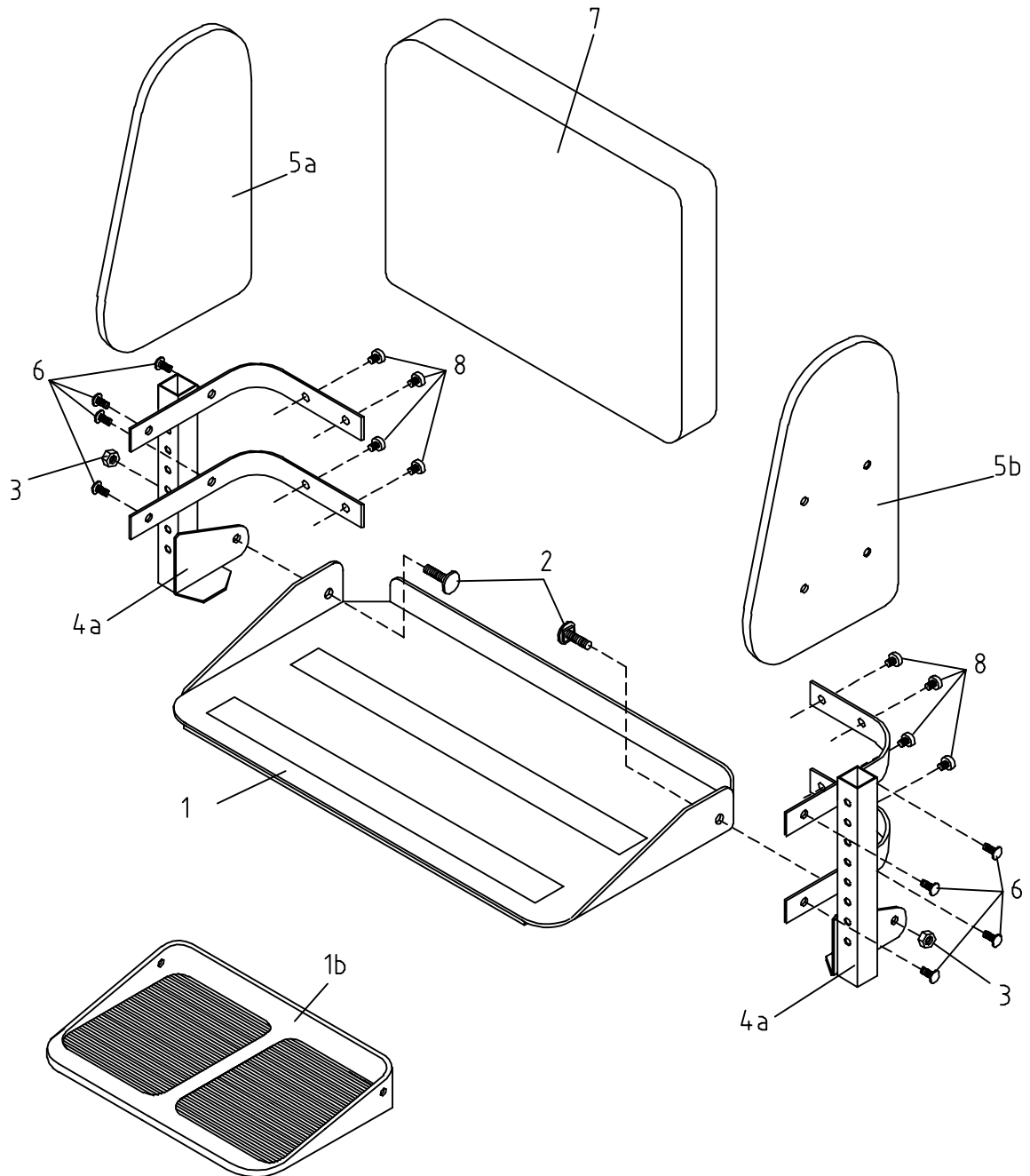
Denna ritning får ej kopieras eller överlåtas utan tillstånd av Hantverksdesign & Rehab.prod. AB



Pos	Art.no.	Description	Incl
	16 910	Footbox, sw 45	1-7
	26 910	Footbox, sw 38	1-7
	36 910	Footbox, child	1-7
1	10 910-5	Foot plate sw 45, complete	
	30 910-5	Foot plate sw 38, complete	
2	81 142	Screw MRX M8x20	
3	81 543	Locking nut M8	
5a	16 930	Side panel, right	
5b	16 935	Side panel, left	
6	81 104-1	Screw p. / 10 pcs	
7	12 505-5	Cushion, sw 45	
	22 505-5	Cushion, sw 38	
	32 505-5	Cushion, child	
8	81 421	Screw	

FOTLÅDA kompl.

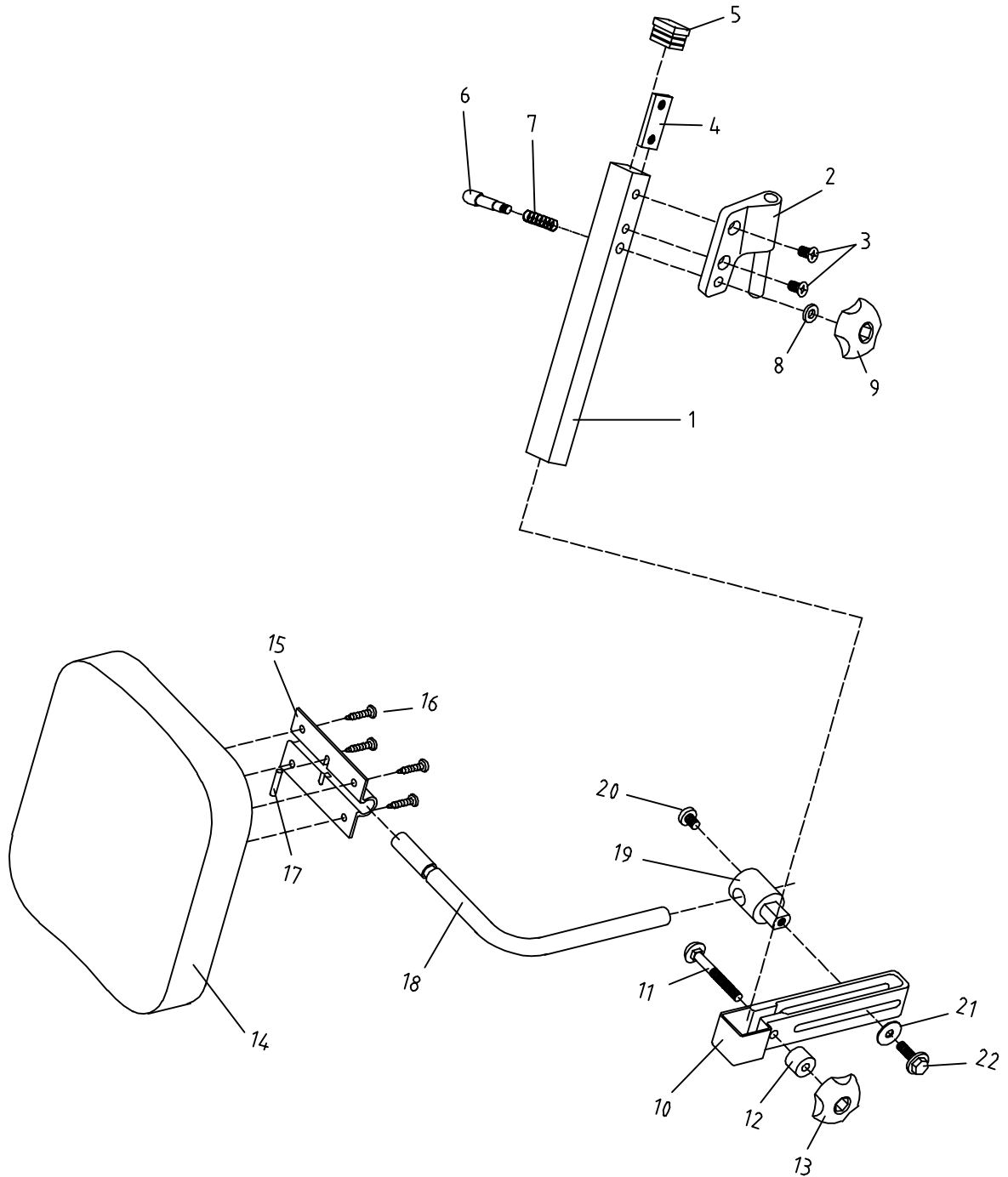
Denna ritning får ej kopieras eller överlåtas utan tillstånd av Hantverksdesign & Rehab.prod. AB



Pos.	Art.no.	Description	Incl.
	16 735-5	Amputee leg rest, left, sw 45	1-22
	16 745-5	Amputee leg rest, right, sw 45	1-22
	26 735-5	Amputee leg rest, left, sw 38	1-22
	26 745-5	Amputee leg rest, right, sw 38	1-22
1	16 734-5	Leg support bar, amputee left, cpl	1-9
	16 744-5	Leg support bar, amputee right, cpl	1-9
5	82 108	Plug	
10	11 796-1	Calf support bracket, cpl	10-13
11	81 260	Screw	
12	11 796-5	Spacer	
13	81 920-5	Knob M6	
14	12 560-5	Cushion, sw 45	
	22 560-5	Cushion, sw 38	
15	12 545-5	Brace	
16	81 415	Screw	
18	11 798-1	Bar	
19	11 798-2	Fixing	
20	81 121	Screw	
21	81 620	Washer	
22	81 194	Screw	

AMPUTATIONS BENSTÖD kompl. avtagbara

Denna ritning får ej kopieras eller överlåtas utan tillstånd av Hantverksdesign & Rehab.prod. AB

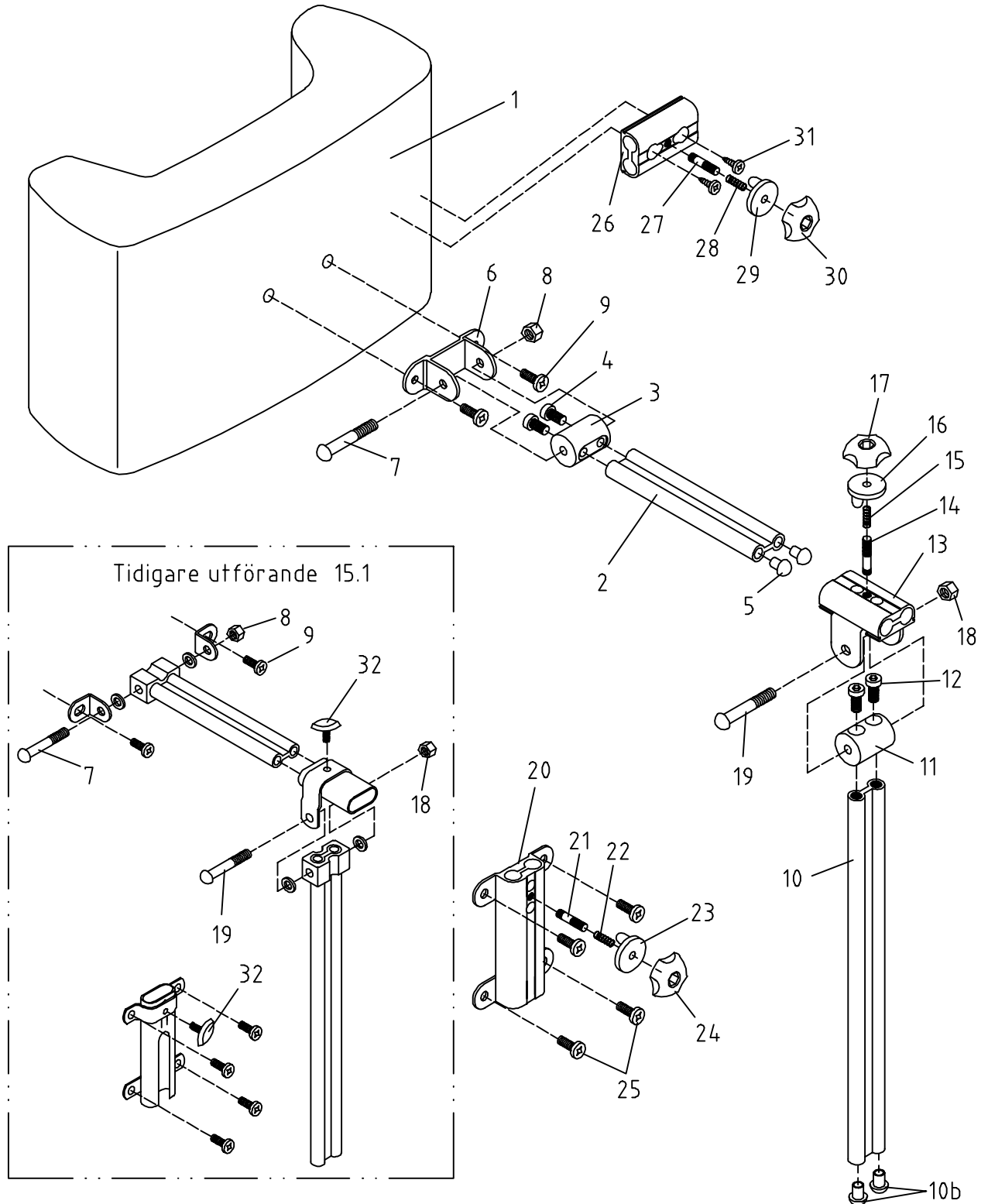


Pos	Art.no.	Description	Incl.
	12 705-1	Head support, cpl, blue cover	1-19
	12 705-3	Head support, cpl, gray cover	1-19
1	12 765-1	Head support cushion, blue cover	
	46 471	Back cover, vinyl, velcro	
	46 472	Front cover, <b>grey</b> , velcro	
	45 475	Front cover, <b>blue</b> , velcro	
2	12 780	Head cushion bar, cpl	2-9
5	82 137-1	Plug, p./ 10 pcs	
6	12 789-2	Brace	
7	81 216	Screw DIN607 8x55	
8	81 523-1	Locking nut, p./ 10 pcs	
9	81 122	Screw MRX 6x16	
10	12 790	Extension bar, cpl	10-19
10b	82 137-1	Plug, p./ 10 pcs	
15	81 869	Spring	
16	12 413-5	Thrustwasher	
17	81 920-5	Knob M6	
18	81 523-1	Locking nut, p./ 10 pcs	
19	81 216	Screw DIN607 8x55	
20	12 731-1	Head support fastening, cpl	20-25
22	81 869	Spring	
23	12 413-5	Thrustwasher	
24	81 920-5	Knob M6	
25	81 121	Screw MRX 6x10	
		Housing, extra fittings ( for head side support )	
26	12 663-9	Housing, cpl.	26-31
28	81 869	Spring	
29	12 413-5	Thrustwasher	
30	81 920-5	Knob M6	
31	81 415-1	Screw, p./ 10 pcs	



HUVUDSTÖD kompl. mod. -02

Denna ritning får ej kopieras eller överlåtas utan tillstånd av Hantverksdesign & Rehab.prod. AB



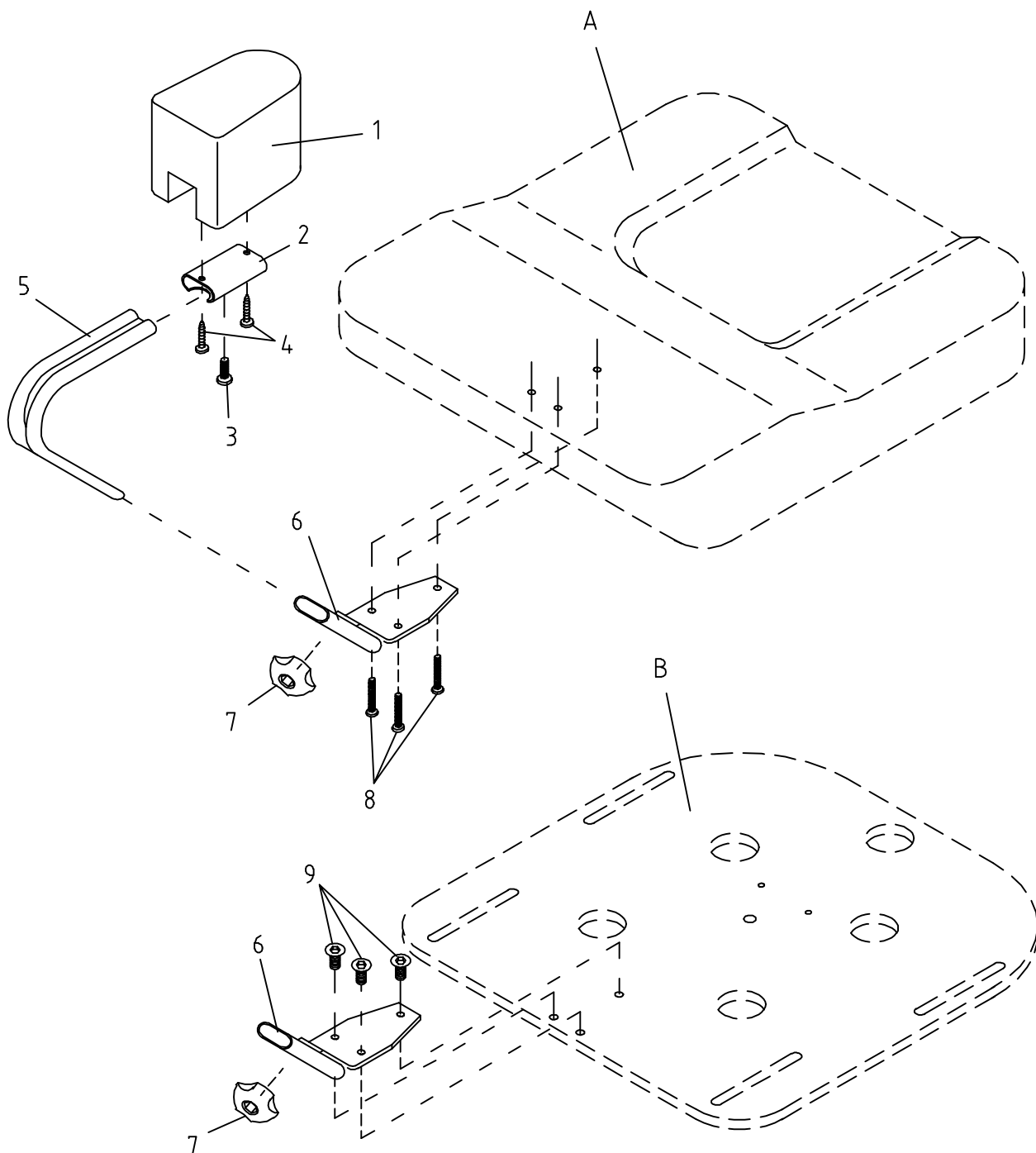
**Hantverksdesign & Rehab.prod. AB**  
 Box 1263 181 24 Lidingö Sweden

sp12705-2  
 Rev. datum  
 2002-09-20

Pos	Art.no.	Description	Incl.
	12 605-1	Pommel big, cpl, darkgrey vinyl	1-9
	12 675-1	Pommel small, cpl, darkgrey vinyl	1-9
1	12 665-1	Pommel cushion, big	1-4
	12 695-1	Pommel cushion, small	1-4
	45 462	Cover, big	
	45 461	Cover, small	
2	12 663-1	Housing, cpl.	2-3
3	81 121	Screw MRX 6x10	
4	81 415	Screw	
5	12 685	Pommel bracket	
6	12 680	Fastening cpl	6-9
7	81 941	Knob M6x12	
8	81 103	Screw MRX 5x16 for old seat models	
9	81 112	Screw MFX 5x10	
A		Seat old model	
B		Seat plate	

BENDELARE kompl. med fäste

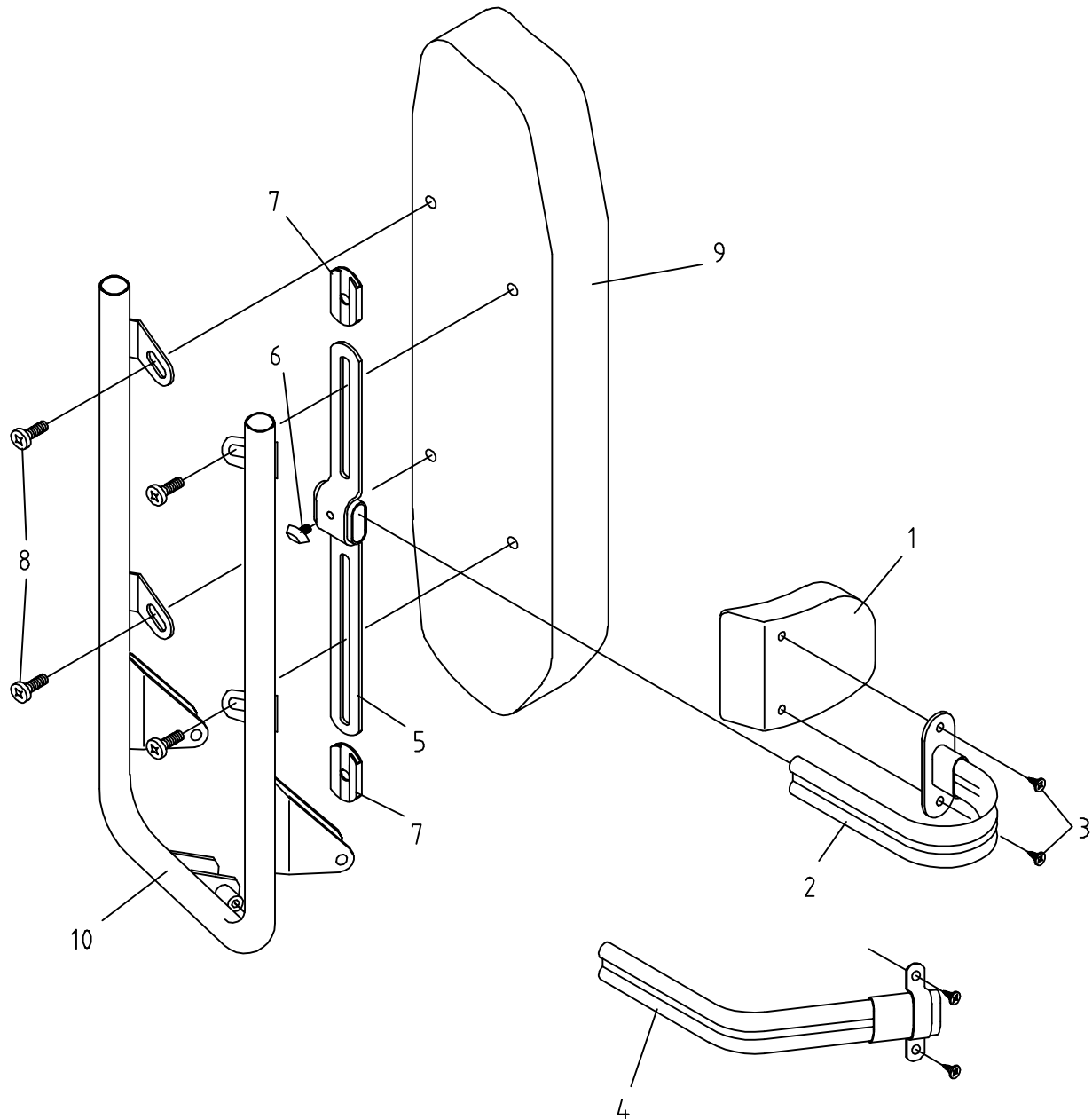
Denna ritning får ej kopieras eller överlåtas utan tillstånd av Hantverksdesign & Rehab.prod. AB



Pos	Art.no.	Description	Incl.
	13 163-1	Thoracic support, small, standard profile, blue	1-3
	13 163-3	Thoracic support, small, standard profile, grey	1-3
	13 168-1	Thoracic support, big, standard profile, blue	1-3
	13 168-3	Thoracic support, big, standard profile, grey	1-3
	13 145-1	Thoracic support, small, straight profile, blue	1+3-4
	13 145-3	Thoracic support, small, straight profile, grey	1+3-4
	13 155-1	Thoracic support, big, straight profile, blue	1+3-4
	13 155-3	Thoracic support, big, straight profile, grey	1+3-4
1	45 431	Cover, small, blue	
	46 431	Cover, small, grey	
	45 432	Cover, big, blue	
	46 432	Cover, big, grey	
3	81 415-1	Screw, p. /10 pcs	
5	13 190-5	Fastening, pair cpl.	5-7
	13 190-2	Fastening, right cpl.	5-7
	13 190-3	Fastening, left cpl.	5-7
6	81 942	Knob	
7	13 199-1	Plastic housing, p./ 4 pcs	
9		Back cushion , see page 26.2	
10		Back frame, see page 2.3	

Bålstöd kompl. med beslag

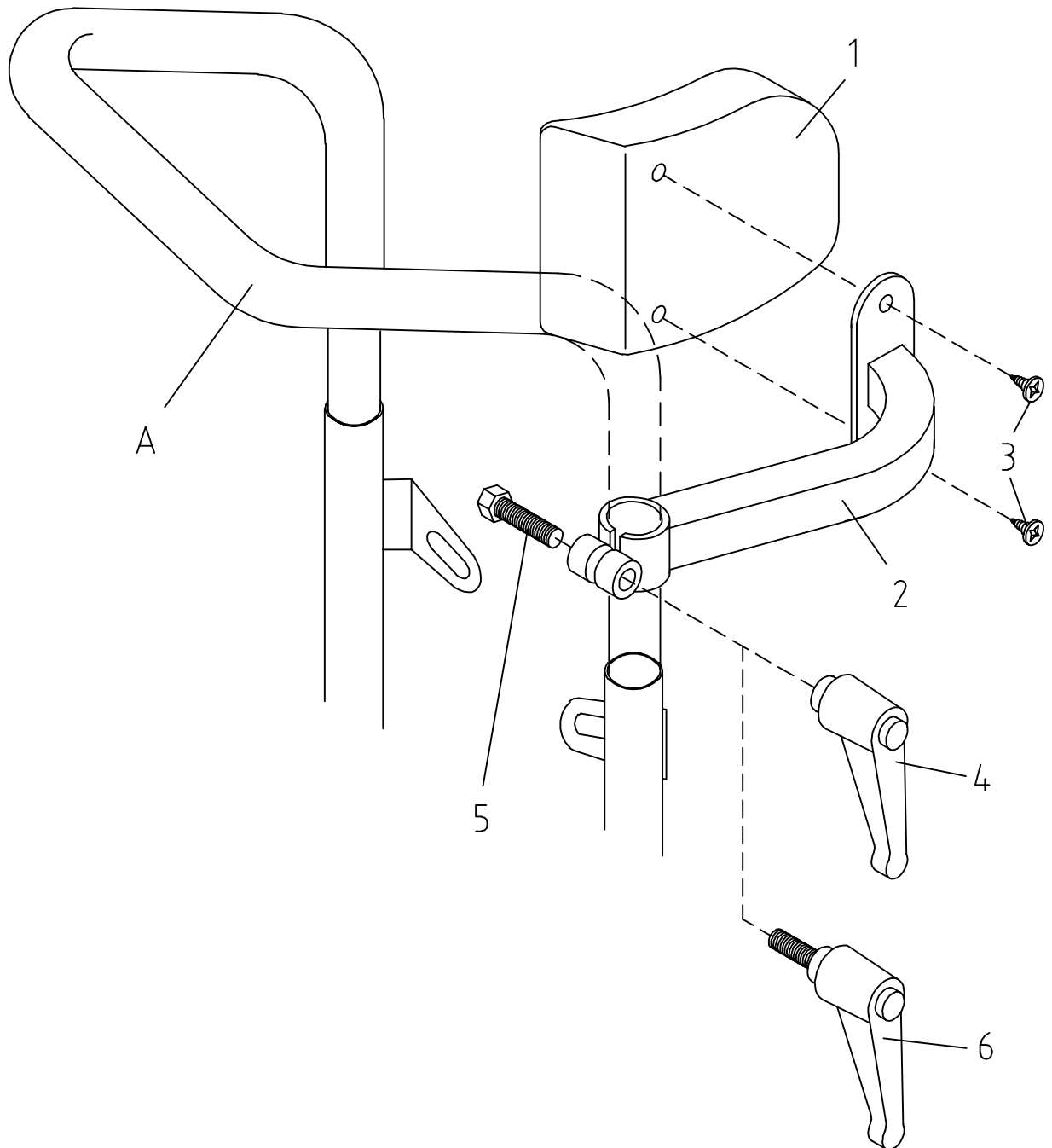
Denna ritning får ej kopieras eller överlåtas utan tillstånd av Hantverksdesign & Rehab.prod. AB



Pos	Art.no.	Description	Incl.
	13 205-1	Shoulder support, blue	1-5
	13 205-3	Shoulder support, grey	1-5
1	45 432	Cover, blue	
	46 432	Cover, grey	
3	81 415-1	Screw, p./10 st	
4	81 922	Knob M8	
5	81 204	Screw M6S M8x30	
A		Push bar	

Axelstöd kompl

Denna ritning får ej kopieras eller överlåtas utan tillstånd av Hantverksdesign & Rehab.prod. AB

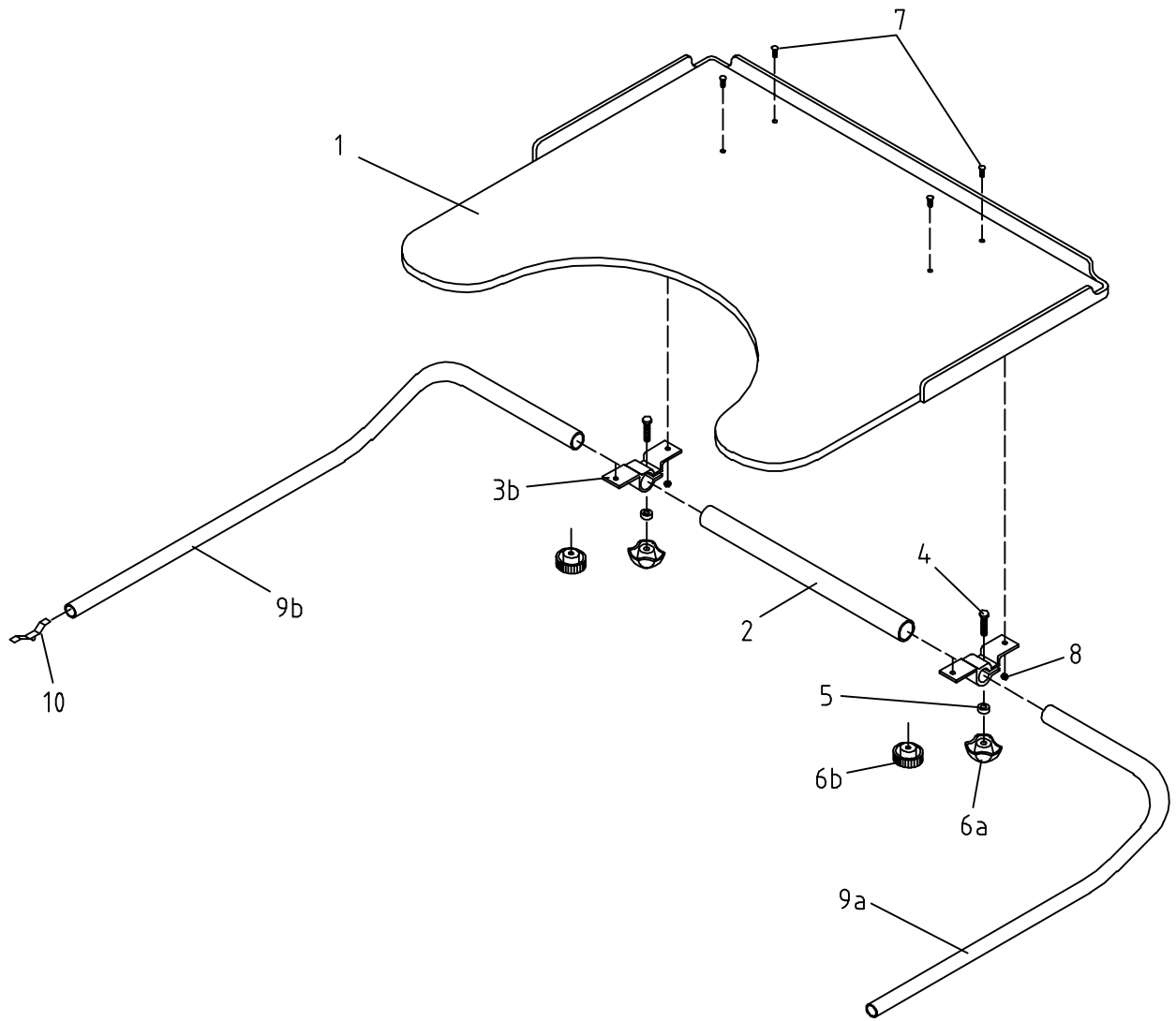


Pos	Art.no.	Description	Incl
	12 955	Wooden/Vinyl Tray, sw 45	1-8
	12 956	Wooden Tray, sw 45	1-8
	12 965	Wooden/Vinyl Tray, sw 38	1-8
	12 966	Wooden Tray, sw 38	1-8
	12 970	Plexiglas Tray, sw 45	1-8
	12 975	Plexiglas Tray, sw 45	1-8
2	12 920	Tray bracket	2-6
4	81 229	Screw M6x30	
5	81 632	Spacer	
6a			
6b	81 920-5	Knob M6	
7	81 443	Blind rivet	
8			
9	12 930	Tray bar, pair	9a-9b
10	12 935	Locking knob	



BORD kompl. med beslag

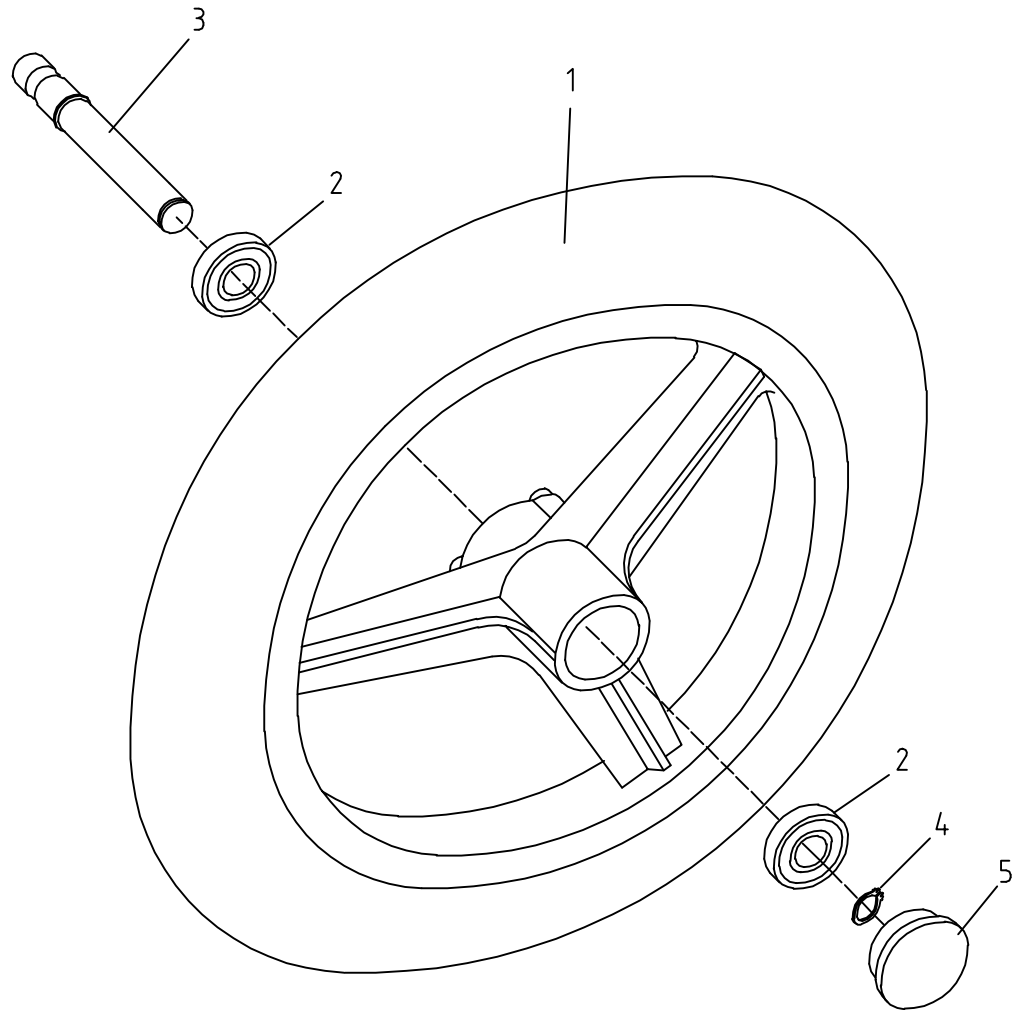
Denna ritning får ej kopieras eller överlåtas utan tillstånd av Hantverksdesign & Rehab.prod. AB



Pos	Art.no.	Description	Incl
<b>WHEEL for diskbrake with PU-tyre</b>			
1	15 208-5	Wheel cpl, with PU-tyre and axle	1-5
	85 126	PU-Tyre	
2	82 501	Bearing	
3	15 235-1	Axle, with circlips	3-4
4	81 735	Circlips SGA 12	
5	82 102-1	Plug, p. /10 pcs	

## HJUL 12.5" kompl

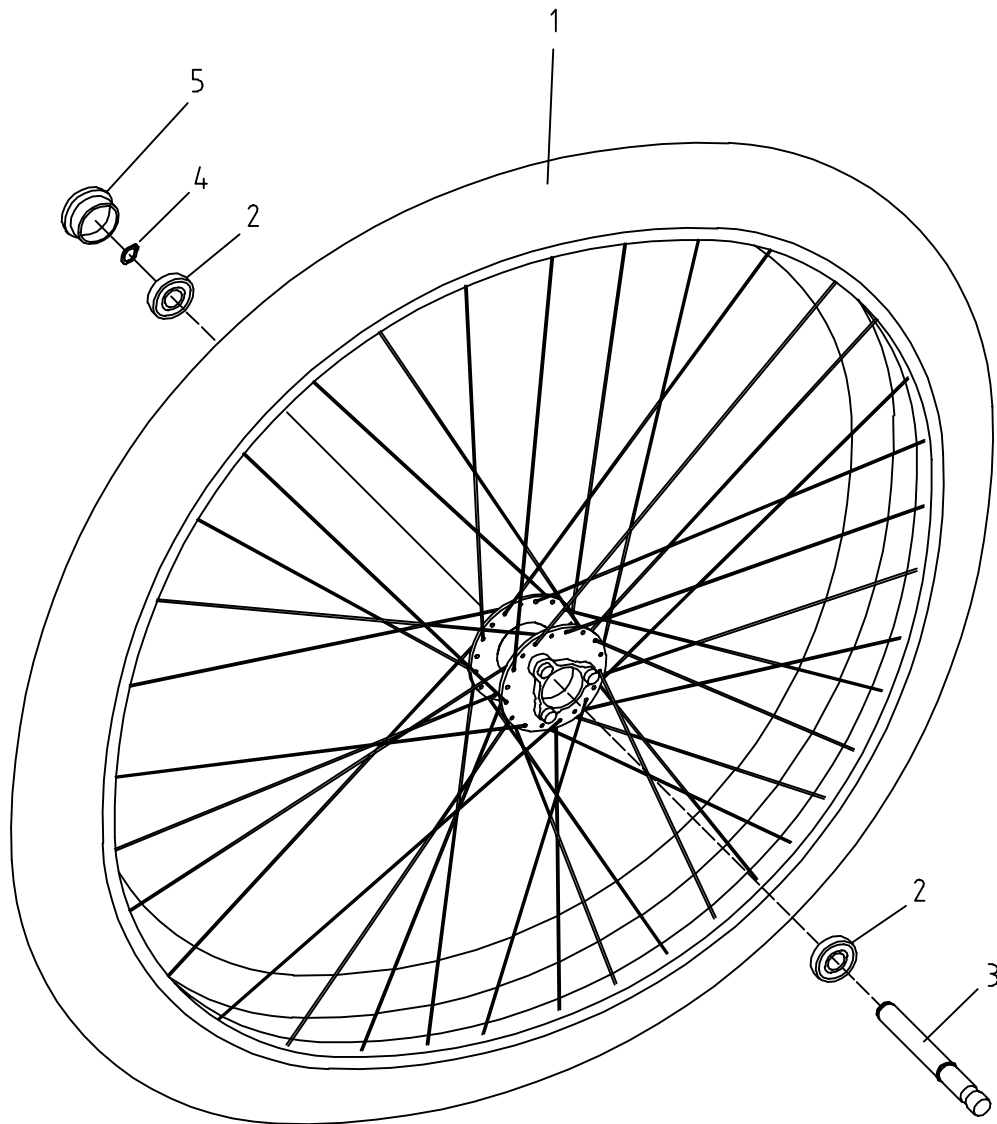
Denna ritning får ej kopieras eller överlåtas utan tillstånd av  
Hantverksdesign & Rehab.prod. AB



Pos	Art.no.	Description	Incl
<b>WHEEL for diskbrake with PU-tyre</b>			
1	15 408-5 85 146	Wheel 24" cpl, with PU-tyre and axle Tyre PU 24"	1-5
	15 508 85 156	Wheel 20" cpl, with PU-tyre and axle Tyre PU 20"	1-5
2	82 501	Bearing	
3	15 438-1	Axle, with circlips	3-4
4	81 735	Circlips SGA 12	
5	82 102-1	Plug, p. /10 pcs	
<b>Wheel widening adaptor, 24" and 20"</b>			
	14 501-9	Wheel widening adaptor, kit	
	15 439-1	Wheel axle, extended, with circlips	

HJUL 24" och 20" kompl

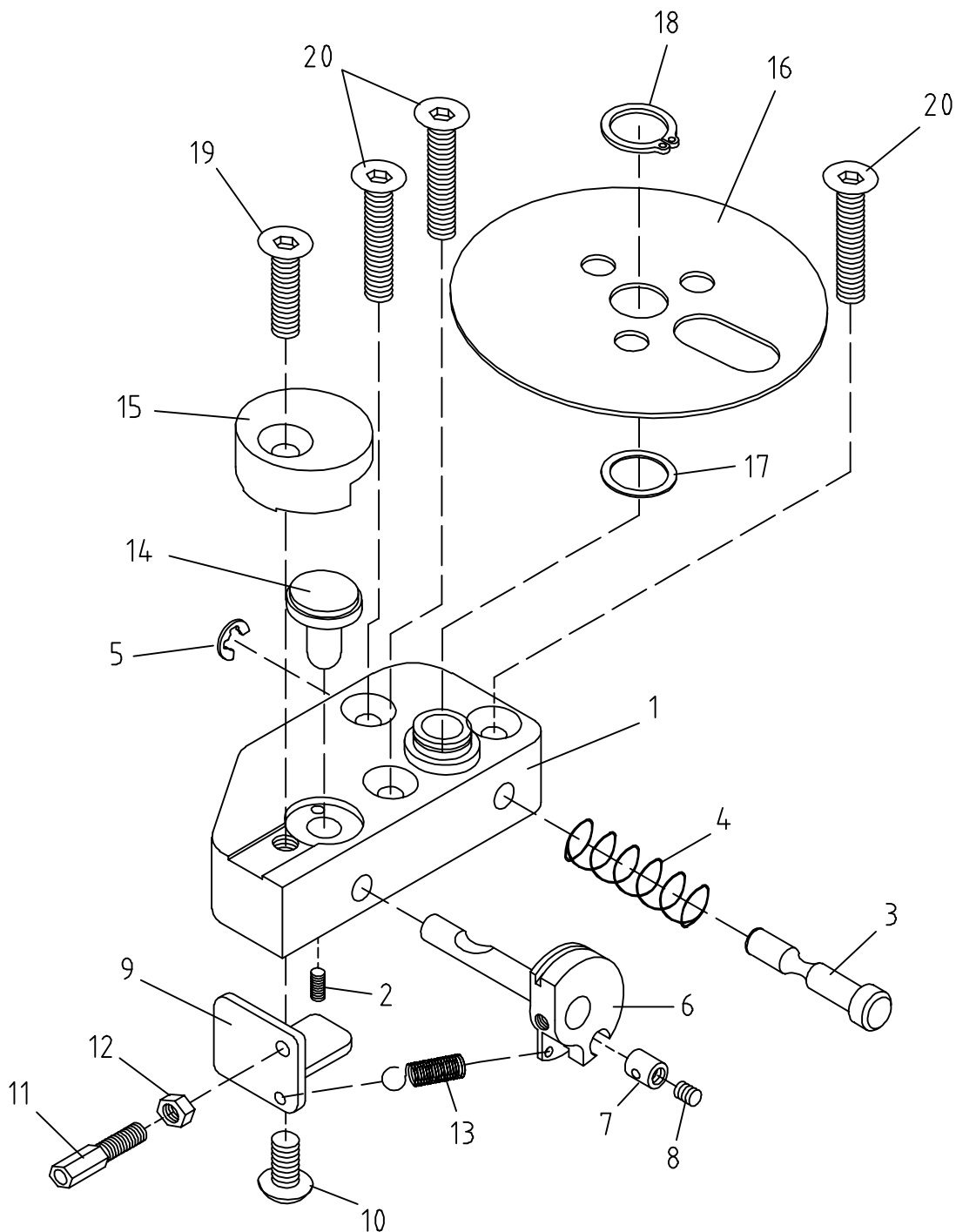
Denna ritning får ej kopieras eller överlämnas utan tillstånd av Hantverksdesign & Rehab.prod. AB



Pos	Art.no.	Description	Incl
1	16 520	Fastening right, cpl	1-19
	16 525	Fastening left, cpl	1-19
2	81 318	Screw P6SS 4x8	
3	16 527	Pin	
4	81 859	Spring	
5	81 715	Locking washer	
6	16 530	Brake pin right	
	16 535	Brake pin left	
7	70 218-1	Locking nippel	7-8
8	81 312-1	Screw, p/10 pcs	
9	16 508	Spring bracket, right	
	16 509	Spring bracket, left	
10	81 245	Screw K6S M8x10	
11	81 391	Adjusting screw	11-12
12	81 505	Nut M6	
13	81 863	Spring	
14	16 523	Brake piston	
15	70 224	Brake block	
16	16 516	Brake disk	
17	81 643	Washer	
18	81 736	Circlips SGA 17	
19	81 223	Screw F6S M8x30	
20	81 222	Screw F6S M8x35	

Hjulinfästning kompl. för skivbroms

Denna ritning får ej kopieras eller överlåtas utan tillstånd av Hantverksdesign & Rehab.prod. AB



Pos	Art.no.	Description	Incl.
	10 280	Pushbar sw45 cpl	1-14
	30 280	Pushbar sw38 cpl	1-14
	10 290	Pushhandle, cpl set, pair	1-12 + 14-17
	10 295	Pushhandle , set	15-17
3	10 795	Locking knob	
4	81 340	Screw K6S M6x30 fzb	
5	13 847-5	Brakehandle cpl.	5 -8
6	13 848	Sleeve	
7	82 159	Handgrip softex 12mm	
8	81 154	Screw MRX 4x8 spiral	
8b	82 407	O-ring	
9	82 471	Wire brakhandle	
	13 836	Wire and housing	9+12
10	10 288-9	Pin	
11	81 783	End sleeve M5	
12	82 492	Housing (brakewire)	
13	10 283-1	Bar sw45 cpl	13-13a
	30 283-1	Bar sw38 cpl	13-13a
13a	13 710	Cover for pushbar, pair	
14	81 340	Screw K6S M6x30 fzb	
16	10 279-5	Washer	
17	81 191	Screw M6SF M8x16 black	

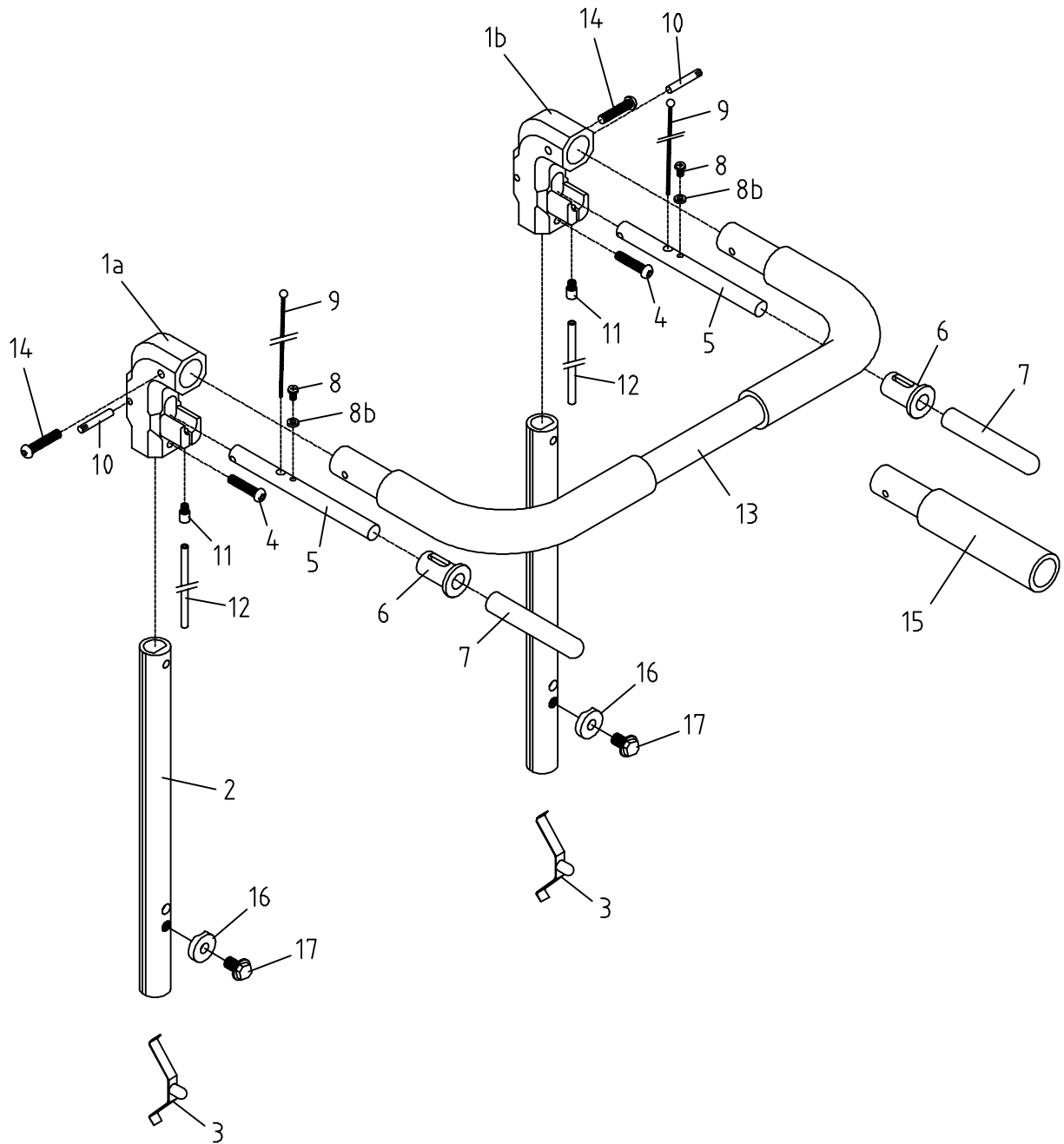
## Complement for extended pushhandle

	10 280-5	Pushbar sw45 cpl extended	1-14
	30 280-5	Pushbar sw38 cpl extended	1-14
	10 290-5	Pushhandle, cpl set, pair extended	1-12 + 14-17
9	82 474	Wire, handbrake extended	
	13 836-5	Wire and housing extended	9+12
12	82 485	Housing extended	



Körbygel mod. -02

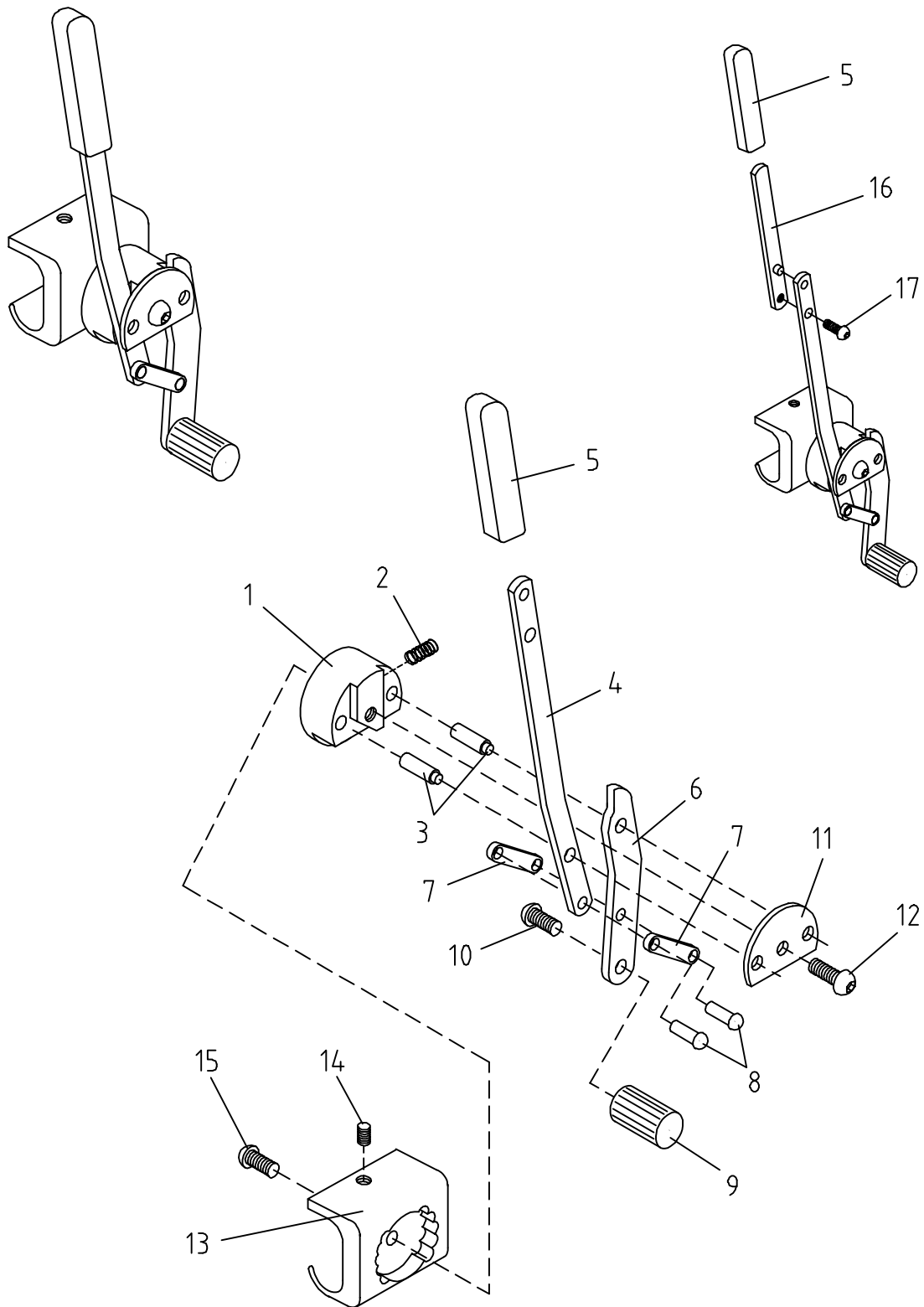
Denna ritning får ej kopieras eller överlåtas utan tillstånd av Hantverksdesign & Rehab.prod. AB



Pos	Art.no.	Description	Incl
	17 550	Parking brake, right, cpl	1-15
	17 555	Parking brake, left, cpl	1-15
	17 550-9	Parking brake, widened, right, cpl	1-15
	17 555-9	Parking brake, widened, left, cpl	1-15
2	81 872	Spring	
5	82 156	Handtgrip	
9a	17 567	Brake pin,td	
9b	17 568	Brake pin, long	
10	81 294	Screw K6S M6x16	
12	81 293	Screw K6S M6x10	
13	17 561-9	Fastening, cpl	13-14
14	81 310	Screw SK6SS 5x8	
15	81 131	Screw MFX 6x12	
16	17 575	Lever extending, set	16-17
17	81 121	Screw MRX 6x10	

Parkeringsbroms Däckbroms

Denna ritning får ej kopieras eller överlåtas utan tillstånd av Hantverksdesign & Rehab.prod. AB



Pos	Art.no	Description
<b>1</b>		<b>SEAT CUSHION SW 45</b>
	<b>12 181</b>	<b>Seat cushion std, sw 45, blue</b>
	47 112	Cover seat std, sw 45, blue
	<b>12 182</b>	<b>Seat cushion incont. protected, sw 45, blue</b>
	47 113	Cover seat incont. protected, sw 45, blue
	<b>12 183</b>	<b>Seat cushion , sw 45, grey vinyl</b>
	47 114	Cover seat, sw 45, grey vinyl
<b>1</b>		<b>SEAT CUSHION SW 38</b>
	<b>22 181</b>	<b>Seat cushion std, sw 38, blue</b>
	47 122	Cover seat std, sw 38, blue
	<b>22 182</b>	<b>Seat cushion incont. protected, sw 38, blue</b>
	47 123	Cover seat incont. protected, sw 38, blue
	<b>22 183</b>	<b>Seat cushion , sw 38, grey vinyl</b>
	47 124	Cover seat, sw 45, grey vinyl
<b>1</b>		<b>SEAT CUSHION CHILD</b>
	<b>32 181</b>	<b>Seat cushion std, child, blue</b>
	47 132	Cover seat std, child, blue
	<b>32 182</b>	<b>Seat cushion incont. protected, child, blue</b>
	47 133	Cover seat incont. protected, child, blue
	<b>32 183</b>	<b>Seat cushion , child, grey vinyl</b>
	47 134	Cover seat, child, grey vinyl
<b>2</b>		<b>BACK CUSHION SW 45</b>
	<b>12 281</b>	<b>Back cushion std, sw 45, blue</b>
	47 212	Cover back std, sw 45, blue
	<b>12 282</b>	<b>Back cushion std, 10 cm longer, sw 45, blue</b>
	47 217	Cover back std, 10 cm longer, sw 45, blue
	<b>12 283</b>	<b>Back cushion std, sw 45, grey vinyl</b>
	47 214	Cover back std, sw 45, grey vinyl
	<b>12 285</b>	<b>Back cushion contoured, sw 45, blue</b>
	47 215	Cover back contoured, sw 45, blue
	<b>12 286</b>	<b>Back cushion contoured, 10 cm longer, sw 45, blue</b>
	47 218	Cover back contoured, 10 cm longer, sw 45, blue
	<b>12 287</b>	<b>Back cushion std, 20 cm longer, sw 45, blue</b>
	47 219	Cover back std, 20 cm longer, sw 45, blue
<b>2</b>		<b>BACK CUSHION SW 38</b>
	<b>22 281</b>	<b>Back cushion std, sw 38, blue</b>
	47 222	Cover back std, sw 38, blue
	<b>22 282</b>	<b>Back cushion std, 10 cm longer, sw 38, blue</b>
	47 227	Cover back std, 10 cm longer, sw 38, blue
	<b>22 283</b>	<b>Back cushion std, sw 38, grey vinyl</b>
	47 224	Cover back std, sw 38, grey vinyl
	<b>22 285</b>	<b>Back cushion contoured, sw 38, blue</b>
	47 225	Cover back contoured, sw 38, blue
	<b>22 286</b>	<b>Back cushion contoured, 10 cm longer, sw 38, blue</b>
	47 228	Cover back contoured, 10 cm longer, sw 38, blue
	<b>22 287</b>	<b>Back cushion std, 20 cm longer, sw 38, blue</b>
	47 229	Cover back std, 20 cm longer, sw 38, blue
<b>2</b>		<b>BACK CUSHION CHILD</b>
	<b>32 281</b>	<b>Back cushion std, child, blue</b>
	47 232	Cover back std, child, blue
	<b>32 283</b>	<b>Back cushion std, child, grey vinyl</b>
	47 234	Cover back std, child, grey vinyl

## SITS- och RYGGDYNOR avtagbara

Denna ritning får ej kopieras eller överlåtas utan tillstånd av  
Hantverksdesign & Rehab.prod. AB

