

Cover for push bar

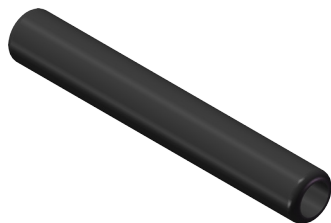
User manual / Assembly instructions

Page 1 (1)

Art. no.: 13712

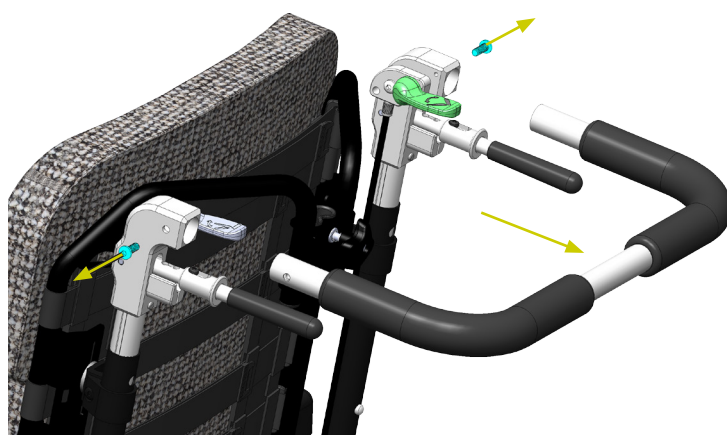
Parts included

2 x

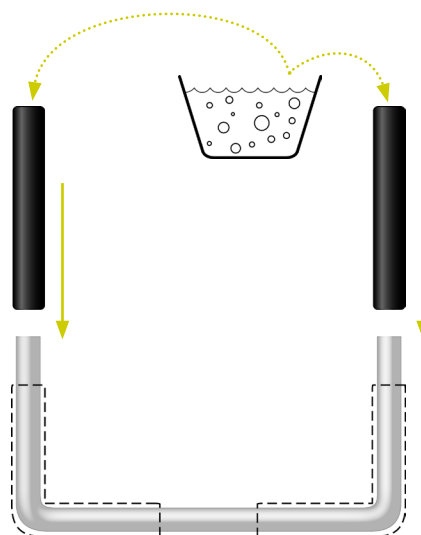


Assembly

1



2



1. Remove screws. Pull out the push bar from the frame.

2. Use mild soap solution to wet the inside of the covers. Slip them on to the push. Wipe away any excess solution.

Note: It will take a few hours, or up to a full day, for the covers to be completely dry and firmly attached.

3. Reattach the push bar to the frame by pushing it in place and fastening the screws.

Note: Be careful when fastening the screws as to not strip the aluminium threads in the frame.

4. Check that the push bar is properly attached before using the wheelchair.

Use and Care instructions

The covers can be cleaned by wiping with all-purpose cleaner or hand sanitizer. For further information see the Maintenance Instructions, art.no. 95730-1.