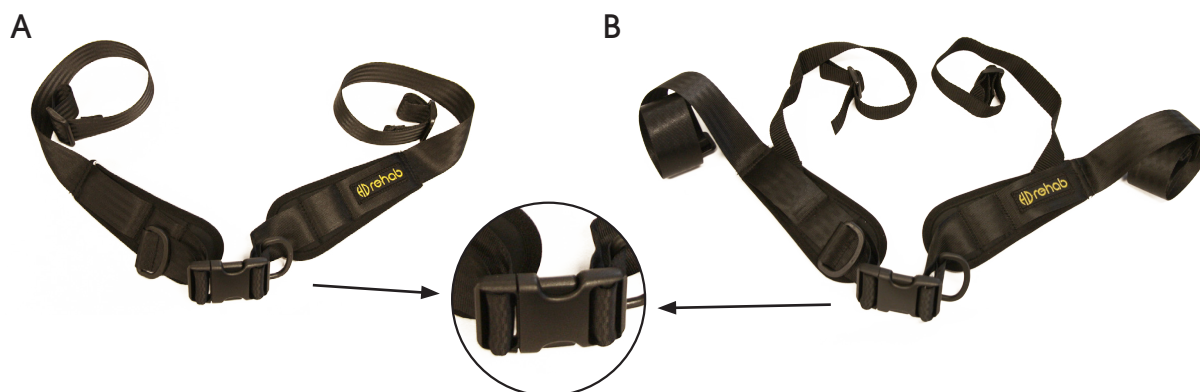


# Positioning Belts and Mounts for HD Balance

## Positioning belts

Positioning belts are available with two mounting points, called 2-point belts (A), and with four mounting points, called 4-point belts (B). Belts are easily adjusted in length, with two tightening straps that are drawn from the middle. A buckle with buttons on the sides is used to lock the belt. The belt is padded for maximum comfort.

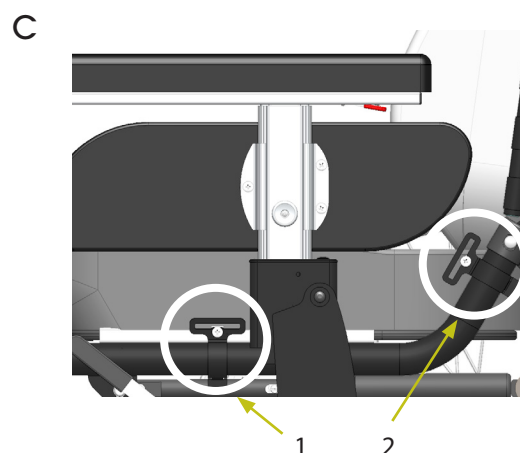


### 2-point Belt

The 2-point belt is the standard choice when the user needs support and fixation of the pelvis, but sits relatively still in the wheelchair. The belt is attached to the seat frame by the belt mounts, either with a forward placement (1 in figure C) or a back placement (2 in figure C).

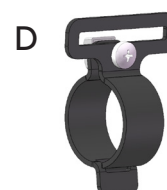
### 4-point Belt

The 4-point belt is used when the user needs support and optimal fixation of the pelvis. This can be necessary in cases where the user has a lot of movement and/or slides forward in the wheelchair. The belt is attached to the seat frame by two belt mounts on each side, see 1 and 2 in figure C.



## Mounts

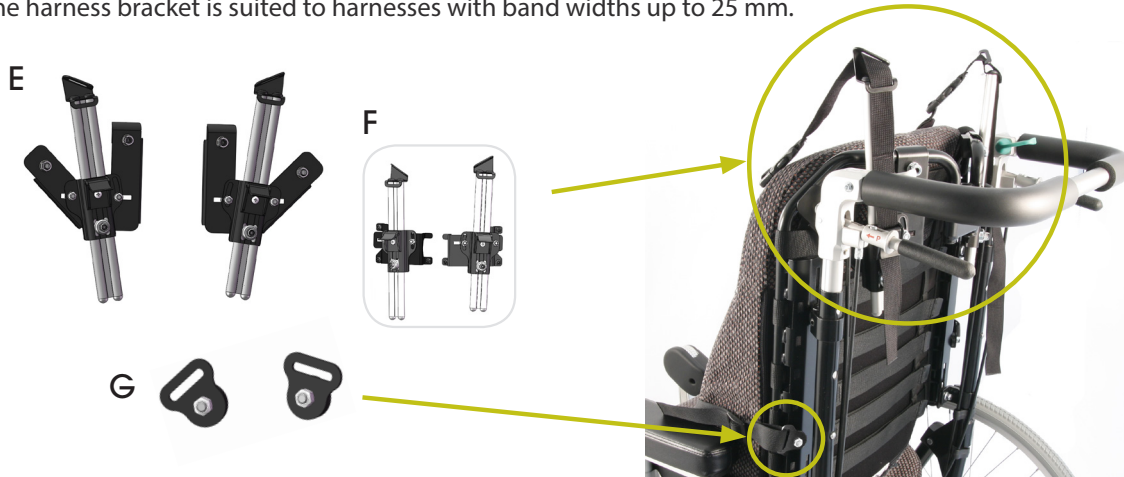
All belts are intended to be used with belt mounts (D). The mounts can be attached in different positions on the seat frame of the wheelchair for the desired placement of the belt (C). Belts and belt mounts can be ordered separately.



## Harness Bracket

The harness bracket is intended for use with chest harnesses, sternum supports, and other harnesses for the trunk that have four attachment straps. It consists of two adjustable mounts for the higher straps (E: Flexi-back, F: Solid back) and two attachment brackets for the lower straps (G). The upper mounts are adjustable in height, lateral position, and angle. Both lateral and angular adjustment are used to alter the distance between mounts. The lower brackets are secured in the lower holes on the sides of the back system.

The harness bracket is suited to harnesses with band widths up to 25 mm.



## Measurements - Harness Bracket

The upper mount height adjustments affect how far apart they can be. The higher they are the wider the possible span (a). The height (b) is measured from the top edge of the Flexi-back. See info sheet Backrest Systems (art.nr. 95941-1) for measurements of the back support. Measurements given here are for a Flexi-back but the adjustment intervals for Solid back are similar.

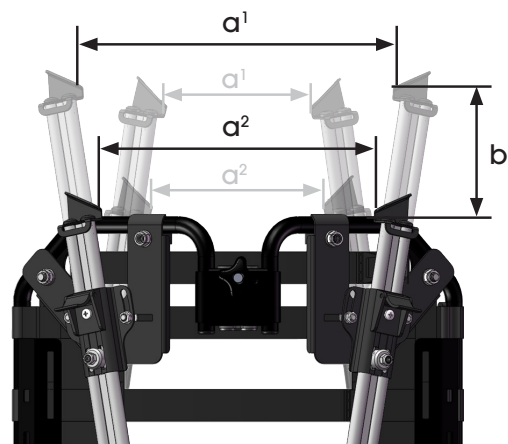
Table 1 - Dimensions - harness bracket settings [cm]

Back width	a <sup>1</sup> min	a <sup>1</sup> max	a <sup>2</sup> min	a <sup>2</sup> max	b min	b max*
38 cm	13	28	16	25	1	12
42 cm	16	32	19	28	1	12
46 cm	19	36	22	32	1	12
50 cm	23	39	25	35	1	12

<sup>1</sup> Distance between mounts in the highest possible position.

<sup>2</sup> Distance between mounts in the lowest possible position.

\* The maximum width setting is limited in certain cases depending on the height setting of the push bar. When using a wider back system, the seat width of the wheelchair limits the maximum width dimension. The settings which cannot be achieved in these cases, however, are ones that are very rarely used.



## Keep in mind

- The belt is a positioning belt and should not be confused with a safety belt for vehicle transport.
- Special restrictions on the use of belts may exist. For more information contact the appropriate board of health and welfare.
- The prescriber must complete a risk assessment for the use of a belt for the individual user.
- A chest harness must always be used together with a positioning belt for the pelvis.
- The manufacturer of the harness is responsible that the harness is safe to use. See the user guide for each respective harness to see how it should be positioned on the user.

## Article numbers

All article numbers are found in the Prescription Form, art.nr. 95750-1. Also refer to "Changes Permitted While Maintaining CE Marking", art.nr. 95724-1, and "List of Combination Agreements", art.nr. 95232.