

Calf supports for HD Balance

There are four alternative calf supports: Separate Calf Supports (A), One Piece Calf Support (B), Calf Panel (C), and Calf Strap (D).



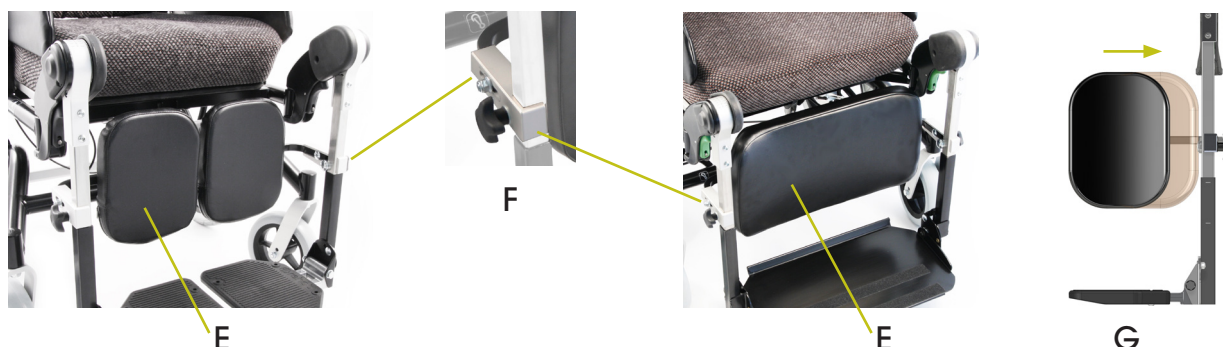
Separate Calf Supports / One Piece Calf Support

Separate calf supports are part of the standard configuration of HD Balance, if no other choice is made. One piece calf support can be used if a full supporting surface without gaps is required, for example if the user has involuntary leg movements. It can also be used for increased legrest stability when needed.

Separate and One piece calf supports consist of calf pad (E) and calf pad bracket (F).

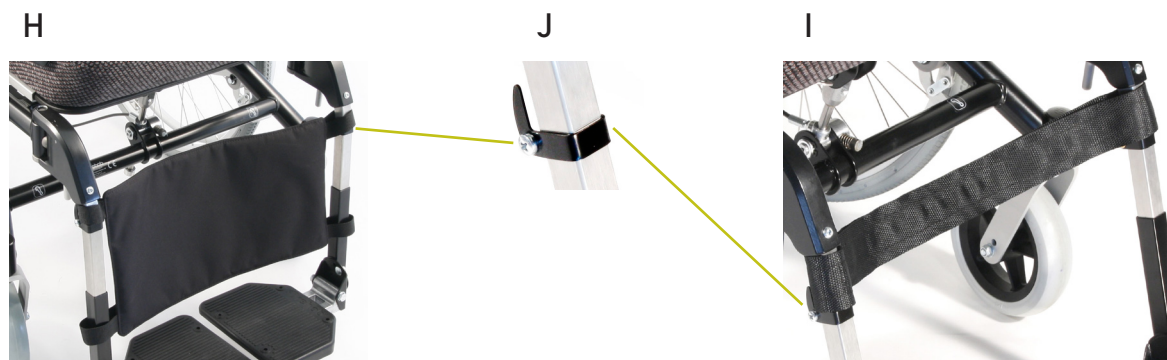
These calf supports are continuously adjustable in height along the legrest tubes. The calf pads are adjustable 3 cm in depth, and the angle is continuously adjustable. As of spring 2015, the Separate calf supports can be laterally adjusted in a continuous range of 4,5 cm (G).

The Separate calf supports are also available in 2 extra deep versions, +3 cm and +5 cm.



Calf Panel / Calf Strap

Calf panel (G) and Calf strap (H) can be used if a simpler calf support is desired. They are attached around the legrest tubes with velcro. Mounts (I) are used to maintain the height.

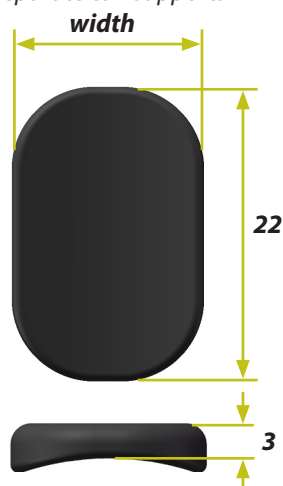


Dimensions

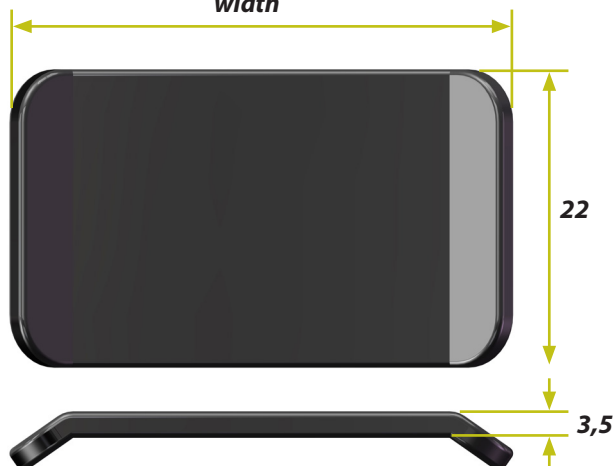
Table 1 - Calf support width [cm]

Modell	sb 38	sb 42	sb 46	sb 50
Separate calf supports	14	16	18	18
One piece calf support	33	37	41	45
Calf panel	41	41	49	49

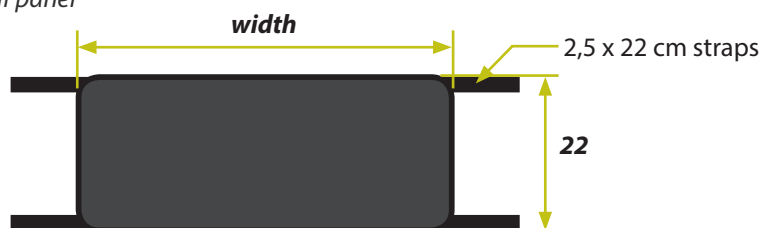
Separate calf supports



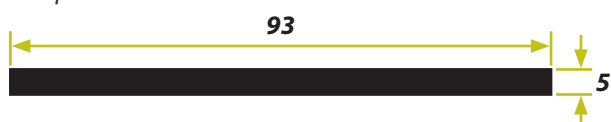
One piece calf support



Calf panel



Calf strap



Cover

The calf pads are covered with a wipe-clean artificial leather. The calf pad and calf strap can be washed at 60° C.

Keep in mind

- **One piece calf support** combined with one piece footrest increases the legrests stability and durability, and should be used for patients with significantly increased muscle tonus/spasticity. Use fixed angle legrests for maximum durability.
- **The calf pad** is not recommended for use on the short legrest for space reasons.
- **The calf strap** should not be used on angle adjustable legrests, as there is a risk that the narrow strap can cause harmful pressure.
- With the foot plate in the upper positions on the short and standard fixed-angle legrests, the **calf strap** has limited space.

Article numbers

All article numbers are found in the Prescription Form, art.no. 95750-1.