

# Thoracic Support for HD Balance

## Intended use

When positioning a user thoracic support can be used to improve the users posture and balance, to give stability in sitting, and to prevent the user from leaning to the side.

Thoracic support can also be used as side support to Headrest Side+ and Neckrest Side+ to position the users head. This info sheet does not contain complete information about this. Assessment of the users needs and potential risks must be made in each case. Supplementation of the existing manual may be necessary/ appropriate.



## Thoracic Support Standard

Thoracic Support Standard (A) is used when the user leans to the side and needs support to sit in an upright position. It can also be used in an effort to control a flexible spinal scoliosis or to prevent further deterioration.

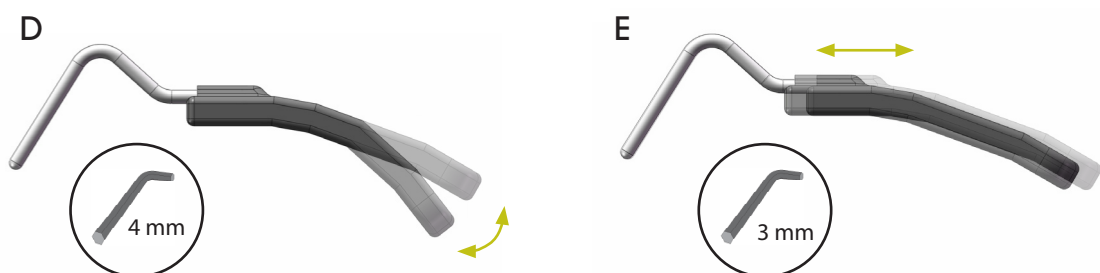
## Thoracic Support Adjustable

Thoracic Support Adjustable (B) offers support for users who lean sideways and diagonally forward. It can also be used to distribute the pressure over a larger area of the trunk. The adjustable thoracic support is available with short or long pad. The short pad is used for small and medium-sized users and the long pad is used for medium and large users.

## Thoracic Support Adjustable Mini

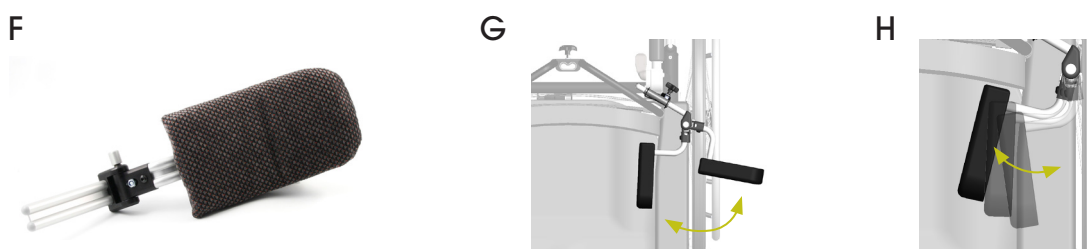
Thoracic Support Adjustable Mini (C) offers support for users who lean sideways and diagonally forward and need a smaller thoracic support cushion.

The pad of the Thoracic Support Adjustable and Thoracic Support Adjustable Mini can be set at an angle (D) and depth (E) using the supplied Allen keys.



## Swing Models

The three types of thoracic support are available in Swing models (F), which allow the pad to be swung away with the push of a button, e.g. in a transfer situation (G). The Swing support can also be set at any angle to the user's body (H). This angle is adjusted with the supplied Allen key.



### Narrow and wide position

All thoracic supports can be adjusted in width by moving the bend in its bracket. Additionally most thoracic supports are available with a bend for both narrow and wide position (I). The bend for narrow position is used for small or thinner persons and the bend for wide position is used for larger or wider persons. With the bend for narrow position the pad can be moved 5 cm further in than with the bend for wide position.

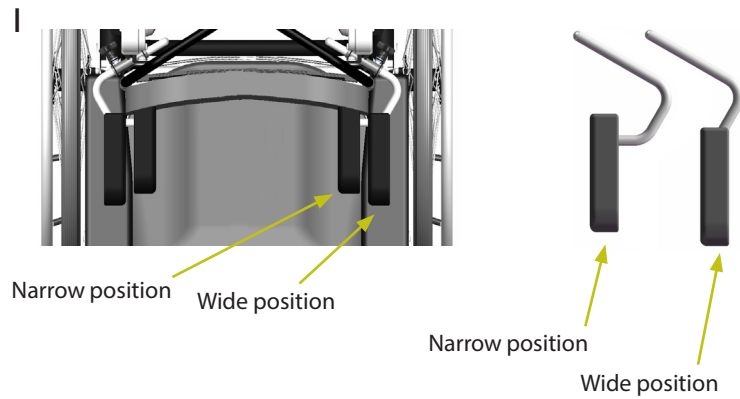


Table 1 - Versions

Modell	Narrow position	Wide position
Standard	x	x
Adjustable short	Only one bend	
Adjustable long	Only one bend	
Adjustable Mini	Only one bend	
Swing - Standard	x	x
Swing - Adjustable short	x	x
Swing - Adjustable long	x	x
Swing - Adjustable Mini	Only one bend	

### Brackets

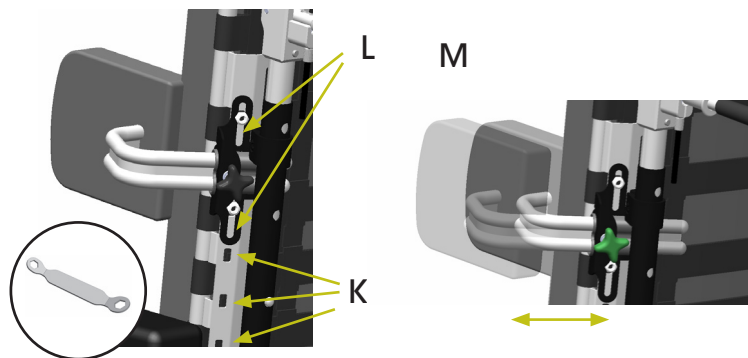
Brackets (J) for the thoracic supports are ordered separately.



### Adjustment

The thoracic supports are adjusted in height by mounting the the bracket in holes in the backrest (K). The bracket can then slide 3 cm in height (L). The wheelchairs supplied wrench is used (10 mm).

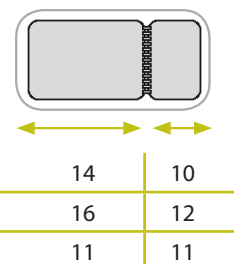
The thoracic supports are adjusted in width by loosening the knob and sliding the bend inwards / outwards in the bracket (M).



### Dimensions - Pads

Table 2 - Dimensions - pads

Model	height [cm]	depth [cm]	thickness [cm]
Standard	13	14	2,5
Adjustable short	13	24	3,5
Adjustable long	13	28	3,5
Adjustable Mini	8,5	22	2,5



## Setting Dimensions

Setting dimensions for thoracic supports, as shown in figure N, are given in Tables 3 and 4. All dimensions in cm.

Table 3 - Distance between pads (standard backrest width)

Seat width	Model	narrow pos.		wide position	
		a min	a max	a min	a max
38	Standard	25	35	35	44
	Adjustable	29	39	-	-
	Adjustable Mini	31	38	-	-
	Swing Standard	25	35	32	42
	Swing Adjustable	26	36	30	41
	Swing Adj. Mini	27	38	-	-
42	Standard	29	39	39	48
	Adjustable	33	41	-	-
	Adjustable Mini	35	42	-	-
	Swing Standard	29	39	36	46
	Swing Adjustable	30	40	34	45
	Swing Adj. Mini	31	42	-	-
46	Standard	33	43	43	52
	Adjustable	37	45	-	-
	Adjustable Mini	39	46	-	-
	Swing Standard	33	43	40	50
	Swing Adjustable	34	44	38	49
	Swing Adj. Mini	35	46	-	-
50	Standard	37	47	47	56
	Adjustable	41	49	-	-
	Adjustable Mini	43	50	-	-
	Swing Standard	37	47	44	54
	Swing Adjustable	38	48	42	53
	Swing Adj. Mini	39	50	-	-

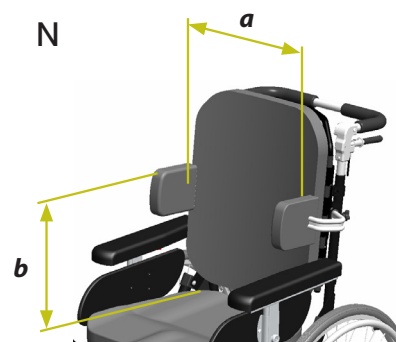


Table 4 - Distance from the seat plate to the top of thoracic support. (Lowest possible setting is limited by the armrest height.)

Model	b min (measured with the armrest in the lowest position)	b max (measured with the backrest in the highest position)
Standard	33* / 39	44
Adjustable	33* / 39	44
Adjustable Mini	29* / 35	42

\* When using armrests with low height.

Where no measures are given there is only one bend available for that model.

When adapters are used for thoracic support brackets the width (a) increases by 4 cm.

## Covers

Thoracic Supports Standard and Adjustable come with grey Trevira fabric upholstery. They can also be ordered in black Trevira or black disinfectable Dartex. Thoracic Support Adjustable Mini comes with black Trevira. All covers are removable and washable at 60°C. Upholstery can also be ordered separately.

## Keep in mind:

- If the backrest cushion is equipped with supporting wings, the thoracic supports can be used outside the wings to distribute the pressure over the users trunk.
- Note that the use of thoracic supports requires careful individual fitting, to get good support and to avoid pressure that can cause injury.
- Avoid placing the support near the patient's armpit as this area is generally considered to be intimate and sensitive to pressure.
- If you are using a narrow back system, -4 cm, an adapter is required to mount the brackets.
- If you are using a narrow back system, -4 cm, the thoracic supports will end up 2 cm wider due to the adapter. I.e the measure *a* min and *a* max will be 4 cm more.
- If you are using a wider back system, +8 cm, back spacers are required to be able to adjust the thoracic support. Read more in info sheet 95945-1.

## Article numbers

Article numbers for thoracic supports and brackets are found in the Prescription form (art. no. 95750-1).