

Oxygen tank holder for HD Balance

Art. no: 56904, 56905

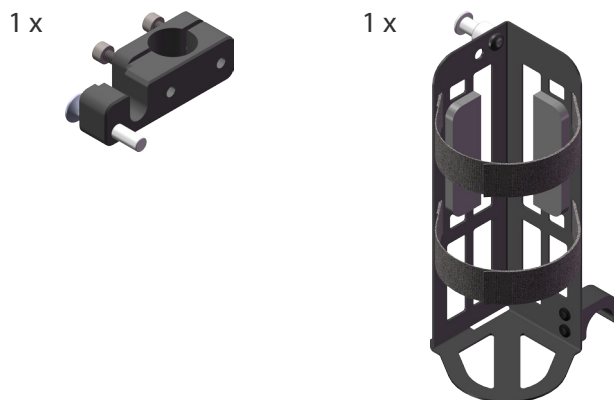
User Manual / Assembly Instructions

Page 1 (2)

Intended use

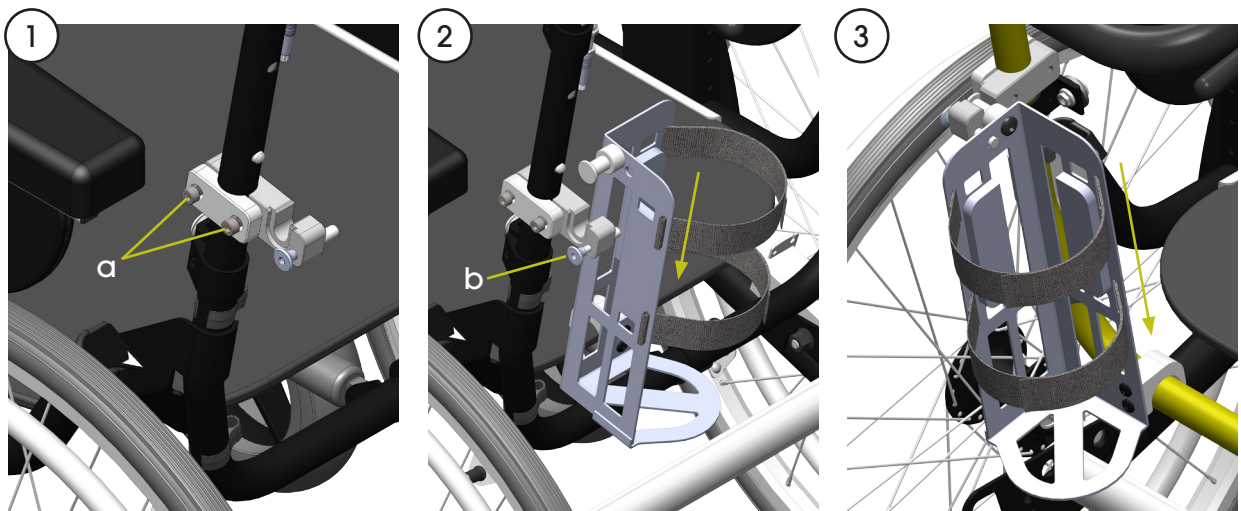
The oxygen tank holder is intended to be used on HD Balance wheelchairs. The smaller model (art. no. 56904) is suitable for 1 L oxygen tanks, the larger model (art. no. 56905) for oxygen tanks of 2 to 2,5 L. Oxygen tank used with this holder should be of the type LIV from AGA AB, or equivalent.

Parts included



Assembly

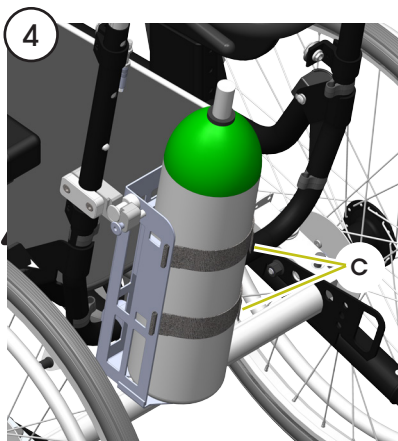
The oxygen tank holder is attached to the back frame as follows:



NOTE: The oxygen tank is not in the holder during assembly.

1. Place the clamping bracket on the left tube of the back frame, below the lowest height adjustment hole. Fasten with screws (a) but do not tighten them yet.
2. Pull out the pin (b) and place the holder in place on the clamping bracket, then release the knob.
3. Push the holder and clamping bracket downward until the foot of the holder rests on the horizontal tube of the back frame. Tighten the screws (a).

Check carefully that all brake and tilt adjustment wires are free and are not interfering with the holder.



4. Place the oxygen tank in the holder and tighten the velcro straps (c). Make sure the straps are pulled tight so that the oxygen tank sits steady in the holder.

The holder and oxygen tank can be placed together on the floor if needed.

For handling the oxygen tank and any accessories refer to the specific product's manufacturer.

Use and Care instructions

The oxygen tank holder can be cleaned by wiping with soap and water.



- *Make sure that problems or risks do not occur when the wheelchair adjustments are used.*
- *The oxygen tank holder entails increased risk of tipping, especially in a tilted position. Attention must be paid.*
- *Always use antitip protections.*
- *The oxygen tank holder should not be used together with the IV pole accessory.*
- *Maximum total weight for the oxygen tank and holder together is 6 kg.*