

Push handles, pair

User manual / Assembly instructions

Page 1 (1)

Parts included:

2 x



Assembling

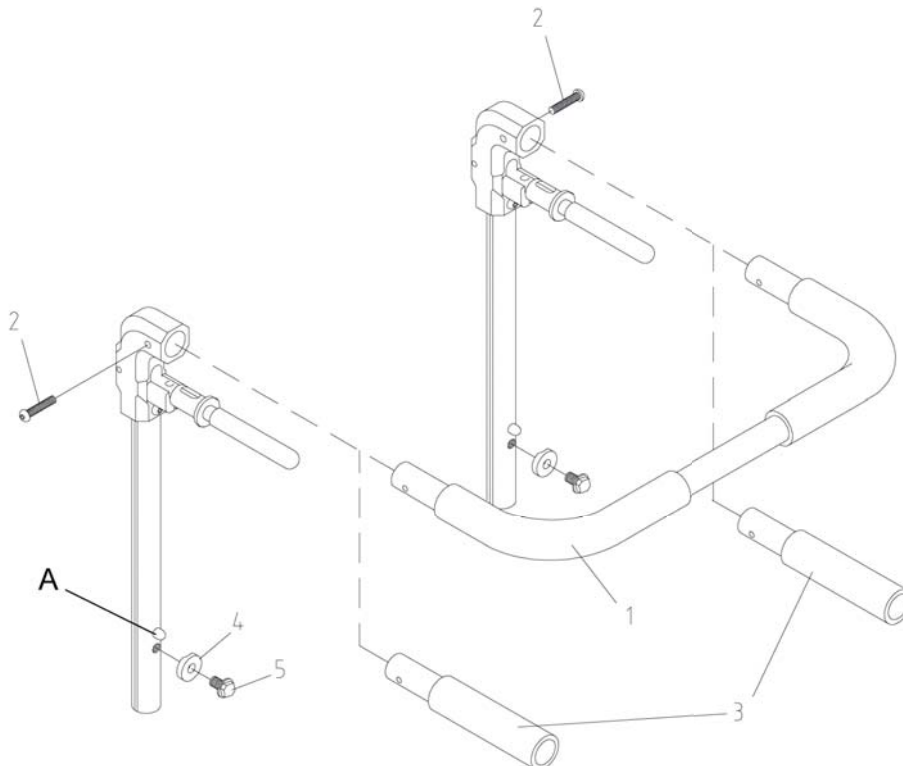
1. Unscrew the screws (2) completely and remove the push bar (1).
2. Fit the separate push handles (3) and secure them using the enclosed screws.
3. Check that the handles are firmly in place.

4. The height adjustment knob (A) cannot be used with separate push handles. Instead use the accompanying screws (5) with their washers (4).

Press the locking knob and raise the push handle about 15 mm. The push handle bar includes a threaded hole into which you are to fit the screw (5).

Note: Place the washer (4) between the screw and the backrest bar, with the curved side of the washer on the backrest bar.

Tighten the screw securely and check that the push handle is firmly in place.



Use and Care instructions

The push handles can be cleaned by wiping with soap and water. They can also be disinfected with hand sanitizer. For further information, see the Maintenance Instructions, art. no. 95730-1.