

Lock unit armrest, HD Balance

User manual / Assembly instructions

Page 1 (1)

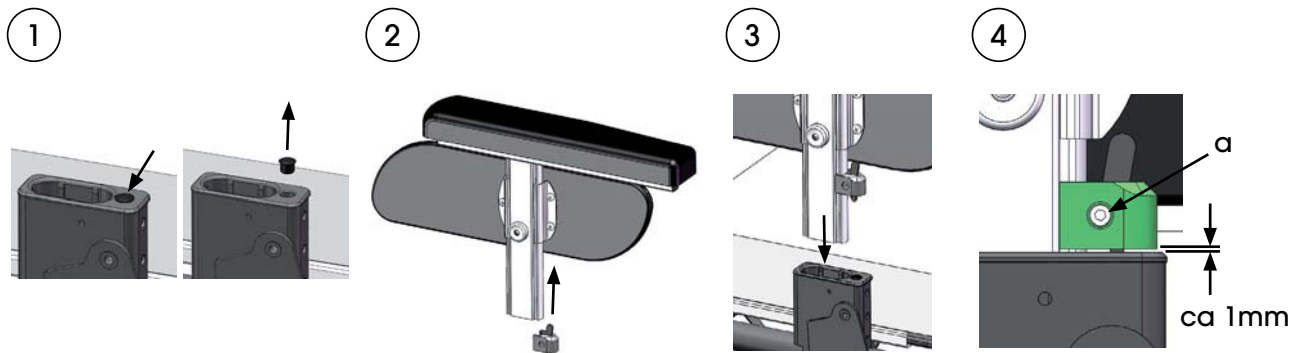
Intended use:

Lock units are used to lock the armrests in the seat frame on HD Balance wheelchairs. This may be necessary in cases where the patient's behavior is causing problems with the armrests.

Parts included:



Assembling



1. Carefully remove the small plastic disc on the armrest brackets with a knife or similar.
2. Thread one lock unit on one of the armrests. Make sure that it is mounted on the correct armrest (right - left), the screw should be accessible from the outside. Loosen the screw slightly if it doesn't slip on easily. Do not tighten the screw.
3. Hold the lock unit in place by hand while mounting the armrest on the wheelchair. Press down the armrest in the bottom of the bracket.
4. Push the lock unit downwards so the hook hits the hole and tighten the screw (a) when the locking device is in position according to Figure 4.
5. Try taking off the armrest a few times and see that the lock works and that it does not slide along the armrest profile. It might be difficult to lock in the beginning, if so press the lever and force it into the locked position a few times to clear the hole from excess plastic.
6. Finished

Use and Care instructions

To remove the armrest from the bracket; push the lever arm towards the armrest (1) then pull the armrest upward (2). Putting back the armrest on the wheelchair is done as usual. The lock unit locks automatically if it is mounted properly.

The lock unit can be cleaned by wiping with soap and water. For further information, see the Maintenance Instructions, art. no. 95730-1.

