

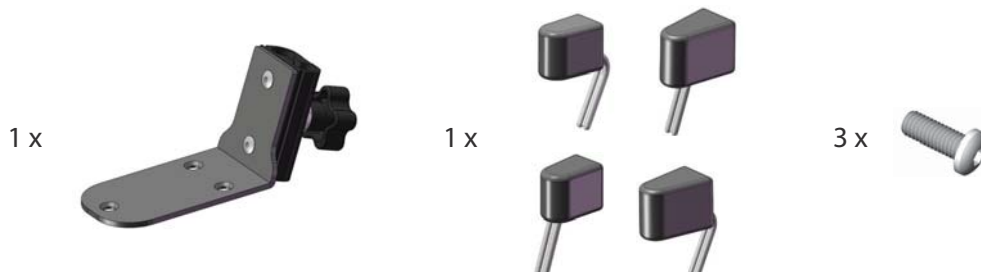
Pommel, HD Balance

Art. no.: 69620 (mount), 69605-2, 69606-2, 69615-2, 69616-2

User manual / Assembly instructions

Page 1 (1)

Parts included:



Assembling

Overview:

- The pommel comes in two sizes and two versions: Standard version (diagram 1) and front positioned version (diagram 2).
- The pommel consists of a pommel cushion with a bracket (6) and a pommel fastening (1).
- To use the pommel, the fastening must first be fitted onto the seat plate of the wheelchair.



Diagram 1. Standard pommel.



Diagram 2. Front positioned pommel.

Assembly, fastening: (Diagram 3)

(You will need an Allen key.)

Fit the fastening (1) onto the front, top edge of the seat plate (A), using the screws (2). The seat plate comes adapted for use with the fastening and includes three nuts. Tighten the screws securely.

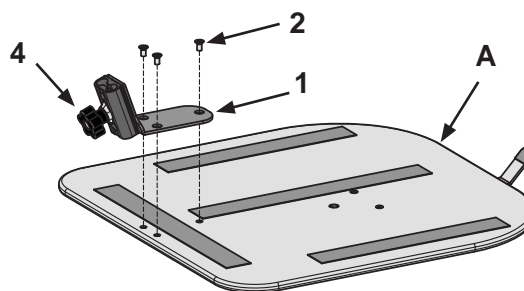


Diagram 3. Fastening of the mount.

Instructions for use:

Push the pommel down into the fastening, as shown in diagram 1 alt. 2. The position can be locked by tightening the knob (4).

The depth of the pommel can be adjusted by opening the underside of the cover; see diagram 4 alt. 5. This enables you to loosen the screw (5) slightly and set the bracket (6) in the desired position.

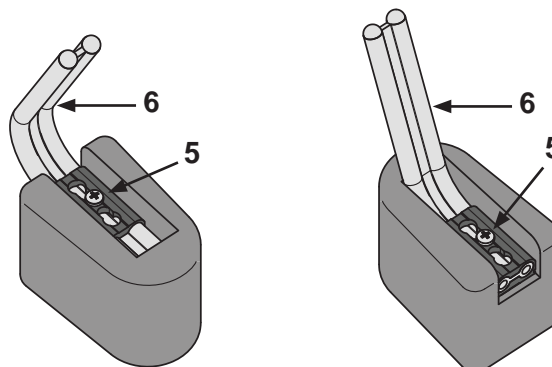


Diagram 4. Standard pommel.

Diagram 5. Front positioned pommel.