

# Gas spring standard for HD Balance and HD500, 600 & 650

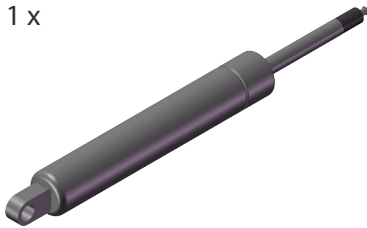
Art. no: 11160

## User manual / Assembly instructions

Page 1 (1)

### Parts Included

1 x

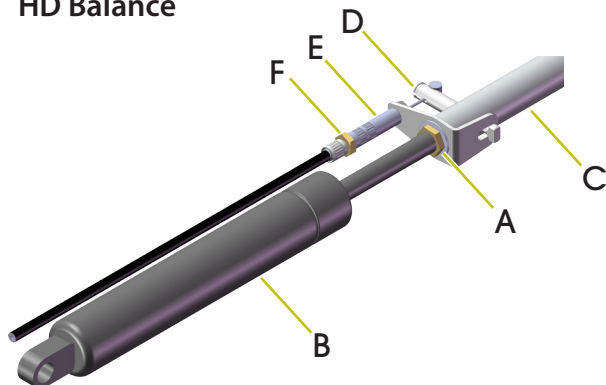


### Assembly

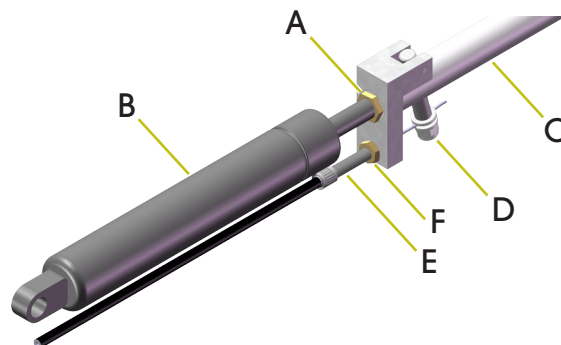
**Note:** The assembly must be performed by authorized personnel only.

Assemble the gas spring as follows. Assembly can be carried out without removing the gas spring holder and the wire connection from the wheelchair.

#### HD Balance

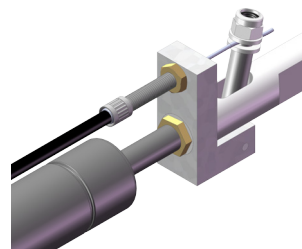


#### HD500, 600 & 650



1. Remove the cushions, seat plate, and armrests.
2. Free the gas spring from the back frame and fold the back frame forward.
3. Loosen the nut (A) slightly.
4. Unscrew the gas spring (B) to remove it.
5. Screw the nut (A) fully on to the new gas spring.
6. Screw the gas spring (B) into the holder (C).
7. Tighten the nut (A).
8. Check that the release mechanism (D) works properly. If necessary, you can adjust this using the adjusting screw (E). Secure the adjusting screw in place using the nut (F).

**Note:** On child wheelchair models the gas spring holder is fitted with the mechanism facing upward.



### Use and Care Instructions

See the Maintenance Instructions, art. no. 95730-1. Always replace damaged parts immediately.